



DISC BRAKES AUSTRALIA

PERFORMANCE CATALOGUE 2021

APRIL EDITION

5000SERIES



MANUFACTURING/QUALITY



DBA MANUFACTURING FACILITY IN SILVERWATER (SYDNEY)

THINK PERFORMANCE
THINK SAFETY
THINK DBA

HISTORY

DBA has grown from its humble beginnings over 40 years ago to being Australia's number one disc rotor manufacturer and complete 'brake solution' supplier. With our unparalleled technical expertise, we not only engineer and manufacture the most comprehensive program of disc rotors and drums, but a complete range of brake pads and shoes, calipers, brake fluids, sensors and other ancillary items.

In recognition of its uncompromising approach to quality and performance, Disc Brakes Australia was recently voted #1 preferred and recommended brand, #1 for product range, and #1 for technical expertise in brake rotors by Australian workshops.

The company has long been a champion of safety in the Australian Automotive industry, and our dedication to quality has been recognised with over 16 manufacturing awards from the Australian Automotive Aftermarket Association (AAAA). DBA is also a founding member of the Australian Auto Innovation Centre (AIC).

COVERAGE AND DISTRIBUTION

DBA's range covers over 97% of the Australian car parc, with direct replacement disc rotors and pads applications catering for street vehicles, performance upgrades, towing, 4x4 / SUV, military / armoured vehicles, track and motorsport applications.

While we are proud of our Australian roots and our local achievements, DBA over time has truly grown into a global player, servicing the world through eight distribution centres across Australia, New Zealand and the USA, distributors on all continents, and exporting to over 30 countries.

DBA engages with its retail, trade and end-customers through numerous channels. Both face-to-face and over the phone, through our dedicated expert team of Sales and Customer Service Representatives, and virtually via our website and our Facebook, LinkedIn and Instagram pages. These offer a world of information about our range of brake products, new product releases, and technical insights, and are also a great way to engage with us.

QUALITY, PERFORMANCE & SAFETY

DBA's uncompromised focus is on Quality, Performance and Safety. When manufacturing and distributing safety critical components, DBA believes there can be no shortcuts or substitutions for quality. Our direct replacement disc rotors and pads feature a myriad of technical innovations and patents and set the bar in quality, tolerances, and premium metals that delivers top quality. Drivers worldwide demand DBA products for consistent, reliable and superior performance. DBA ensures this by engineering and manufacturing products that are far superior to generic parts and aftermarket counterfeits. DBA holds its performance and motorsport roots closely as it continues to supply the world with leading braking solutions, for both street and performance vehicles. DBA maintains ISO9001:2015 accreditation through TÜV Rheinland®.

“From cast iron to the finished product - total control”

With over 40 years of manufacturing, research & development and design experience, DBA truly understands what it takes to make leading performance and safety critical disc brake rotors. DBA has partnered with race teams, OEMs and police and military forces around the world to solve their braking needs and push the envelope of cutting-edge technology.

Fully Australian owned and based, DBA is in control from the initial R&D and design stage, throughout the casting, manufacturing and distribution process.

DBA's experience and continual research & development has led to the development of leading technology including a proprietary cast iron formulation (XG-150), bi-directional slot designed (T2 and T3), TSP heating processing and our patented Kangaroo Paw ventilation system.

DBA's XG-150 is a supersaturated solution of carbon in an iron matrix. The excess carbon precipitates out in the form of graphite flakes. The structural distribution of these graphite flakes provides excellent thermal properties, increasing the thermal shock resistance.

DBA's grey iron is rich in carbon and alloy to produce excellent thermal characteristics, which is a key factor in the production of the casting. This is combined with our patented Kangaroo Paw ventilation design.

When combined with DBA's TSP process it allows the material to cope with rapid thermal cycling, with core-heat levels reaching approximately 700°C and above.

The DBA developed TSP™ process, stress relieves the cast iron during the manufacturing process. Unlike any other cast irons, the XG-150 formulation was developed to respond to the TSP process, resulting in a rotor that is ideal for heavy duty braking and suitable for motorsport applications.



XG-150 Features & Benefits

<i>Feature</i>	<i>Benefit</i>
<i>High thermal conductivity</i>	<i>Reduced brake fade, improved heat dissipation Consistent brake pedal feel</i>
<i>Thermal Stability</i>	<i>Minimises the risk of brake shudder/judder</i>

DBA MANUFACTURING PROCESS



FOUNDRY



RAW CASTINGS



MACHINING



PACKAGING & DISTRIBUTION



DISC BRAKES AUSTRALIA

STOPPING THE WORLD



CONTACT DETAILS

Australia & NZ

Sales/Service Inquiries

Ph: 1800 730 039 (Toll free Australia only)

Sales: orders@dba.com.au

Technical & Fitment: technical@dba.com.au

International

Sales/Service Inquiries

Ph: +61-2-9748-0211

Sales/Order Updates: exports@dba.com.au

All Administration Inquiries

Ph: +61-2-9748-0211

Accounts: ap@dba.com.au

Postal Address: Po Box 6666,
Silverwater NSW 1811, Australia

- Sydney, Australia - Head Office
- Melbourne, Australia - DBA Engineering & Sales Office
- Columbus, Ohio - DBA USA
- Torun, Poland - DBA Europe (OzParts)
- Eight DBA Distribution Centres across Australia / New Zealand / USA
- Key Distribution Hubs in America, Europe and Asia

PRODUCT RANGE

BRAKE DISC ROTORS



PERFORMANCE BRAKE PADS



BRAKE DRUMS & SHOES



BRAKE FLUIDS



Kangaroo Paw: Home grown inspiration



- INCREASES COOLING EFFICIENCY
- PROVIDES ADDITIONAL SUPPORT TO THE FRICTION FACE
- INCREASES DIMENSIONAL STRENGTH & STABILITY ACROSS THE DISC ROTOR

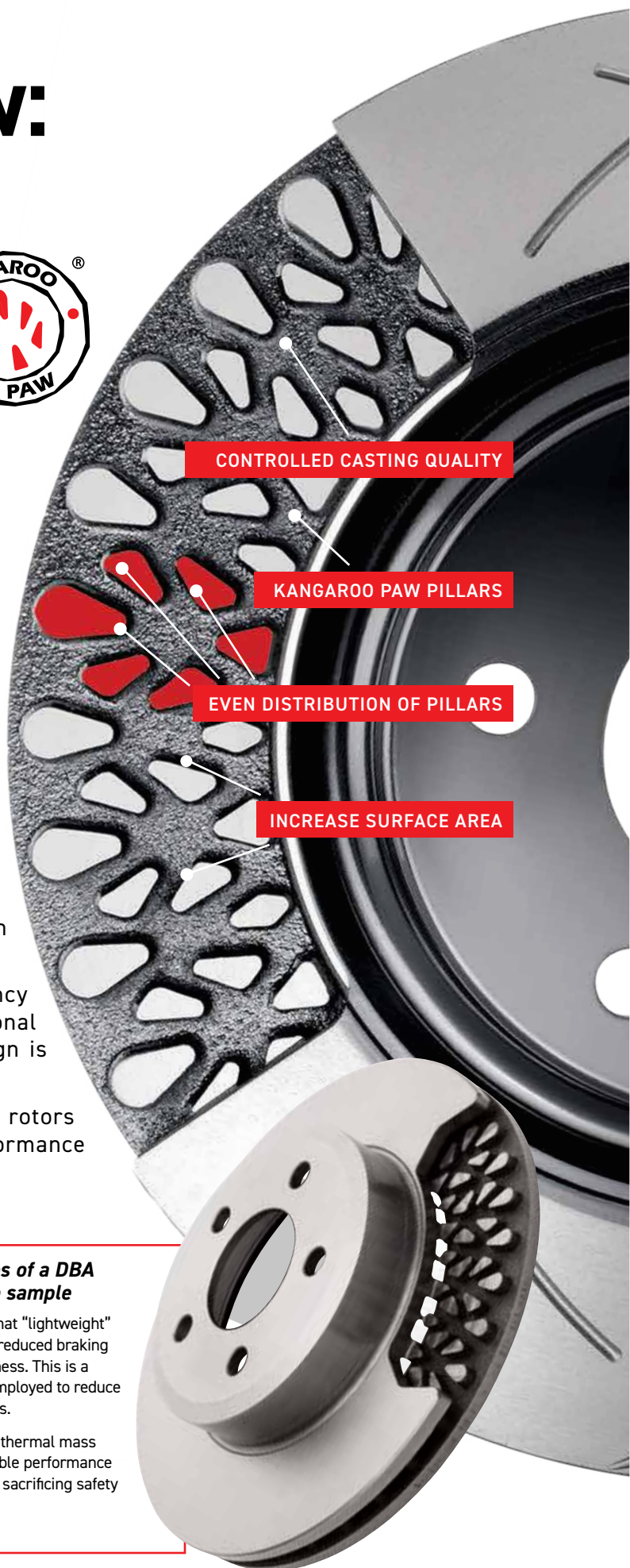
Unique design in brake rotor technology

'Kangaroo Paw' is a patented hi-tech disc rotor ventilation system which features a series of 144 diamond and tear drop shaped pillars individually spaced between the rotor faces.

This design cools the rotor faster, working on the same principal as an air-impeller designed to extract hot air and increases dimensional strength and stability across the disc rotor.

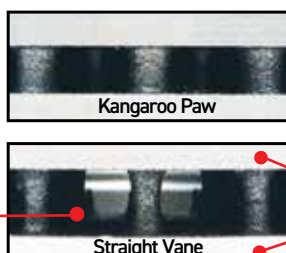
These advances increase the disc rotor's efficiency by as much as 20% when compared to a conventional rotor designs and tests are proving that the design is effective for vehicles prone to brake 'judder'.

Importantly, customers fitting DBA 'Kangaroo Paw' rotors will benefit from significantly better braking performance at no extra cost (Patent No. 742353).



Comparing the ventilation air space between friction faces of a DBA Kangaroo Paw design and a conventional straight vane sample

Increased distance between vanes reduces surface area which will affect the rotors ability to dissipate heat



It has been found that "lightweight" inferior discs have reduced braking plate surface thickness. This is a common method employed to reduce manufacturing costs.

The result is lower thermal mass causing unpredictable performance characteristics and sacrificing safety and longevity.



5000 T3 Slot Design

Features:

- ▶ Patented 'Kangaroo Paw' ventilation design provides greater heat dissipation
- ▶ Alupalite™ hat made from light-weight 6061-T6 aircraft aluminium material (re-useable)
- ▶ XG150 High Carbon Alloyed Iron increases the thermal capacity properties of the rotor
- ▶ Tri-Symmetrical T3 Slot design dampens the vibration harmonics resulting in a quieter, responsive and smoother brake pedal feel
- ▶ TSP (Thermal Stability Profiling) prolongs the service life of the rotor
- ▶ Replacement disc rotors available (without aluminium hat)



- PERFORMANCE
- 4WD / TOWING
- SPIRITED STREET DRIVING
- COMMERCIAL VEHICLES
- SHOW CAR
- MOTORSPORT



5000 Series High Performance 2-Piece Discs



WE ARE NOW WITNESSING THE ULTIMATE IN PERFORMANCE DIRECT OE REPLACEMENT DISCS.

This includes a trisymmetrical slot design dampening harmonics increasing responsiveness and improving that all important pedal feel. The 6061-T6 Alupalite™ hats on the 5000 T3 rotors are critical for reducing unsprung weight and rotational mass.

Disc Brakes Australia offers a range of products for high end performance vehicles. This product typically suits the upper level of prestige performance vehicles that are delivered with factory fitted two-piece rotor designs as standard.

The DBA replacement ring or disc comes with all the outstanding features of the 5000 Series products and is available as a direct replacement for vehicles such as the EVO 10, Nissan GTR, BMW M, Mercedes AMG, HSV and FPV.

DBA - The ultimate brand in performance direct OE replacement discs.

5000 Series Slot Design

The 5000 Series performance range of rotors features many unique and patented designs. DBA has many slotted design options available and provide a unique design under a conditional special order.



HD - Plain Surface Design



T3 - Trisymmetrical Slot Design



XD - Cross Drilled & Dimple Design

NAS Bolts / Nuts and Adapter

NAS Bolts and Nuts used are light weight and are made to National Aerospace Standards using quality high tensile A286 corrosion resistant alloy and are rated to withstand operating temperatures of up to 650°C. These bolts are manufactured for the use of two-piece rotor designs.

DBA recommends 13 Nm or 9.6 ft lb of torque when tightening the NAS nut and bolt assembly.



NAS4504U07
1/4" UNF
NAS BOLT - TRIWING



NAS6304U08
1/4" UNF
NAS BOLT - HEX HEAD



NAS1291C4
1/4" UNF NAS
CRIMP NUT - HEX HEAD



M6DINNUT
M6 x 1MM -
CRIMP NUT



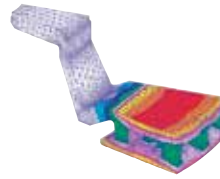
NAS400504-6
1/4" UNF
NAS BOLT - TOOL BIT







ROTOR TECHNOLOGY

Built and engineered for tough Australian conditions -

DBA uses a process called thermal stability profiling (TSP) on all 5000 Series discs manufactured with XG-150. TSP re-aligns the micro-structure of the iron's resistance to extreme heat and reducing disc wear.

Thermo-graphic paint markings allow clear identification of disc temperature and disc performance.



Initial Colour	When the rotor exceeds this temperature:	The colour will change to:
	458°C / 856°F	
	550°C / 1022°F	
	630°C / 1166°F	

Performance metals - Usually only found in high-end performance discs, XG-150 is a unique formulation developed for all DBA products. High carbon alloyed iron may look like regular iron found on standard discs, but DBA's unique XG-150 iron formula has been tested the world over to the absolute limits of braking punishment.

XG 150
HIGH CARBON ALLOYED IRON

Patented design - 'Kangaroo Paw' is a patented hi-tech disc rotor ventilation system which features a series of 144 diamond and tear drop shaped pillars individually spaced between the rotor faces. This design cools the rotor faster and increases dimensional strength and stability across the disc rotor.

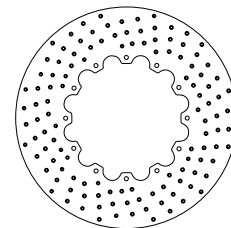


T3 slot design - DBA's T3 slot design is built on the T2 design but with an increased number of slots, taking it from 32 to 48 CNC machined slots. The result is an even quieter, more responsive and smoother brake pedal feel. This is achieved from a series of tri-symmetrical 'curved' slots, which when aligned in a specific way, drastically dampen the vibration harmonics, that's commonly associated with traditional straight slot (groove) rotor designs. The tri-symmetrical slots also increase the number of out-gassing exit points for brake pad friction gases to escape through, further increasing the consistency and effectiveness of every brake stop



XD - Cross Drilled & Dimpled design -

DBA's XD design consist of a combination of approximately 84 cross drilled holes and 36 dimples across the rotor surface, to provide an O.E performance design without the risk of cracking in traditional designs.



Protection in packaging - DBA delivers added value to ensure its products are received in perfect condition by covering each and every disc in a moisture resistant, corrosion protective dual layer package.



Premium discs, premium appeal - The premium paint coating found on all 5000 Series in non-friction areas ensures corrosion protection. DBA discs aid vehicle appearance and last longer against the elements.



Thermo-graphic paint markings - This allows clear identification of disc temperature and disc performance.



MOTORSPORT - IMPORTANT INFORMATION

There are many factors that directly affect the longevity of disc rotors and the safety of the driver when using a high performance street vehicle on a race track.

The major considerations are listed below:

CORRECT BEDDING OF ROTORS

Generally, experienced drivers will use their track rotors on the street with standard pads for a week or two before any track use. Driving in normal traffic conditions for 200 to 300 km (180 miles) is more effective and less likely to prematurely fatigue the disc rotor material.

If you are unable to utilise this method or prefer the accelerate and brake repetition shortcut, please warm your brakes up first. Drive for at least 1-2 kms (1 mile), with long easy braking. The thermal shock from braking at high speed on cold rotors WILL prematurely fatigue your brakes.

PAD SELECTION

Standard street pads are NOT suitable for track day applications. Core temperatures of rotors used on track days are generally in the 450°C to 600°C (1110°F) range and peak surface temperatures up to 800°C (1470°F) for 5 seconds or more.

Street pads will generally start to break down at 300°C to 350°C (570°F to 660°F), causing brake pad fade and glazing of the rotor surface. Also the pad structure is degraded resulting in poorer product performance.

WARM UP & COOL DOWN

Disc rotors must be preheated before track sprints to reduce the thermal shock from sudden high speed braking. The greater the difference in rotor temperature from when the pedal is applied to when the pedal is released, is directly proportional to metal fatigue.

This is also applicable after the event, when you exit the track. A cool down lap is advisable at reduced speed with lighter braking to lower the core temperature slowly, or if this is not possible, go for a short drive off the track for a few minutes.

Do not pull up immediately after exiting the track with hot brakes if you plan on using them again! **NOTE : Applying the hand-brake on hot rotors after a track session will distort the rear discs as they cool down.**

POST TRACK DAY ROTOR INSPECTION

All disc rotors should be inspected after track day events. This involves removing the rotor from the vehicle and inspecting for heat checking (surface cracking) and severe cracks from fatigue on the pad surfaces. If a suspected crack is found, rub the area with a light grade emery paper, 240 grit or higher, to confirm that it is a crack and not leaching or etching from the pad material.

Pad etching looks similar to light cracking but will disappear with a light rub with emery paper. If the heat checking is advanced to the point where the surface cracks are clearly visible, discard the pair of rotors. One ideal method that should be adopted is to have two sets of rotors.

One set for track use and one for street use. Changing to your street rotors after a track event encourages rotor inspection. Also, your street rotors can become your next track rotors with the advantage of being bedded in gradually. After the initial purchase of two sets of rotors you are still only replacing one set at a time.

ROTOR TEMPERATURES

Rotor temperature analysis is one method that can be used to enhance your driving technique. The use of thermo-graphic heat paint is the simplest method to record temperatures. To maintain optimal disc rotor life, the core temperatures should not exceed 630°C (1160°F). If you are exceeding this limit you should reconsider pad grades and driving technique. Take note of the time and distance the brakes are applied into a corner and compare them to other drivers. One or two seconds of additional braking can make a substantial difference in rotor temperature and product life.

THERMO-GRAPHIC TEMPERATURE MONITORING

Markings are placed on the outer edge of each rotor

Initial Colour	When the rotor exceeds this core temperature:	The colour will change to:
GREEN	458°C / 856°F	WHITE
ORANGE	550°C / 1022°F	YELLOW
RED	630°C / 1166°F	WHITE

Safe operating temperatures of brake fluid.

Brake Fluid Type	Dry Boiling Point ^A	Wet Boiling Point ^B
DOT 3	205°C / 401°F	140°C / 284°F
DOT 4	230°C / 446°F	155°C / 311°F
DOT 5.1	260°C / 500°F	180°C / 356°F
DOT 4/600	310°C / 590°F	213°C / 420°F

A Dry Boiling Point is the temperature at which a brake fluid will boil in its virgin non-contaminated state.

B Wet Boiling Point is the temperature at which a brake fluid will boil after it has been saturated with moisture.

Special Note : It is recommended that the brake fluid is changed every two years / 50,000kms (31,000 miles), or as recommended by the brake fluid manufacturer.

Maximum continuous working temperature of brake pads.

C.W.T. = Continuous Working Temperature

Brake Pad Type	Maximum C.W.T.	Friction Classif'n
Standard	280°C / 536°F	FF
Semi-Metal	400°C / 752°F	EF
Performance	500°C / 932°F	GF

SPECIAL NOTE :


The technical tips listed above are recommendations only and may not suit all applications

Page	Part #	OD/TH	Vent System	Fitment / Cross Reference
1	DBA4993	248mm x 7mm	S	Formula Ford Disc – for Hat Design use DBA4994 – Front
2	DBA42999	254mm x 9.65mm	S	Formula Ford Disc – Van Diemen Fc (1994-on), Zetec FF2000, Alt No: PFC 255-10042-03 – Rear
3	DBA52546.1	273mm x 9mm	S  	Mazda MX 5 Goodwin Upgrade – Rear
4	DBA5003.1	277.8mm x 15.9mm	KP	Formula 3
5	DBA52545.1	280mm x 21mm	KP  	Mazda MX 5 Goodwin Upgrade – Front
6	DBA RADICAL II	281.5mm x 26mm	KP 	SR 3, Alt No: BD0062/63
7	DBA5355.1L/R	282mm x 25.9mm	60V  	Lotus Elise S1, All Except Sport
8	DBA53900.1	285mm x 24mm	KP	
9	DBA52355.1	288mm x 26mm	KP 	Lotus Elise S2 / Exige
10	DBA5000.1	295mm x 25mm	KP 	Subaru WRX 99-01 – Front
11	DBA5010.1	295mm x 25mm	KP 	Subaru WRX USA Spec – Front
12	DBA52358.1	296mm x 26mm	KP 	Lotus Upgrade Option, Elise S2 Upgrade – Front/Rear
13	DBA5040.1	296mm x 28mm	KP 	Holden VT-VZ
14	DBA52919.1L/R	298.5mm x 31.8mm	60V 	AP Replacement Cross Reference: CP 3862-104GA; GA = J Hook
15	DBA52500.1	300mm x 25mm	KP  	Honda Acura, RSX Type S (2002-2006)
16	DBA52510.1	300mm x 28mm	KP 	Honda Euro (2003-on), 2.4L 1-VTEC 3.0L V6
17	DBA52921.1L/R	304mm x 32mm	60V	AP Replacement Cross Reference: CP38580-2604/05
18	DBA52973.1L/R	304mm x 34mm	60V	AP Replacement Cross Reference: CP3870-2078G (Mustang)
19	DBA52231.1L/R	308mm x 26mm	60V 	Lotus Series 2, Alt No: CP 3580-1174/1175
20	DBA52650.1	316mm x 30mm	KP  	Subaru (2003-2010), Liberty B4, 3.0L Spec B GT, WRX 15 – Front
21	DBA52113.1	319mm x 30mm	KP 	Ford Mustang (2006-on), V6, GT (V8)

P. C. D.

(inches to millimetres)

Inches (")	Millimetres (mm)	Inches (")	Millimetres (mm)	Inches (")	Millimetres (mm)
7.00"	177.8mm	8.5"	215.9mm	9.25"	234.95mm
7.5"	190.5mm	8.75"	222.25mm	9.75"	247.65mm
8.0"	203.2mm	9.00"	228.6mm	10.00"	254mm

Page	Part #	OD/TH	Vent System	Fitment / Cross Reference
22	DBA52123.1	320mm x 22mm	KP	Ford Focus XR5 Turbo: 9mm mounting holes. OE #2W51 2C375 CC
23	DBA52120.1	320mm x 25mm	KP 	Ford Focus (2006-on), XR5 Turbo 2.5L – Front
24	DBA52468.1	320mm x 27mm	KP 	Hyundai Tiburon
25	DBA52525.1	320mm x 28mm	KP 	Mini Cooper Brembo Floating Hat (2003-on) – Front
26	DBA52218.1	320mm x 32mm	KP 	Mitsubishi Evo (Lancer), EVO V, VI, VII, VIII, IX, GSR & RS-2, 17" Wheels (1996-2008)
27	DBA52390.1	322mm x 32mm	KP  (MTO)	Porsche 911 (993), (1995-1997)
28	DBA5928.1	324mm x 30mm	KP 	Nissan Skyline R32/33/34 GT-R Twin Turbo, fitted with Brembo Calipers, Nissan 350Z Front (2003-on), Brembo 4 Pot Brake Caliper
29	DBA2979.1	325mm x 10.1mm	S (MTO)	Flat Solid – Rear Upgrade
30	DBA52880.1	325mm x 28mm	KP  (MTO)	BMW M3 E46, (2001-on) – Front
31	DBA52994.1	325mm x 32mm	KP  (MTO)	Chevrolet Corvette C5 – Front Ford FPV BA 2003-05 – Front <i>(Previously DBA5067.1)</i>
32	DBA5654.1	326mm x 30mm	KP 	Subaru Impreza WRX STI, 2002-11, fitted with Brembo Calipers Toyota Supra (1993-98), Export and Japanese Models, 2JZ-GTE TT/GE, 4 Piston Brake Caliper – Front
33	DBA5046.1	328mm x 28mm	KP 	GM (Holden), HSV VR/VS (1993-97) – Front
34	DBA52974.1L/R	328mm x 28mm	60V	Brembo Family 60 Series Cross Reference: 09.5682.10/20, 09.5682.72/82, 09.5682.94/95, 09.9226.10/20, 09.9228.13/23, 09.9228.18/28, XA3.41.18/28
35	DBA52946.1	328mm x 32mm	60V (MTO)	Brembo Cross Reference: 09.5682.53/63; 09.9226.39/49
36	DBA52835.1	330mm x 32mm	KP 	OE 8T0615601A; OE #8KO 615 601G = Assembly DBA52841 Audi Disc – Rear
37	DBA52835.1W	330mm x 22mm	KP 	Please note: two rear aluminium hat height variations Audi RS5 B8 Wave Design Rear 2013-on OE# 8T0 615 601A DBA's complete assembly DBA52835SLVXD <i>When fitted with Hat: DBA 52835.2 (Total height 41mm)</i> Audi RS4 B8, S6, S7 4G, SQ5, A8 4H Wave Design Rear 2013-on OE# 8K0 615 601G DBA's complete assembly DBA52841SLVXD <i>When fitted with Hat: DBA 52841.2 (Total height 36mm)</i>
38	DBA52165.1	330mm x 25.4mm	KP 	Rear Disc Rotor Mustang OE#: FR 3Z 2CO26A
39	DBA57330.1	330mm x 25.4mm	KP (MTO)	AP Replacement Cross Reference: CP3580-1092 / CP3580-1093 – 48 Vane, Drawing Ref: CD3580-1092 / CD3580-1093 G8

Page	Part #	OD/TH	Vent System		Fitment / Cross Reference
40	DBA52349.1	330mm x 25.5mm	KP		Nissan 350Z – Rear
41	DBA52619.1	330mm x 26mm	KP		Honda 2000 OE# CP3580-1180/1181 GA
42	DBA52935.1	330mm x 28mm	KP		AP Replacement Cross Reference: CP3580-2898 / CP3580-2899, Drawing Ref: CP3580-1096-7, CP3580-2002/03 G8
43	DBA52975.1	330mm x 28mm	60V		Brembo: 09.8667.50/60 (Off-set 3mm)
44	DBA57830.1	330mm x 28.2mm	KP		OE#: QH00-13305 – PJN
45	DBA57904.1L/R	330mm x 32mm	60V		Alcon No: DIV 330/32/55-12/203 L/R
46	DBA5048.1L/R	330mm x 32mm	60V 		GM (Holden), HSV VT, VX, VY, VY II, VZ, (PBR 2 Piston Calipers) – Front
47	DBA52386.1	330mm x 34mm	KP 		DBA's Version Fits: Porsche 911 (966), Turbo, C4 S, (1999-2004) – Front
48	DBA5100.1L/R	330mm x 34mm	72V		NZ V8 Super Cars
49	DBA52903.1	332mm x 26mm	KP 		AP Replacement Cross Reference: CP2494-1987, uses a Cast Iron Hat, Lotus V6 Exige 2 – Rear
50	DBA52908.1L/R	332mm x 32mm	60V 		Lotus V6 Exige 2 – Front, OE ALS 9 J001, AP Replacement
51	DBA57888.1L/R	332mm x 32mm	72V		Brembo Cross Reference: 09.8666.53/63, 09 8666.70/80, 09.5682.70/80, 09.5682.78/88, 09.5682.92/93
52	DBA52901.1	334mm x 28mm	KP 		Alcon (Australian Application Only), DIV 2175X534
53	DBA52828.1L/R	334mm x 32mm	60V 		VW Golf R32 Cross Reference: MK 4 (2001-04), OE One Piece Part No.1JO 615 301 AA & 302AA
54	DBA52288.1	335mm x 30mm	KP 		Mini (John Cooper Works) R56 / R57 – Front OE # 34116865711
55	DBA52199.1	336mm x 24mm	KP 		V8 Utes – Rear
56	DBA52134.1	336mm x 28mm	KP 		Ford Focus RS 2.5L Turbo (2010-2012), OE One Piece Part No 9M51.1125AA
57	DBA52112.1	338mm x 32mm	48V 		Falcon BA GT-P Upgrade
58	DBA52366.1	340mm x 28mm	KP 		Renault Megan RS Turbo 2 OE # 402060019R
59	DBA52830.1	340mm x 30mm	KP 		VW Golf 7, Golf (2013-on), Audi S3 Quattro
60	DBA52830.1W	340mm x 30mm	KP 		VW Wave Design OE # IKO 615 301 AD
61	DBA52990.1	340mm x 32mm	KP 		Corvette C6 Z-51, (2005-on) Front
62	DBA52918.1	343mm x 28mm	KP		Special Made to Order PCD215.9mm (with an Offset of: +2mm)
63	DBA52196.1	343mm x 29mm	KP 		V8 Utes – Front

Page	Part #	OD/TH	Vent System		Fitment / Cross Reference
64	DBA7056.1	343mm x 32mm	KP		AP Direct Replacement CP3581-542/3
65	DBA5055.1	343mm x 32mm	KP		HSV VT-VZ 1997-2005 – Front
66	DBA52939.1	343mm x 32mm	KP		VW Golf/Jetta, Alcon DIV2175 x 557C24L/R – Front, Vauxhall Astra OPC “A”
67	DBA52915.1	345mm x 28mm	KP		Brembo Family 80 Series Cross Reference: 09.5759.94/95, 0.9.5759.96/97
68	DBA52808.1	345mm x 30mm	KP		VW Golf R32 – Front (2004-on) OE One-Piece Part No: 1K0 615 301M, AB VW Golf R32 (use Hat: DBA 52808.2) = OE # 8KO 615 301K Corvette C7 (Z06) GM Part No: 23439965 (use Hat: DBA 52762.2) Audi S5 (use Hat: DBA 52832.2)
69	DBA52808.1-V2	345mm x 30mm	KP		VW Golf R32 – Front (2004-on) OE One-Piece Part No: 1K0 615 301M, AB VW Golf R32 (use Hat: DBA 52808.2) = OE # 8KO 615 301K Corvette C7 (Z06) GM Part No: 23439965 (use Hat: DBA 52762.2) Audi S5 (use Hat: DBA 52832.2)
70	DBA52808.1W	345mm x 30mm	KP		VW Golf R32 (Mk5 & Mk6 models) Wave Design – use Hat DBA52808.2 = OE #1K0 615 301 M,AB Audi S5 (use Hat: DBA 52832.2) DBA 52976 Assy
71	DBA52808.1W-V2	345mm x 30mm	KP		VW Golf R32 (Mk5 & Mk6 models) Wave Design – use Hat DBA52808.2 = OE #1K0 615 301 M,AB Audi S5 (use Hat: DBA 52832.2) DBA 52976 Assy
72	DBA53146.1	345mm x 30mm	KP		Disc Rotor Front – Hyundai i30N OE #51712S0100
73	DBA52858.1	348mm x 30mm	KP	 	BMW E90, E91, E92, E93 – Front
74	DBA2978.1	350mm x 13mm	S		Flat Solid Rear – Upgrade
75	DBA52934.1	350mm x 22mm	KP		Upgrade
76	DBA52968.1	350mm x 25mm	KP		Ford Focus RS Series OE #G1FY1125AB
77	DBA52644.1	350mm x 28mm	KP		Renault RS Turbo Series 3/RS 2675 Trophy R Upgrade – Front OE# 40206 5603R
78	DBA52019.1	350mm x 32mm	KP		HSV 05-06 AP 4 Piston Caliper – Front Refer DBA52024 for 6 Piston Caliper / Lotus Evora P/N = DBA52019.1, Assembly P/N = DBA52364BLKS
79	DBA52223.1	350mm x 32mm	KP		Brembo Cross Reference: XA2.91.32/33 Direct OE Replacement – Mitsubishi EVO 10 MR Brembo OE – Front
80	DBA52224.1	350mm x 32mm	KP		Mitsubishi EVO 10 – Front (DBA’s Version)




Page	Part #	OD/TH	Vent System	Fitment / Cross Reference
81	DBA52396.1	350mm x 34mm	KP 	DBA's Version Fits: Porsche 911 (996 & 997) (2003-2008), Porsche Carrera C4 S Upgrade GT2 GT3 GT3RS – Front
82	DBA52945.1	350mm x 34mm	KP	Brembo: 09.9306.10/20 (Off-set: 0.9mm)
83	DBA52909.1	355mm x 26mm	KP	PBR M-Series OE # 510216F-0711
84	DBA52916.1	355mm x 28mm	KP	AP Replacement Cross Reference CP6565-190/1 CG8
85	DBA52604.1	355mm x 32mm	KP 	GM – Holden Redline/Chevrolet Camaro V8, (2010-on) – Front
86	DBA52073.1	355mm x 32mm	KP	Opel VRX/OPC (2013-on) OE Brembo Replacement – Front (GM#13370436) (35 12 AA Z677)
87	DBA52075.1	355mm x 32mm	KP 	Ford FPV BA-BF Falcon PBR 'M' Series Upgrade F – DBA's Version, Holden PBR 'M' Series Upgrade – DBA 5000 Series Version
88	DBA52750.1	355mm x 32mm	KP	AP Replacement Cross Reference: CP 4542-106/107 CC12
89	DBA52992.1	355mm x 32mm	KP 	Chevrolet Corvette C6 Z06 – Front
90	DBA52923.1L/R	355mm x 32mm	48V	Brembo Part No.: 09.5759.13/23 Brembo Part No.: 09.5759.35/45 Brembo Part No.: 09.A026.13/23 – 17mm Air Gap – 48 Vane; Brembo Part No.: 09.8673.13/23 – 17mm Air Gap – 48 Vane; Brembo Part No.: 09.9306.11/21 – 17mm Air Gap – 72 Vane; Brembo Part No.: XA2.91.34/35 – 20mm Air Gap – 48 Vane; Brembo Part No.: 09.A027.13/23 – 20mm Air Gap – 48 Vane Brembo Part No.: X7.049.19 -20mm Air Gap / Pillar & Post Vent Design / Special Note: Specification 'I'- Flange Inside Diameter is 217mm
91	DBA52314.1	355mm x 32mm	KP 	Nissan 370Z, 3.7 Litre V6 (Akebono Calipers)
92	DBA52124.1	355mm x 32mm	KP  	Brembo Cross Reference: 09.7792.10/20, Ford Mustang (2005-2013), GT (V8) Shelby Edition, GT 500 and Boss 302 with Brembo Package
93	DBA52905.1	355mm x 32mm	KP 	Upgrade: DBAUSA Big Caliper Kit, Subaru, BMW, Corvette
94	DBA52906.1L/R	355mm x 32mm	48V 	Alcon Cross Reference: DIV2146X037
95	DBA53911.1	355mm x 32mm	KP	
96	DBA52102.1	355.6mm x 32mm	KP 	Ford FPV BA/BF/FG (2005-2011) – Front
97	DBA53001.1	356mm x 28mm	KP 	Lexus – Disc Rear Rotor OE#43516-30061-L; #4351230371-R GS350 GS350 GRL10&12/RC200T&300ASC10/RC35 GSC10 FROM 2012-2020 Sports Pack
98	DBA53910.1	356mm x 30mm	KP 	Audi RS 6 – Disc Rear Rotor OE# 4FO 615 601H Full assembly number: DBA53001SLVS also available in XD design

Page	Part #	OD/TH	Vent System	Fitment / Cross Reference
99	DBA52448.1	356mm x 32mm	KP  	Dodge Viper SRT (2003-on) – Front Audi Rear \$8 (2008-2014) OE #420 615 601 suffix with either A, B, C, E, F Audi full assembly number: DBA52833SLVS also available in XD design
100	DBA53359.1	360mm x 26mm	KP 	Disc Rotor Rear, Mercedes AMG OE # 2314230212
101	DBA52280.1	360mm x 30mm	KP 	BMW 1 Series M Coupe: E82 (2012-2012) BMW 3 Series M: E90, E92, E93 (2007-2013) 4 litre only OE # 3411 2 283 386; 3411 2 283 801 & (802)
102	DBA52645.1	360mm x 28mm	KP 	Renault Megane RS Turbo Up-grade use Hat: DBA 52645.2 OE# 402060019R
103	DBA52804.1	360mm x 32mm	KP 	Audi RS4 Biturbo (2001-06) – Front, OE # 8D0 615 301B & 302B
104	DBA52592.1	360mm x 36mm	KP 	Porsche Panamera 970 3.0S, 3.0D, 3.6, 4.8S (use DBA 52592.2 Hat) OE # 7P661301A + 302A, VW Touareg: (7PS) use DBA52596.2 Hat
105	DBA52690.1	360mm x 36mm	KP 	Mercedes W204 C63 (08-12), SL55 (07-12), E63 (07-11), SLK55 (12-13), SL63 (07-12), Brembo Cross Reference: 09.9764.23 (direct replacement)
106	DBA52024.1	362mm x 32mm	KP 	GM (Holden) HSV VZ, (2005-06) AP 6 Piston Caliper – Front Refer DBA52019 for 4 Piston Caliper
107	DBA52037.1	362mm x 32mm	KP	AP Replacement Cross Reference: CP4542-142/143
108	DBA52771.1	365mm x 26mm	KP 	Corvette (2013-2015) C7, Z06 2015 – Rear Brembo GM Part No: 20981824 = OE Direct Replacement
109	DBA52030.1	365mm x 32mm	KP 	GM (Holden), HSV VE and VE2 (2006-12)
110	DBA52943.1	365mm x 32mm	KP  	Alcon Cross Reference: DIV 2175 X 534 C24 L/R
111	DBA52834.1	365mm x 34mm	KP 	Audi RS4, RS5, R8 (2008-2014) OE # 420 615 301 A, B, D Audi RS6 C5 OE # 4B3 615 301E and 302A (Cross reference to: CP 8080 Z14/A15 – Front)
112	DBA52834.1W	365mm x 34mm	KP 	Audi RS4, RS5, R8 – Front OE # 8T0 615 301 – Wave Design (use Hat DBA 52834.2) Audi RS Q3 Front OE # 8UO 615 301 A & B (use Hat DBA 52836.2)
113	DBA52838.1	365mm x 34mm	KP	Audi RS4 (2005-2009) Brembo Cross Reference: 09.9477.23 Floating Hat Design with 10 hole bobbin mount design OE # 8E0 615 301AB
114	DBA52066.1	367mm x 32mm	KP	HSV ClubSport / Grange / Senator: (VF – Red caliper and Pewter caliper)

Page	Part #	OD/TH	Vent System	Fitment / Cross Reference
115	DBA52286.1	370mm x 30mm	KP	BMW F30, F32, F33, F34, F36 (Performance version) OE # 3410 6 797 603 (Dimple face) OE # 3410 6 797 606 (Plain face)
116	DBA52842.1	370mm x 32mm	KP	Audi TTRS – Front OE # 8J0 615 301E
117	DBA52608.1L/R	370mm x 34mm	72V 	Cadillac CTS-V – Front OE # 20795302
118	DBA52770.1L/R	370mm x 34mm	72V 	Corvette C7, Z06 2015 – OE Direct Replacement – Front
119	DBA52844.1	370mm x 34mm	KP 	Audi RS3 – OE 8V0 615 301C – Front Please Note: Rear Disc = DBA 42809 + variant
120	DBA52844.1W	370mm X 34mm	KP 	Audi RS3 (2015-on) – Wave Design OE # 8V0 615 301 including: B & C Suffix Please Note: Matching Rear Disc = DBA 42809 W
121	DBA52936.1	370mm x 36mm	KP 	AP Replacement Cross Reference CP 3786-4189 C12
122	DBA52069.1	372mm x 28mm	KP	HSV VF GT-S Rear (2006-2015) OE # SPZ 300 314
123	DBA92190.1L/R	375mm x 35.6mm	72V 	Australian V8 Supercar – Front
124	DBA52914.1L/R	375mm x 36mm	72V	AP Replacement Cross Reference: CP 5772-1076-7 CD
125	DBA52902.1	378mm x 32mm	KP 	Alcon Cross Reference: DIV 2175 X 533 C24 & C36
126	DBA52928.1L/R	378mm x 31.75mm	48V 	(ST-USA)
127	DBA52932.1L/R	378mm x 35.6mm	48V 	(ST-USA)
128	DBA52071.1	378mm x 36mm	KP	HSV-GTS STRAP-DRIVE AP Racing Alternative: Bolt Holes are Offset Left and Right Handed to Suit 6 Piston Caliper
129	DBA52072.1	378mm x 36mm	KP 	VE HSV-GTS 427 , DBA's Version. Full Assembly uses DBA52072.2 Hat
130	DBA52970.1	380mm x 28mm	KP	Brembo Family 90 Series Cross Reference: 09.A186.10/20; 09.6550/51
131	DBA52971.1	380mm x 28mm	KP 	AP Racing CP 5914-184/185
132	DBA53298.1	380mm x 30mm	KP 	BMW-M4-3L – Disc Rotor Front OE#34112284809/34112284810 (L&R)
133	DBA52323.1	380mm x 30mm	KP 	Nissan GT-R 2009-2015 Brembo R35 OE Direct Replacement (Rear) Alcon: DKF222X756 C24
134	DBA52321.1	380mm x 30mm	KP 	Nissan GT-R 2009-2015 DBA's Version – Rear

Page	Part #	OD/TH	Vent System	Fitment / Cross Reference
135	DBA52933.1L/R	380mm x 32mm	72V	Brembo Part No.: 09.5759.74/84 – 17mm Air Gap; Brembo Part No.: 09.5759.98/99 – 17mm Air Gap; Brembo Part No.: 09.8528.74/84 – 17mm Air Gap Brembo Part No.: 09.5884.73/83 – 20mm Air Gap; Brembo Part No.: 09.A009.74/84 – 20mm Air Gap Endless No.: E98-8032-Bolo-CG8 Porsche: 997 Cup (Grand-Am Category); 997 (GT3 Category) Sprint, 997 (GT3 Category); Endurance, 996 RSR (GT2 Category) Aston Martin: DBRS – 9 (GT2); DBRS – 9 (GT3 Homologation); GTE (2011-on); DBRS – 9 (GT4 Endurance) Ferrari: 430 Berlinetta (GT2/GT3 Category) Ford: Mustang S197 Boss 302R (GS/GTS/T1) Chevrolet: Corvette C6 W.C.GT/Rolax GT, Camaro GS/TS Ascari KZ1-R (GT2/GT3) Homologation Venturi Heritage (GT3) Homologation
136	DBA52399.1	380mm x 32mm	KP	Porsche 911 GT3 Inc. PCCB Cars (2006-on) – Front
137	DBA52900.1	380mm x 32mm	KP	AP Replacement Cross-Reference (QJ00 13305 SUN)
138	DBA59382.1L/R	380mm x 32mm	72V	Brembo Cross Reference: XA2.91.32/33 – 20mm Air Gap, DBA Uses – 17mm Air Gap – Brembo 48 Vanes
139	DBA52320.1	380mm x 34mm	KP 	Nissan GT-R (2009-2011) DBA's Version – Front
140	DBA52322.1	380mm x 34mm	KP 	OE Direct Replacement, Nissan GT-R (2009-2011): CP4590-033YNPC (Ring only) Ring only: 09.8528.12 Left, 09.8528.22 Right Ref: Brembo complete assy: 09.A187.13 = cross drilled version OE # 40206 – JF20A
141	DBA52632.1	380mm x 34mm	KP 	Jeep Grand Cherokee SRT8 (2011-on) – use Hat DBA52632.2 Ford Mustang (2016-on) Premium Brake Package Inc. V8 – use Hat DBA 52166 Lexus RC F OE # 43516 – 0W020/100 – use Hat DBA 52788.2
142	DBA53903.1	380mm x 34mm	KP	Brembo Cross Reference: 09.7792.10/20 – Disc Rotor Front
143	DBA59384.1L/R	380mm x 34mm	72V	Brembo Cross Reference: 09.A009.12/22 – 20mm Air Gap Porsche GT3 CUP CAR, Ferrari 458 GT3 Sprint

Page	Part #	OD/TH	Vent System	Fitment / Cross Reference
144	DBA52385.1L/R	380mm x 35mm	72V	Brembo Cross Reference: 09.8528.78/88 Porsche 997 RSR (GT2 Category) Endurance, Porsche 997 RSR (GT2 Category) Sprint, Chevrolet Corvette C6 GT3 (Optional Brake System, Endless No. E91-8035-B010-GG18) Maserati Trofeo GT4
145	DBA52774.1	380mm x 36mm	KP 	Audi SQ5 OE # 4H0 615 301 AA, AB, AN, L, S – available as a complete assembly: DBA 52774SLV (L & R) T3 slot or XD
146	DBA52972.1L/R	380mm x 36mm	72V	AP Cross Reference: CP 7177-128/129
147	DBA53921.1	380mm x 36mm	KP	CP 7177-128/9
148	DBA52938.1	380mm x 38mm	KP	Porsche Cayenne Turbo – Front OE #955 35140 161&261
149	DBA52778.1	385mm x 36mm	KP 	Audi S6 C6 (2005-2010) OE # 4FO 615 301 J : (2007-2011) Assembly DBA 52778BLKS A6, S6, C6 2004-on (4F2, 4F5) S8 OE # 4EO 615 301K/E A8 (2004-2010) Quattro 1LJ
150	DBA52370.1L/R	390mm x 34mm	72V 	Nissan R35 GT-R (2012-on) OE # 40206-KJ10A; 40260-KB50A Similar to Brembo 09.B386.13; CP8080Y 10/11 CG12
151	DBA52379.1	390mm x 34mm	72V 	Nissan GT-R (use DBA52379 Assembly = DBA52379.1 Ring + DBA52320.2 Hat) Complete assembly part number: DBA 52379BLKS or XD suffix
152	DBA52910.1	390mm x 34mm	KP	2015 Dodge Charger SRT Hellcat OE # 6818 4587 AB
153	DBA52068.1L/R	390mm x 35.6mm	72V	HSV VF GT-S Front (2006-2015) OE # SPZ 300 313
154	DBA52980.1	390mm x 36mm	KP	AP Replacement Cross-Reference CP7177-107 CG12
155	DBA53000.1	390mm x 36mm	KP 	Audi RS 6 – Front – OE# 4FO 615 301L/R
156	DBA53000.1W	390mm x 36mm	KP 	Audi RS 7 – Front – OE# 4GO 615 301AH – Wave Design (use Hat 53002.2 = DBA 53002SLVXD as complete assembly part number)
157	DBA53901.1	390mm x 36mm	KP	OE# CP7177-124/125
158	DBA53916.1	390mm x 36mm	KP 	Brembo OE #84271643 Disc Rotor Front – Comaro ZL1/CTS V
159	DBA53940.1	390mm x 36mm	KP 	Brembo OE #84271643 Disc Rotor Front – Comaro ZL1/CTS V
160	DBA52372.1	396mm x 34mm	KP 	Nissan R35 GT-R (2015-on) Alcon Cross Reference: DKF2222X001 C24
161	DBA53919.1	400mm x 36mm	KP 	Brembo OE #68305562AB Disc Rotor Front – Jeep Track Hawk DBA Version

162	DBA57890.1	405mm x 34mm	KP		Brembo Cross Reference: 09.A226.75/76 09.A226.80/81 (Ref INZ.9505A2 – Family 95)
163	DBA52926.1	410mm x 34mm	KP		
164	DBA52931.1	410mm x 34mm	KP		
165	DBA53920.1	400mm x 36mm	KP		CP 4095-102/103
166	DBA52930.1	410mm x 36mm	KP		
167	Flat Disc Enquiry Form				
168	Part Number Contents				

GENERAL DISCLAIMER

Some information in this Catalogue has been compiled using data published by original equipment manufacturers. Disc Brakes Australia Pty Ltd is unable to warrant the accuracy of third party data, and does not accept responsibility for loss or damage of any kind caused as a result of such data being inaccurate. We recommend you exercise your own skill and care with respect to the selection of goods. However, Disc Brakes Australia Pty Ltd encourages you to contact us if you have any concerns regarding any data/information provided. We will make every effort to correct any errors once they are brought to our attention.

TRADE MARKS

"DBA", "DISC BRAKES AUSTRALIA", "4000 series", "5000 series", "KANGAROO PAW", "TSP", "Thermal Stability Profiling", "DBA XS", "XG150", "T2", "T3", "Alumalite" and other associated marks and logos are trade mark and/or registered trade marks of Disc Brakes Australia Pty Ltd. Any unauthorised use of these trade marks by a third party is prohibited. Do not remove this notice.

All "DBA" part references listed in this Catalogue are trade marks of Disc Brakes Australia Pty Ltd. Any unauthorised use of these trade marks by a third party is prohibited. Do not remove this notice.

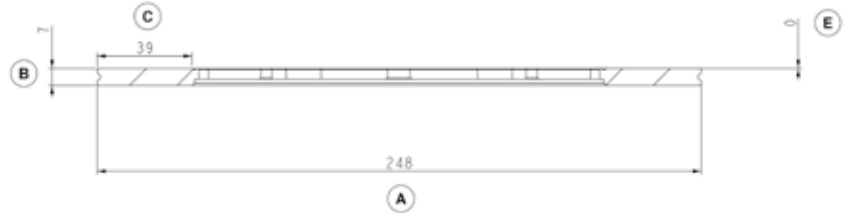
Any reference to trade marks in the Catalogue owned by third parties such as "Brembo", "AP Racing", "Alcon", "Nissan", "Porsche" and "Ferrari", etc., are used to merely describe the fit/compatibility of the "DBA" goods. Disc Brakes Australia Pty Ltd makes no representation that we are in any way sponsored by or affiliated with these third parties.

COPYRIGHT © DISC BRAKES AUSTRALIA

Copyright in this Catalogue and in the content of our websites is owned by Disc Brakes Australia Pty Ltd. You may print, distribute and use this Catalogue in unaltered form only, and provided this notice is not removed.

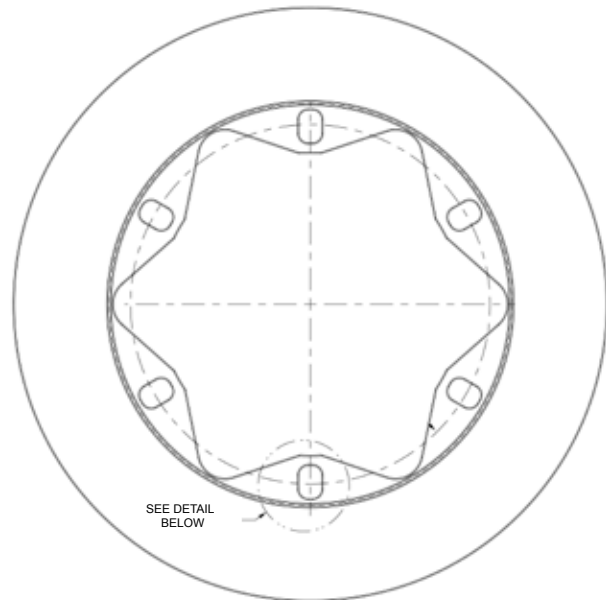
Any queries regarding any of the above should be address to Disc Brakes Australia Pty Ltd at PO Box 6666, Silverwater DC, NSW, 1811, Australia; or by email to info@dba.com.au
THE KANGAROO PAW DESIGN IS NOT AVAILABLE ON ALL PART NUMBERS. ASK YOUR SUPPLIER FOR DETAILS.

DBA Part No. **DBA 4993**

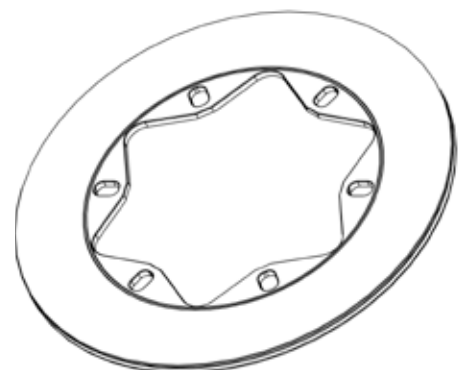
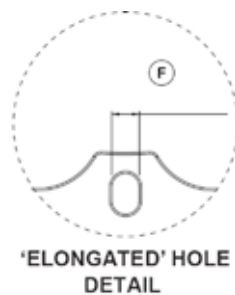


Technical Specifications

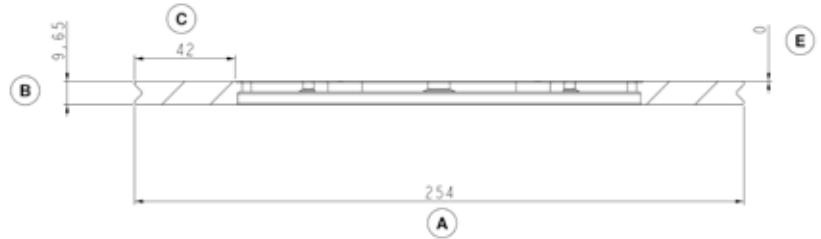
A Diameter (mm)	248
B Thickness (mm)	7
C Annulus (mm) (Maximum useable pad width)	39
D Air Gap (mm)	0
E Offset (mm)	0
F Dia. & No. of Bolt holes (mm)	9.6 (x6)
Weight (kg)	1.45
Vent Design	Solid



Note: Formula Ford Disc.
For Hat design disc brake rotor,
please refer to the DBA main
catalogue.
Part number DBA4994
(Formula Ford Disc – Ha0t
Design).

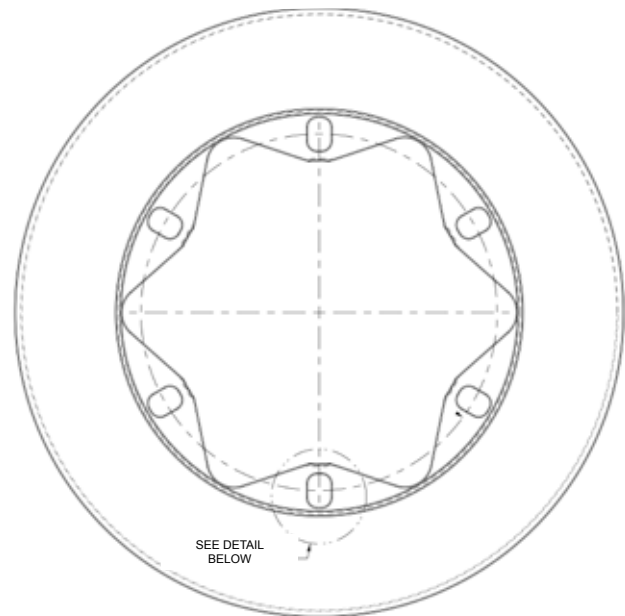


DBA Part No. **DBA 42999**

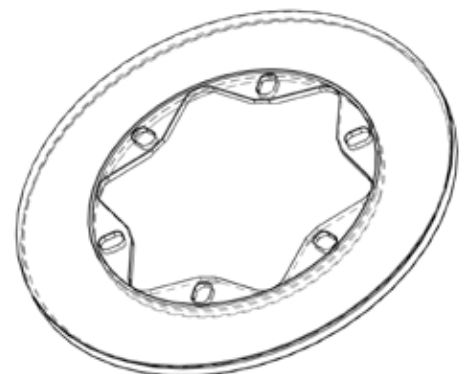
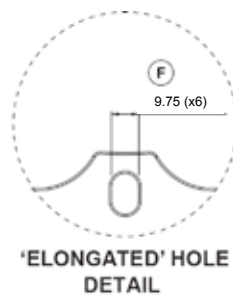


Technical Specifications

A Diameter (mm)	254
B Thickness (mm)	9.65
C Annulus (mm) (Maximum useable pad width)	42
D Air Gap (mm)	0
E Offset (mm)	0
F Dia. & No. of Bolt holes (mm)	9.75 (x6)
Weight (kg)	2.06
Vent Design	Solid

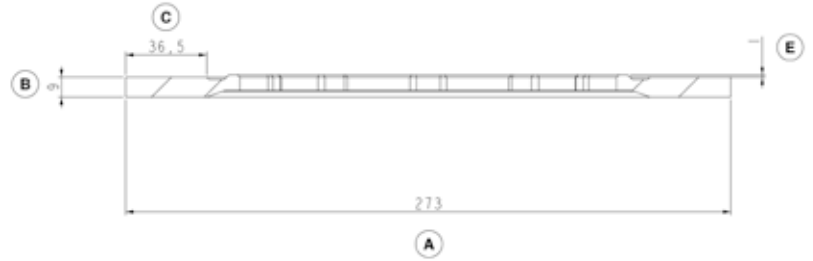


Note: Formula Ford Disc.



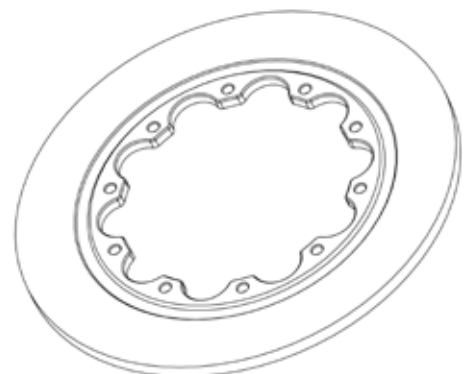
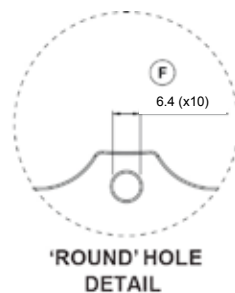
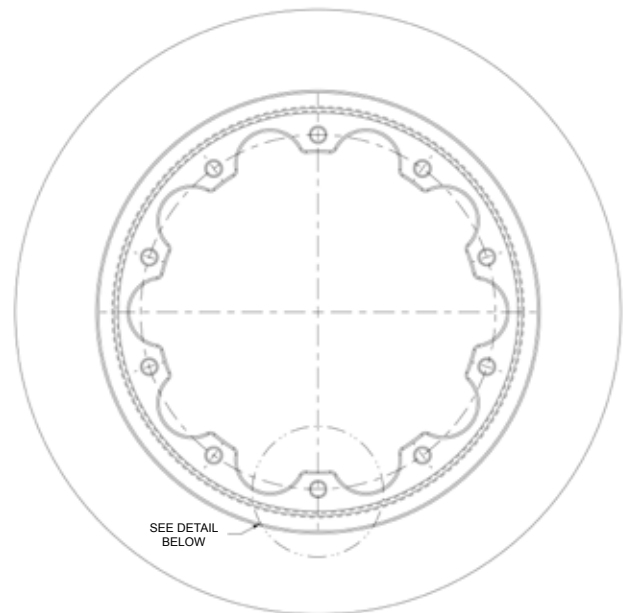
DBA Part No. **DBA 52546.1**

(Supplied with 1/4" UNF NAS crimp nuts)

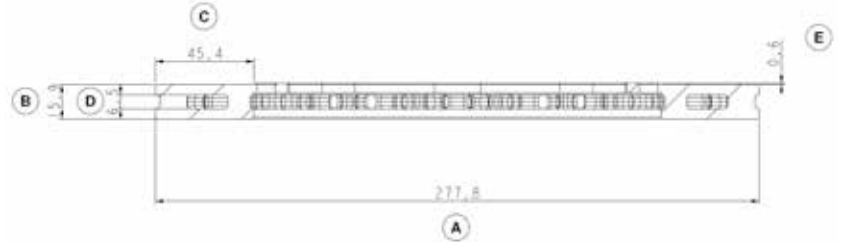


Technical Specifications

A Diameter (mm)	273
B Thickness (mm)	9
C Annulus (mm) (Maximum useable pad width)	36.5
D Air Gap (mm)	0
E Offset (mm)	+ 1
F Dia. & No. of Bolt holes (mm)	6.4 (x10)
Weight (kg)	2.3
Vent Design	Solid

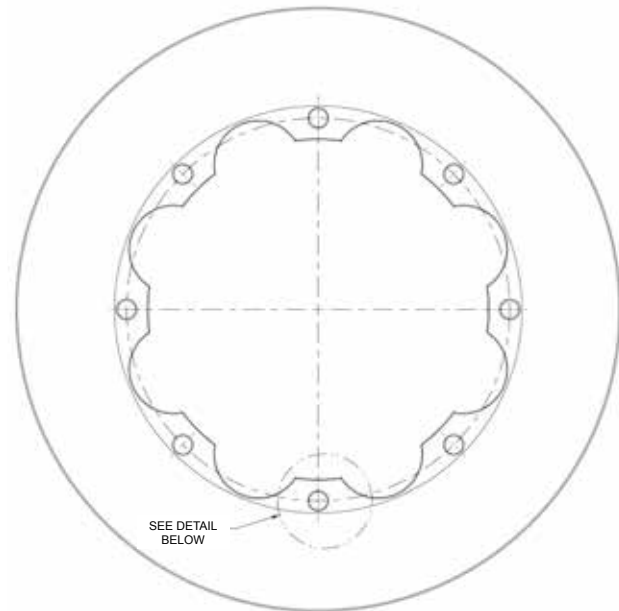


DBA Part No. **DBA 5003.1**



Technical Specifications

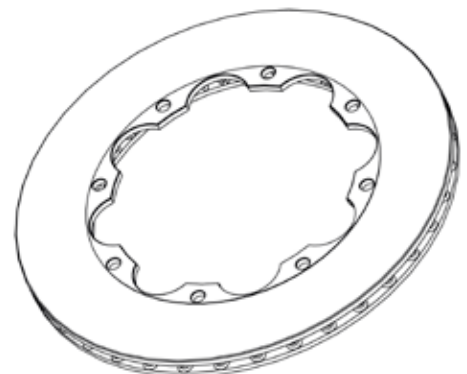
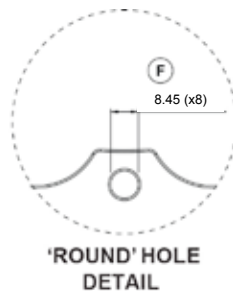
A	Diameter (mm)	277.8
B	Thickness (mm)	15.9
C	Annulus (mm) (Maximum useable pad width)	45.4
D	Air Gap (mm)	6.5
E	Offset (mm)	+ 0.6
F	Dia. & No. of Bolt holes (mm)	8.45 (x8)
	Weight (kg)	2.72



Vent Design

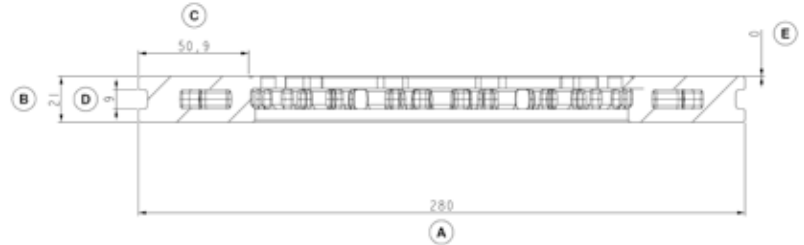


Kangaroo Paw




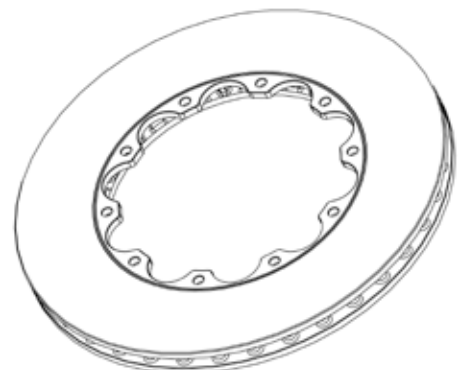
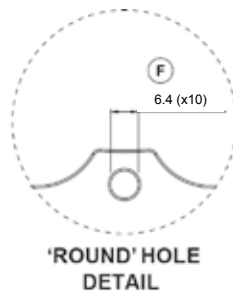
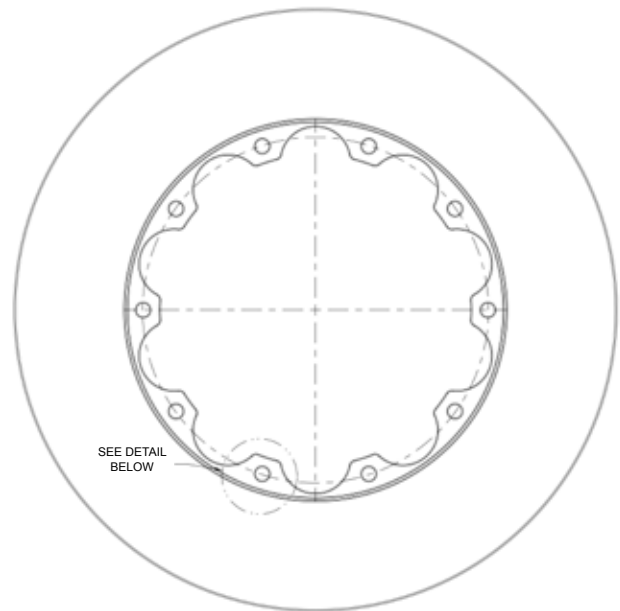
DBA Part No. **DBA 52545.1**

(Supplied with 1/4" UNF NAS crimp nuts)

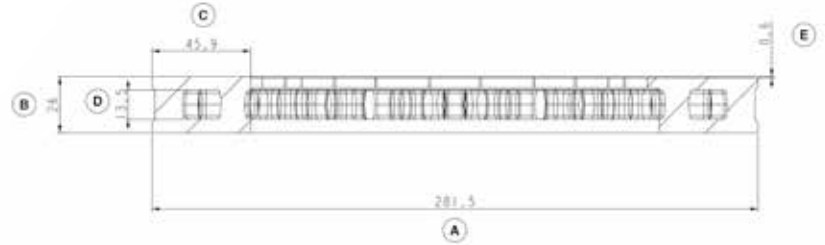


Technical Specifications


A	Diameter (mm)	280
B	Thickness (mm)	21
C	Annulus (mm) (Maximum useable pad width)	50.9
D	Air Gap (mm)	9
E	Offset (mm)	0
F	Dia. & No. of Bolt holes (mm)	6.4 (x10)
	Weight (kg)	4.0
	Vent Design	 Kangaroo Paw

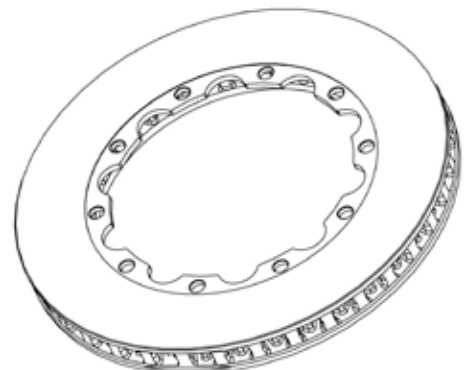
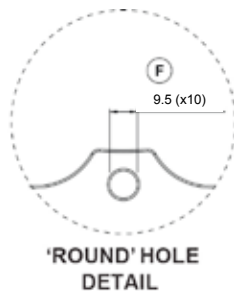
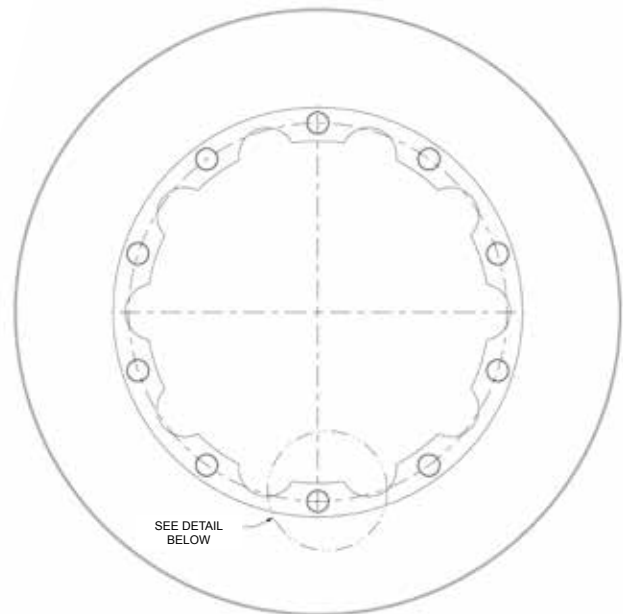


DBA Part No. **DBA RADICAL II**



Technical Specifications

A Diameter (mm)	281.5
B Thickness (mm)	26
C Annulus (mm) (Maximum useable pad width)	46
D Air Gap (mm)	13.5
E Offset (mm)	- 0.6
F Dia. & No. of Bolt holes (mm)	9.5 (x10)
Weight (kg)	4.2
Vent Design	 Kangaroo Paw

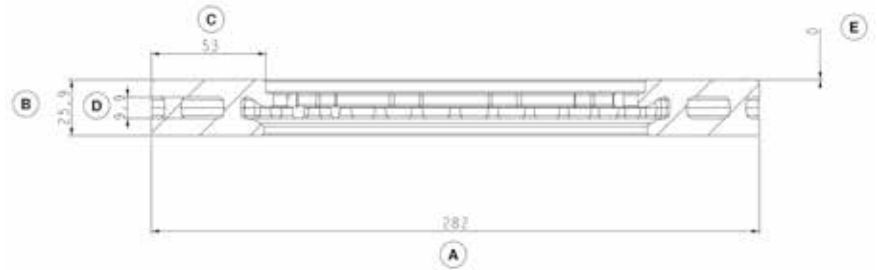


DBA Part Nos.

DBA 5355.1L

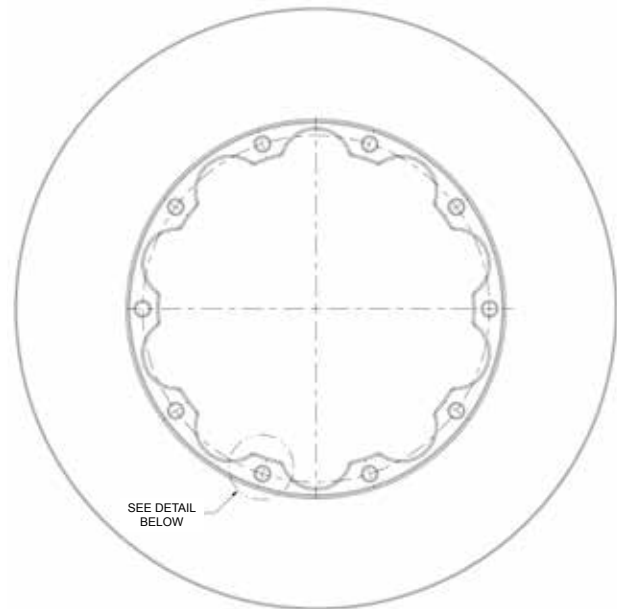
DBA 5355.1R

(Supplied with 1/4" UNF NAS crimp nuts)



Technical Specifications

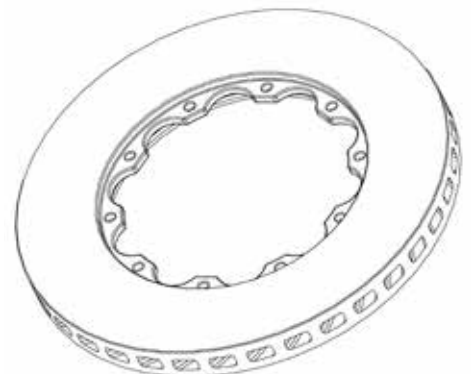
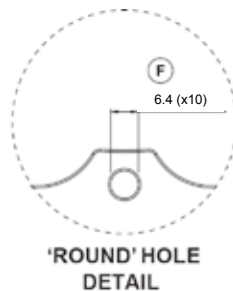
A Diameter (mm)	282
B Thickness (mm)	25.9
C Annulus (mm) (Maximum useable pad width)	53
D Air Gap (mm)	9.9
E Offset (mm)	0
F Dia. & No. of Bolt holes (mm)	6.4 (x10)
Weight (kg)	5.31



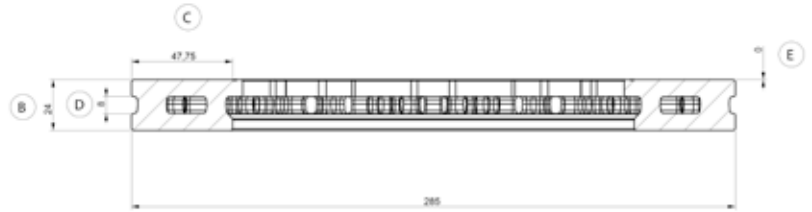
Vent Design



Curved Vanes

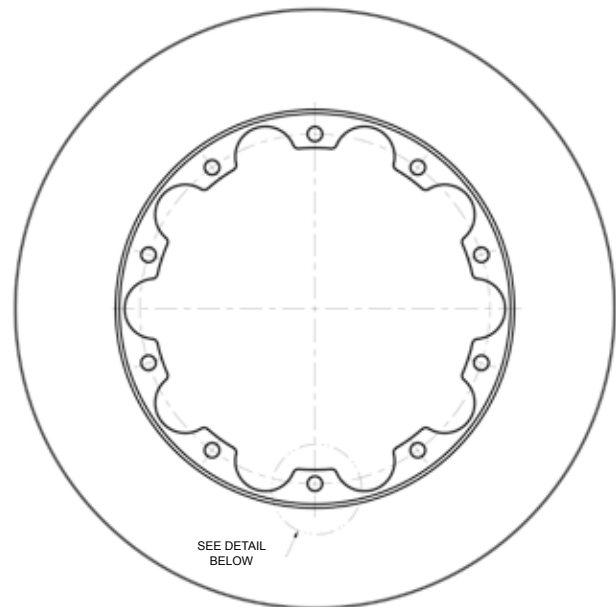


DBA Part No. **DBA 53900**



Technical Specifications

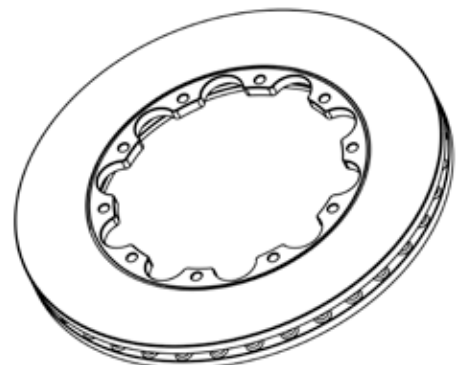
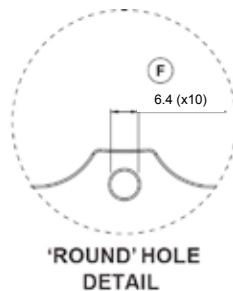
A Diameter (mm)	285
B Thickness (mm)	24
C Annulus (mm) (Maximum useable pad width)	47.75
D Air Gap (mm)	8
E Offset (mm)	0
F Dia. & No. of Bolt holes (mm)	6.4 x 10
Weight (kg)	4.85



Vent Design

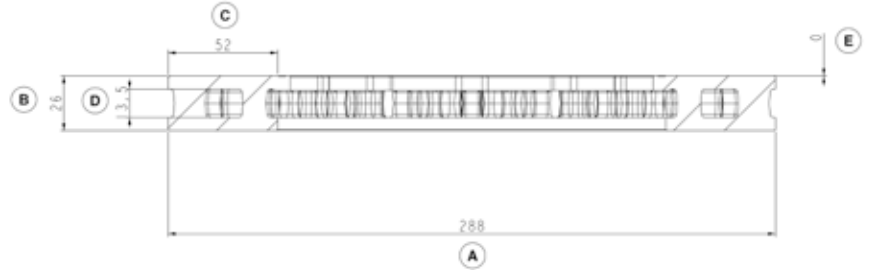


Kangaroo Paw



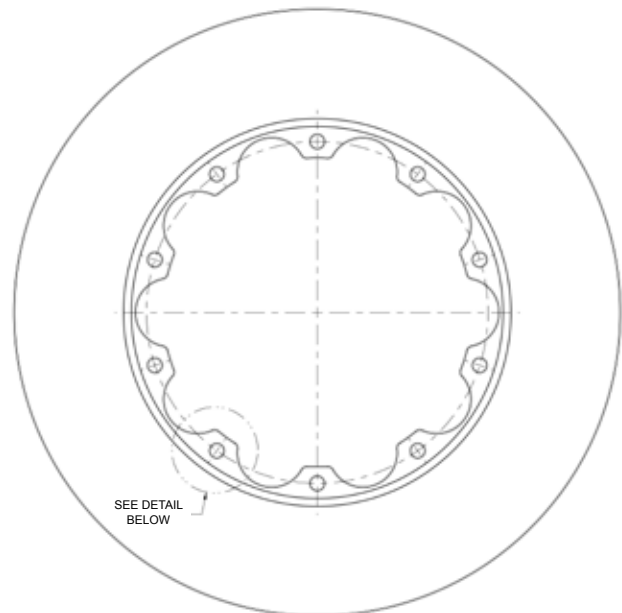
DBA Part No. **DBA 52355.1**

(Supplied with 1/4" UNF NAS crimp nuts)



Technical Specifications

A Diameter (mm)	288
B Thickness (mm)	26
C Annulus (mm) (Maximum useable pad width)	52
D Air Gap (mm)	13.5
E Offset (mm)	0
F Dia. & No. of Bolt holes (mm)	6.4 (x10)
Weight (kg)	4.79



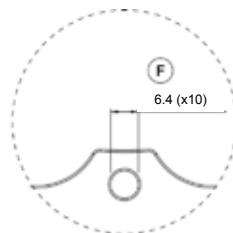
Vent Design



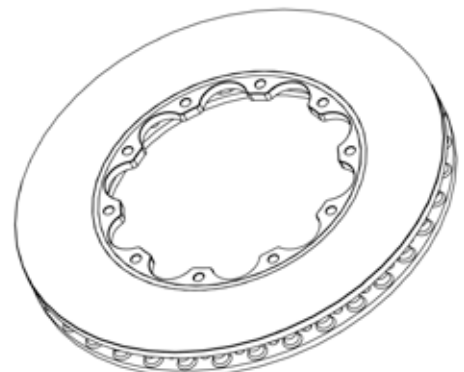
Kangaroo Paw



KANGAROO PAW

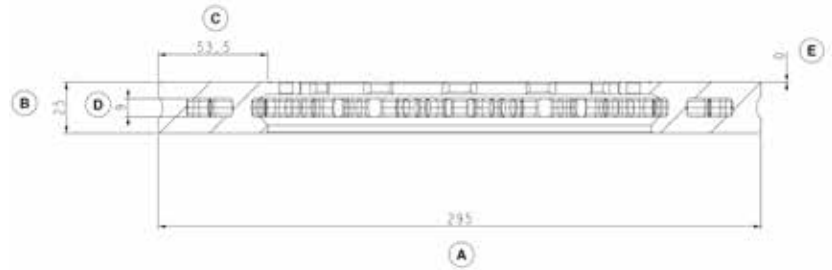


**'ROUND' HOLE
DETAIL**



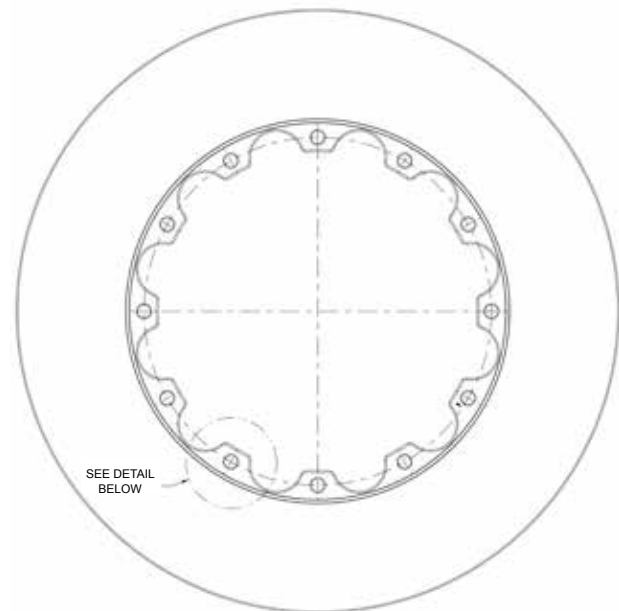
DBA Part No. **DBA 5000.1**

(Supplied with 1/4" UNF NAS crimp nuts)



Technical Specifications

A Diameter (mm)	295
B Thickness (mm)	25
C Annulus (mm) (Maximum useable pad width)	53.5
D Air Gap (mm)	9
E Offset (mm)	0
F Dia. & No. of Bolt holes (mm)	6.4 (x12)
Weight (kg)	5.21



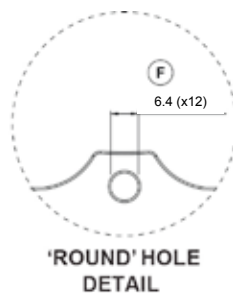
Vent Design



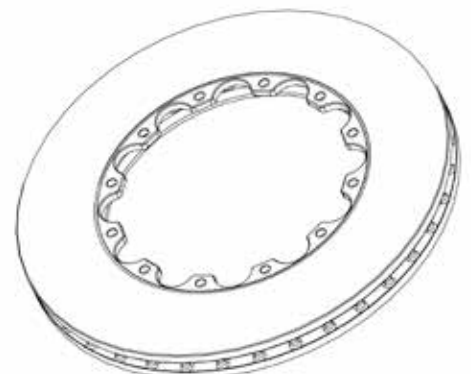
Kangaroo Paw



KANGAROO PAW

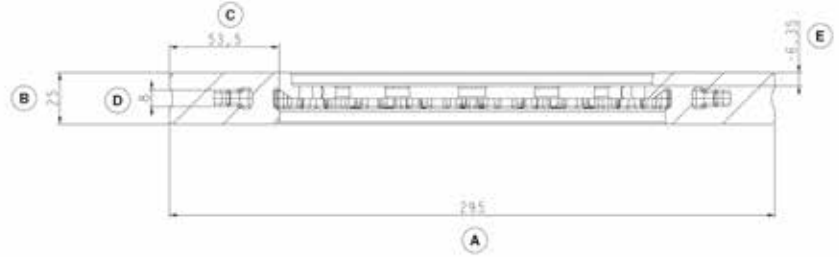


'ROUND' HOLE DETAIL



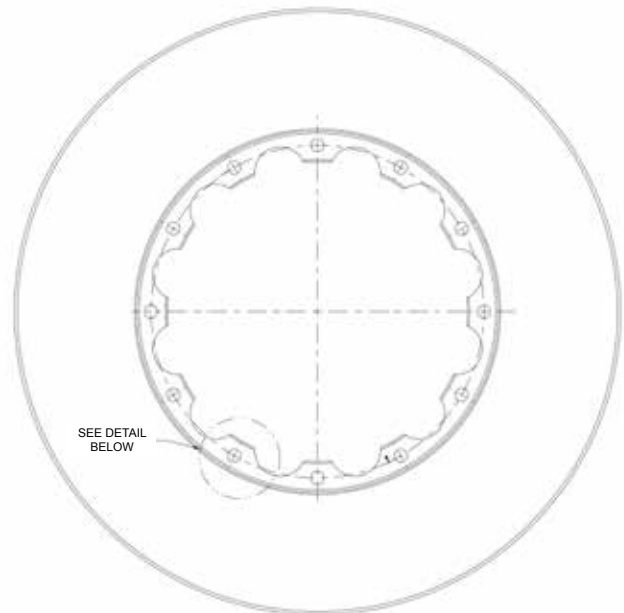
DBA Part No. **DBA 5010.1**

(Supplied with 1/4" UNF NAS crimp nuts)



Technical Specifications

A Diameter (mm)	295
B Thickness (mm)	25
C Annulus (mm) (Maximum useable pad width)	53.5
D Air Gap (mm)	8
E Offset (mm)	- 6.35
F Dia. & No. of Bolt holes (mm)	6.4 (x12)
Weight (kg)	5.99



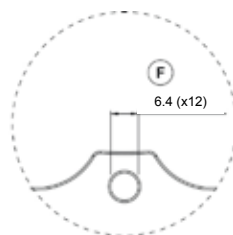
Vent Design



Kangaroo Paw



KANGAROO PAW

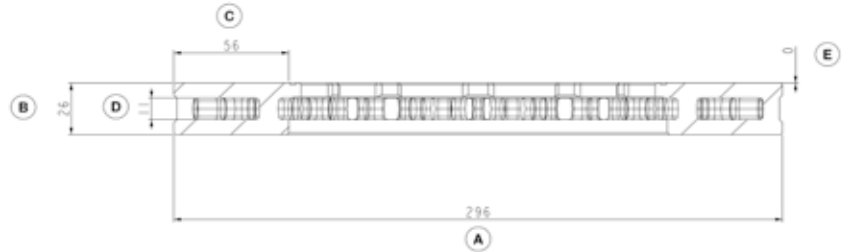


**'ROUND' HOLE
DETAIL**



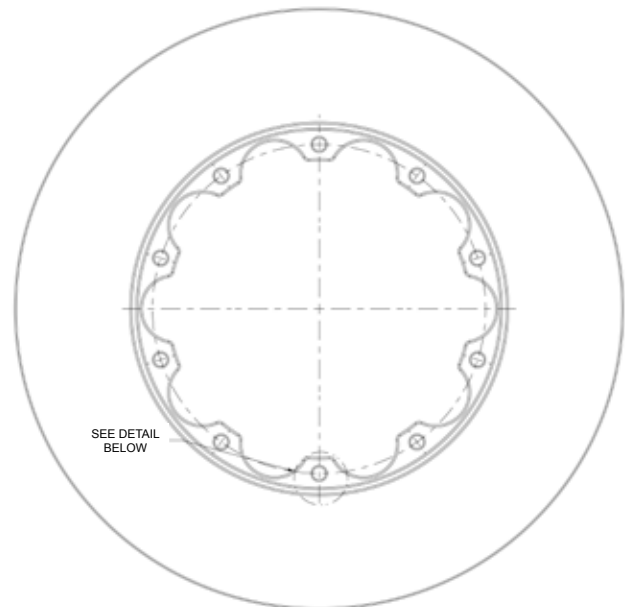
DBA Part No. **DBA 52358.1**

(Supplied with 1/4" UNF NAS crimp nuts)



Technical Specifications

A Diameter (mm)	296
B Thickness (mm)	26
C Annulus (mm) (Maximum useable pad width)	56
D Air Gap (mm)	11
E Offset (mm)	0
F Dia. & No. of Bolt holes (mm)	6.4 (x10)
Weight (kg)	5.32



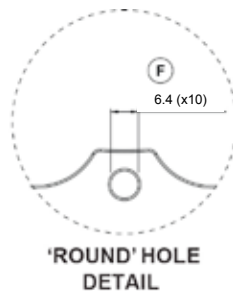
Vent Design



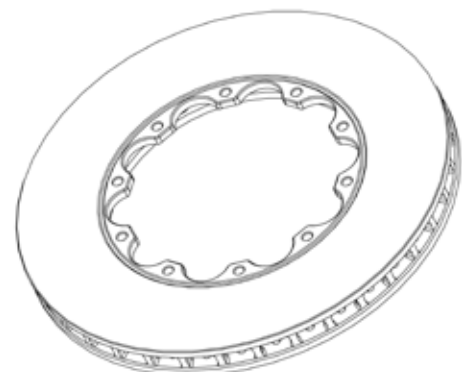
Kangaroo Paw



KANGAROO PAW

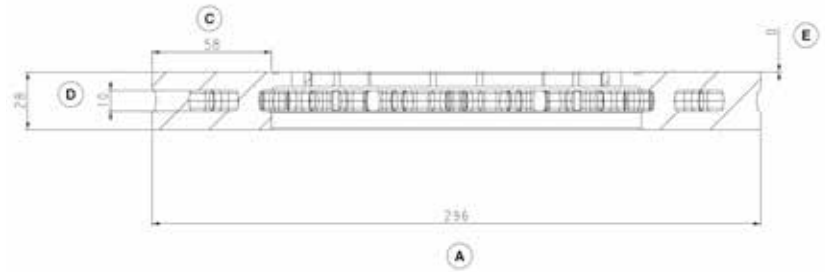


'ROUND' HOLE DETAIL



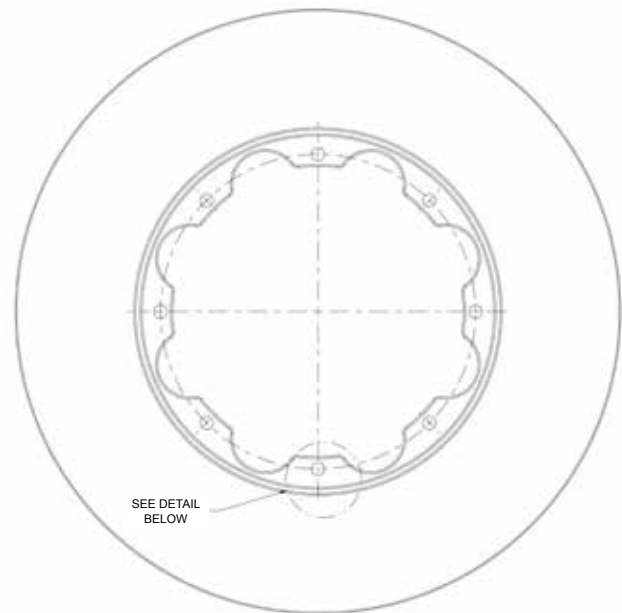
DBA Part No. **DBA 5040.1**

(Supplied with 1/4" UNF NAS crimp nuts)



Technical Specifications

A Diameter (mm)	296
B Thickness (mm)	28
C Annulus (mm) (Maximum useable pad width)	58
D Air Gap (mm)	10
E Offset (mm)	0
F Dia. & No. of Bolt holes (mm)	6.4 (x8)
Weight (kg)	6.67



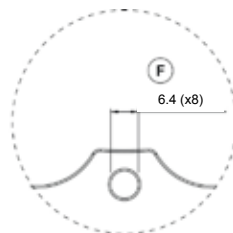
Vent Design



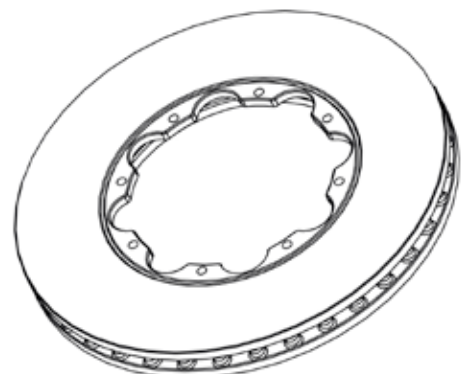
Kangaroo Paw



KANGAROO PAW



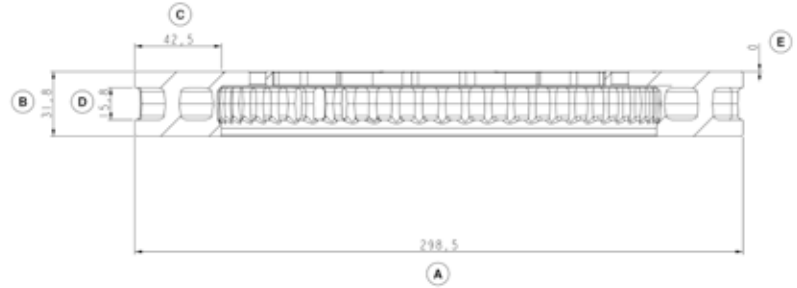
**'ROUND' HOLE
DETAIL**



DBA Part Nos.

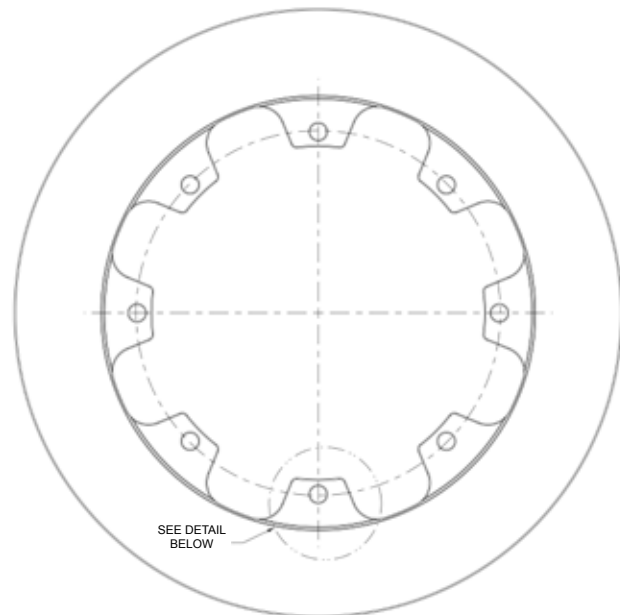
DBA 52919.1L

DBA 52919.1R



Technical Specifications

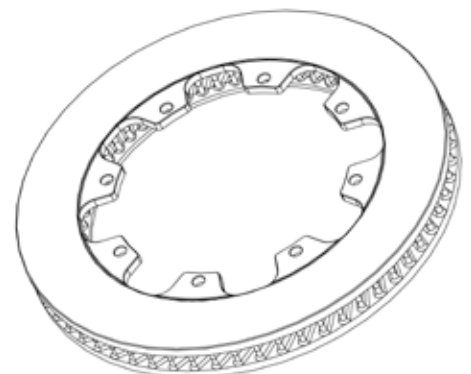
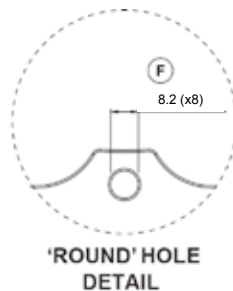
A	Diameter (mm)	298.5
B	Thickness (mm)	31.8
C	Annulus (mm) (Maximum useable pad width)	42.5
D	Air Gap (mm)	15.8
E	Offset (mm)	0
F	Dia. & No. of Bolt holes (mm)	8.2 (x8)
	Weight (kg)	5.5



Vent Design

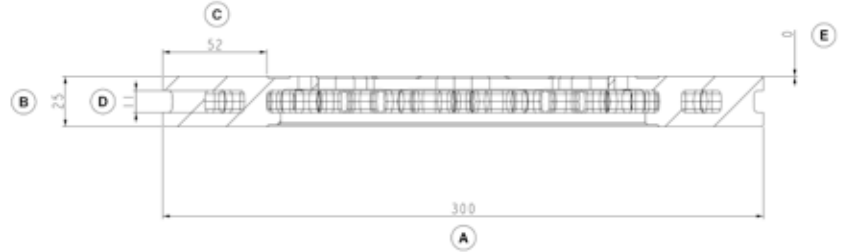


Curved Vanes



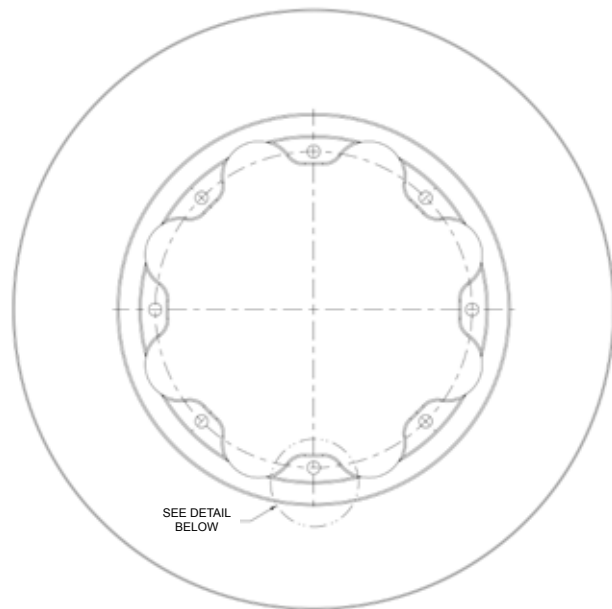
DBA Part No. **DBA 52500.1**

(Supplied with 1/4" UNF NAS crimp nuts)



Technical Specifications

A Diameter (mm)	300
B Thickness (mm)	25
C Annulus (mm) (Maximum useable pad width)	52
D Air Gap (mm)	11
E Offset (mm)	0
F Dia. & No. of Bolt holes (mm)	6.4 (x8)
Weight (kg)	5.57



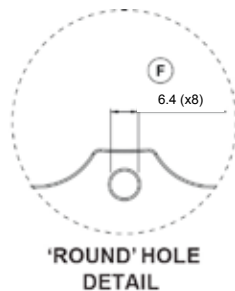
Vent Design



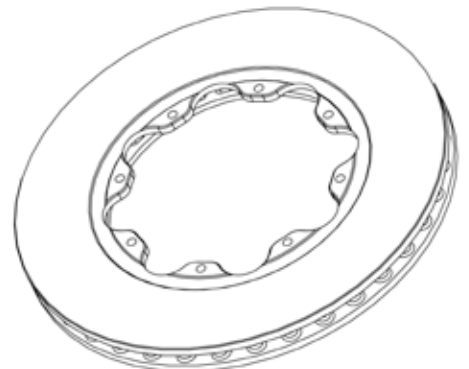
Kangaroo Paw



KANGAROO PAW

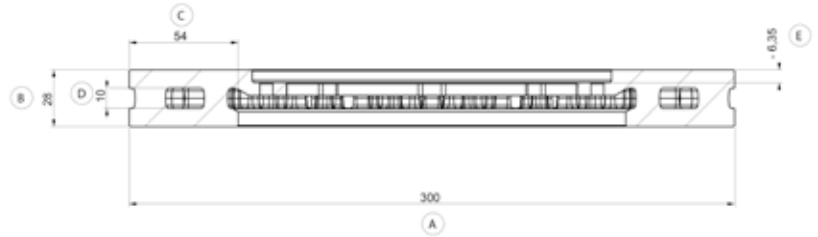


**'ROUND' HOLE
DETAIL**



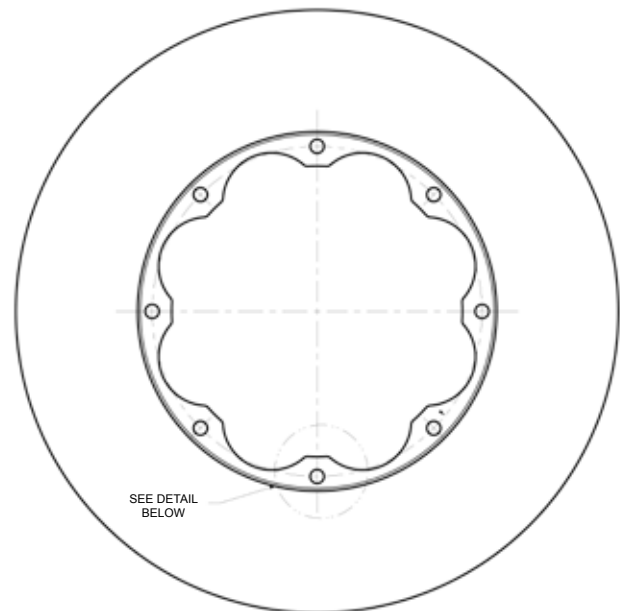
DBA Part No. **DBA 52510.1**

(Supplied with 1/4" UNF NAS crimp nuts)



Technical Specifications

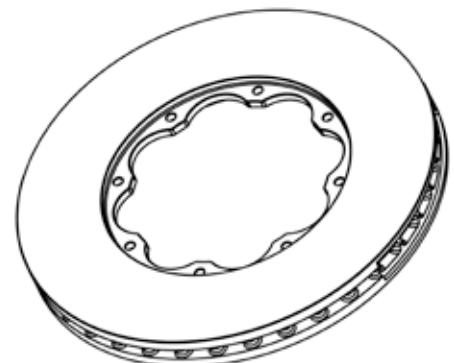
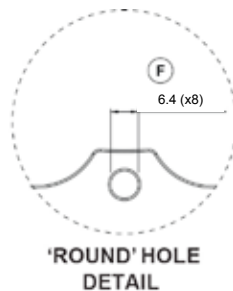
A	Diameter (mm)	300
B	Thickness (mm)	28
C	Annulus (mm) (Maximum useable pad width)	54
D	Air Gap (mm)	10
E	Offset (mm)	- 6.35
F	Dia. & No. of Bolt holes (mm)	6.4 (x8)
	Weight (kg)	6.7



Vent Design



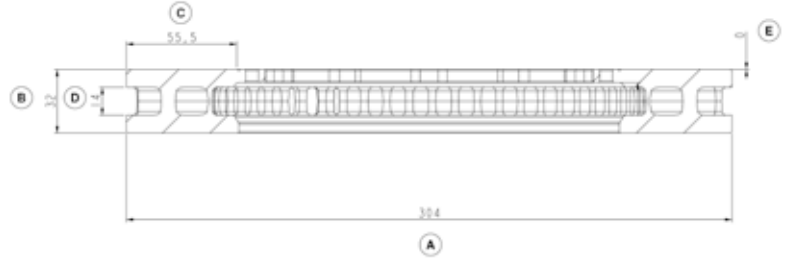
Kangaroo Paw




DBA Part Nos.

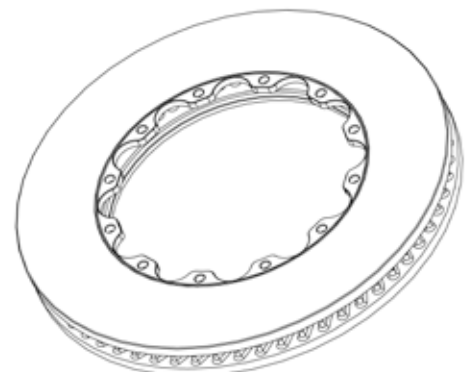
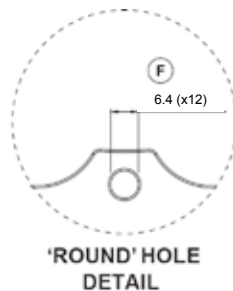
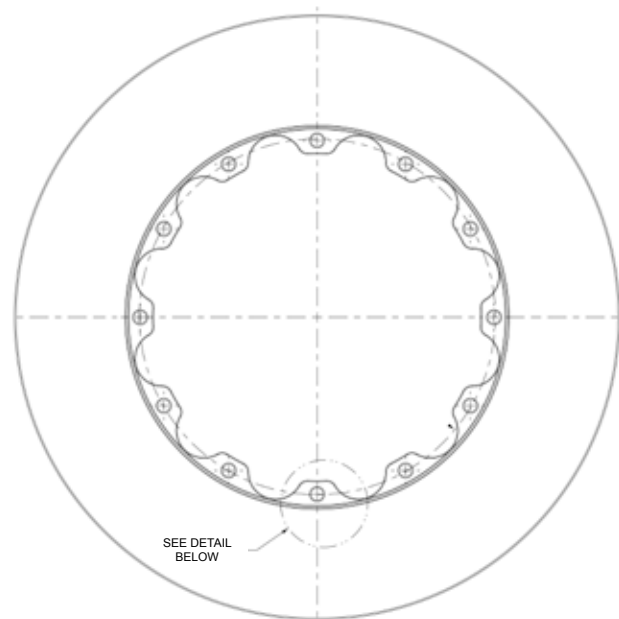
DBA 52921.1L

DBA 52921.1R

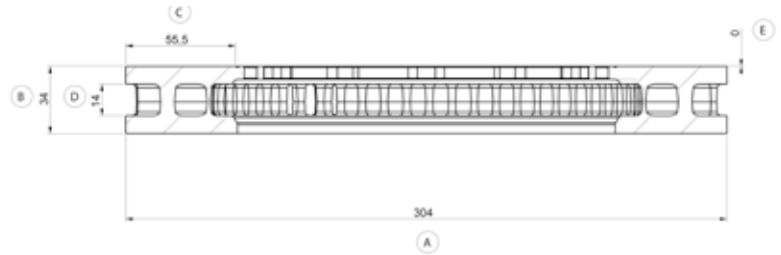


Technical Specifications

A Diameter (mm)	304
B Thickness (mm)	32
C Annulus (mm) (Maximum useable pad width)	55.5
D Air Gap (mm)	14
E Offset (mm)	0
F Dia. & No. of Bolt holes (mm)	6.4 (x12)
Weight (kg)	6.8
Vent Design	 Curved Vanes

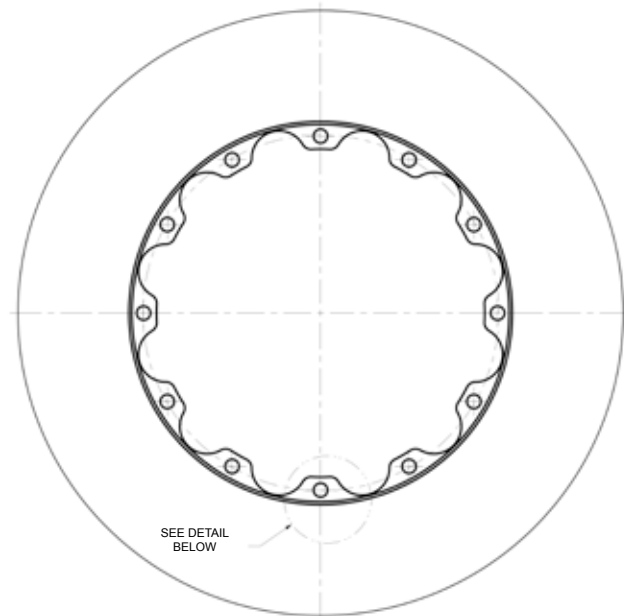


DBA Part Nos.
DBA 52973.1L
DBA 52973.1R



Technical Specifications

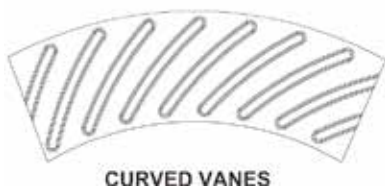
A Diameter (mm)	304
B Thickness (mm)	34
C Annulus (mm) (Maximum useable pad width)	55.5
D Air Gap (mm)	14
E Offset (mm)	0
F Dia. & No. of Bolt holes (mm)	6.4 (x12)
Weight (kg)	7.06



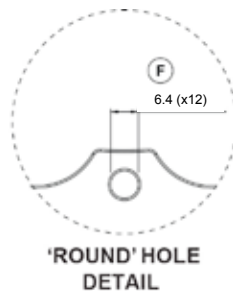
Vent Design



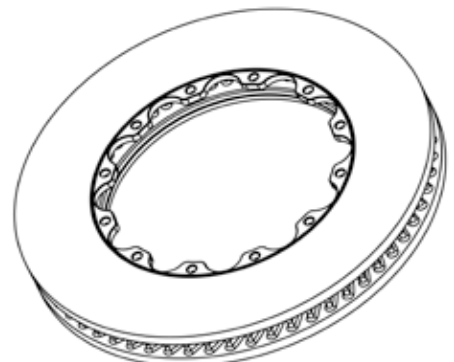
Curved Vanes



CURVED VANES



**'ROUND' HOLE
DETAIL**

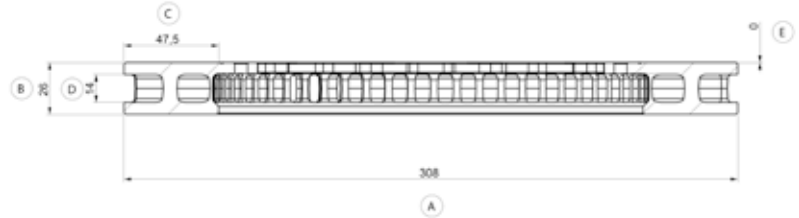


DBA Part Nos.

DBA 52231.1L

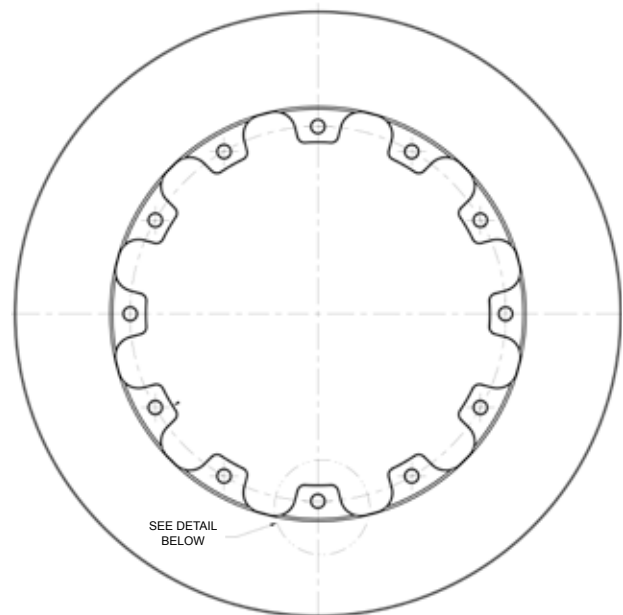
DBA 52231.1R

(Supplied with 1/4" UNF NAS crimp nuts)



Technical Specifications

A Diameter (mm)	304
B Thickness (mm)	26
C Annulus (mm) (Maximum useable pad width)	55.5
D Air Gap (mm)	14
E Offset (mm)	0
F Dia. & No. of Bolt holes (mm)	6.4 (x12)
Weight (kg)	4.7



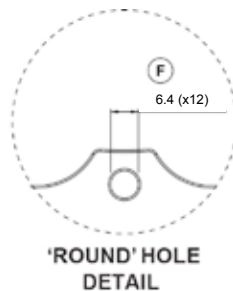
Vent Design



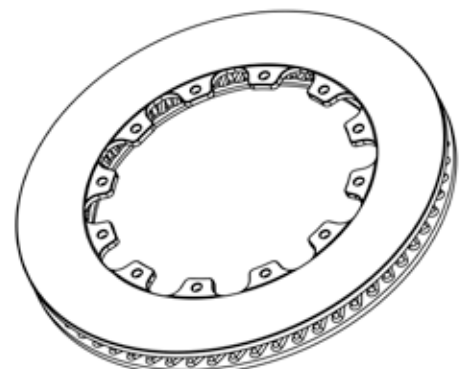
Curved Vanes



CURVED VANES

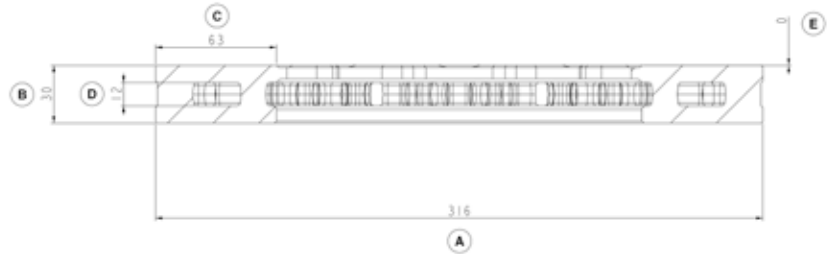


'ROUND' HOLE DETAIL



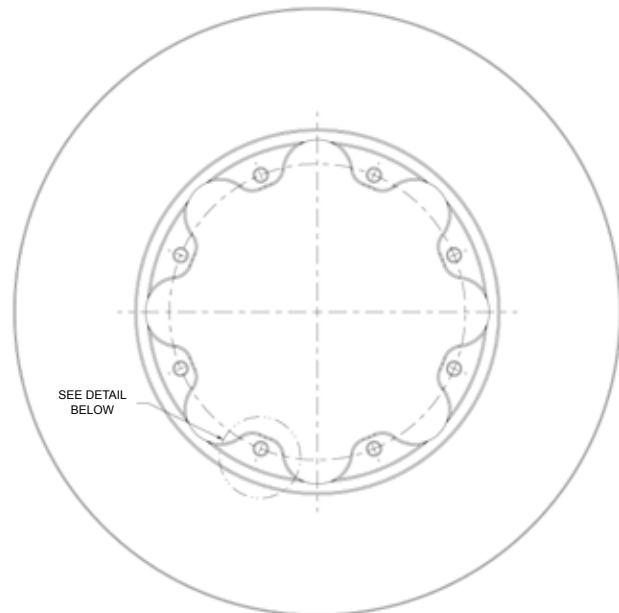
DBA Part No. **DBA 52650.1**

(Supplied with 1/4" UNF NAS crimp nuts)



Technical Specifications

A Diameter (mm)	316
B Thickness (mm)	30
C Annulus (mm) (Maximum useable pad width)	63
D Air Gap (mm)	12
E Offset (mm)	0
F Dia. & No. of Bolt holes (mm)	6.4 (x8)
Weight (kg)	7.9



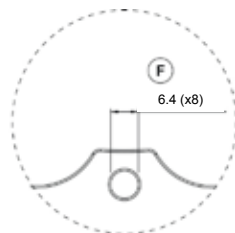
Vent Design



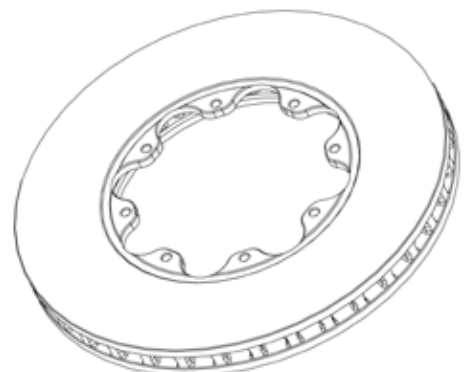
Kangaroo Paw



KANGAROO PAW

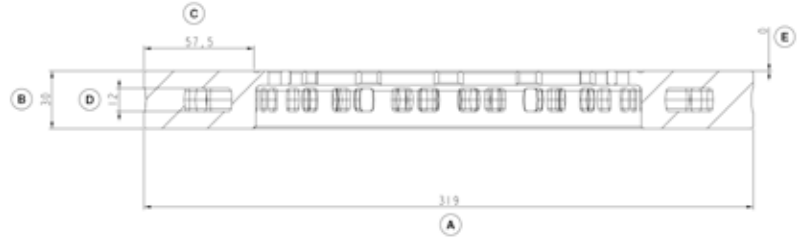


**'ROUND' HOLE
DETAIL**



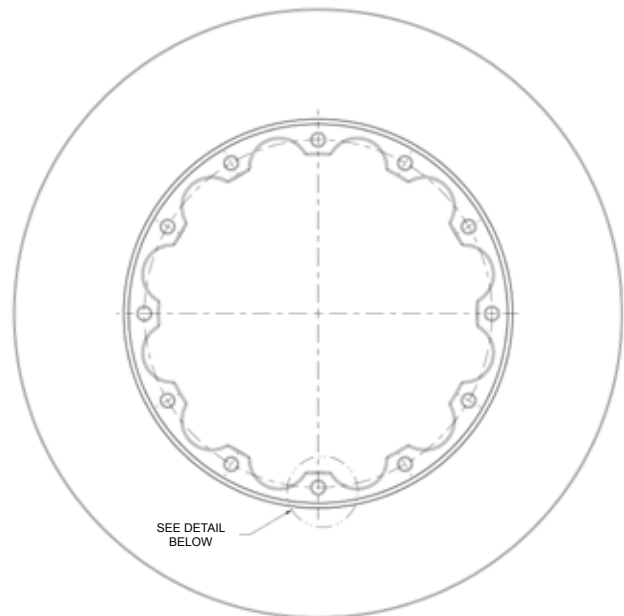
DBA Part No. **DBA 52113.1**

(Supplied with 1/4" UNF NAS crimp nuts)



Technical Specifications

A Diameter (mm)	319
B Thickness (mm)	30
C Annulus (mm) (Maximum useable pad width)	57.5
D Air Gap (mm)	12
E Offset (mm)	0
F Dia. & No. of Bolt holes (mm)	6.4 (x12)
Weight (kg)	7.64



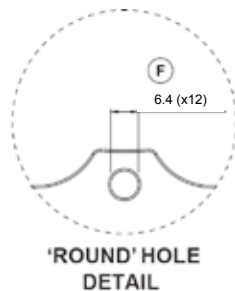
Vent Design



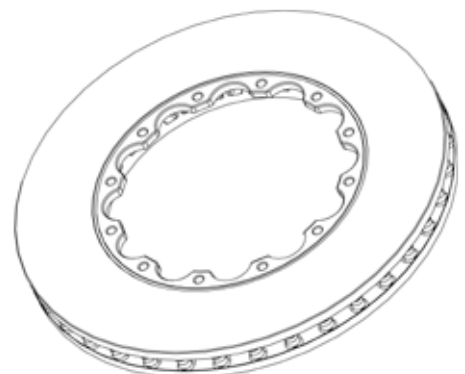
Kangaroo Paw



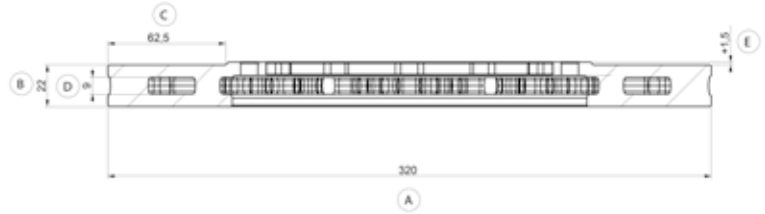
KANGAROO PAW



**'ROUND' HOLE
DETAIL**

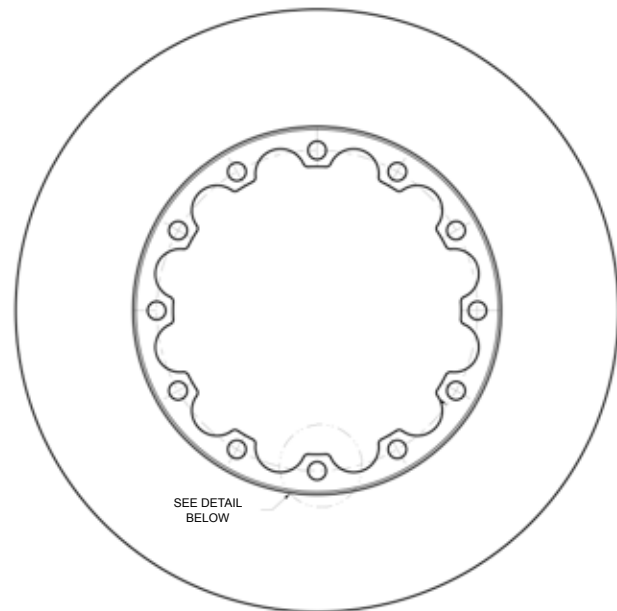


DBA Part No. **DBA 52123.1**



Technical Specifications

A	Diameter (mm)	320
B	Thickness (mm)	22
C	Annulus (mm) (Maximum useable pad width)	62.5
D	Air Gap (mm)	9
E	Offset (mm)	1.5
F	Dia. & No. of Bolt holes (mm)	9.05 (x12)
	Weight (kg)	6.03



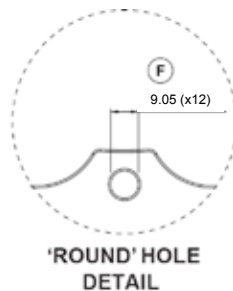
Vent Design



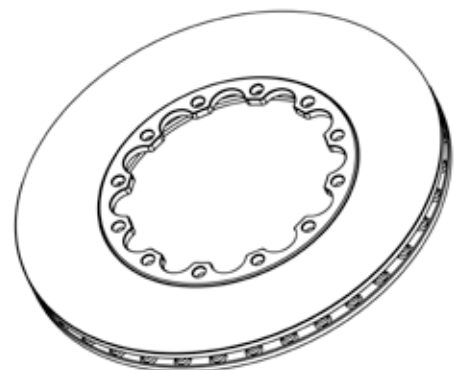
Kangaroo Paw



KANGAROO PAW

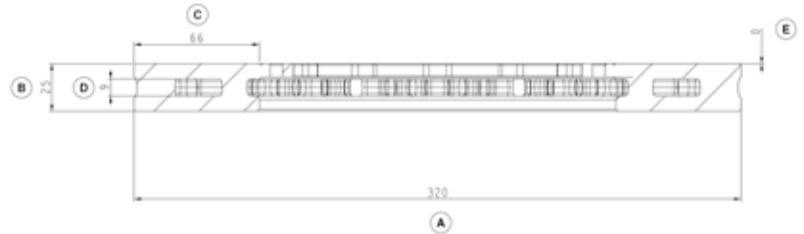


**'ROUND' HOLE
DETAIL**




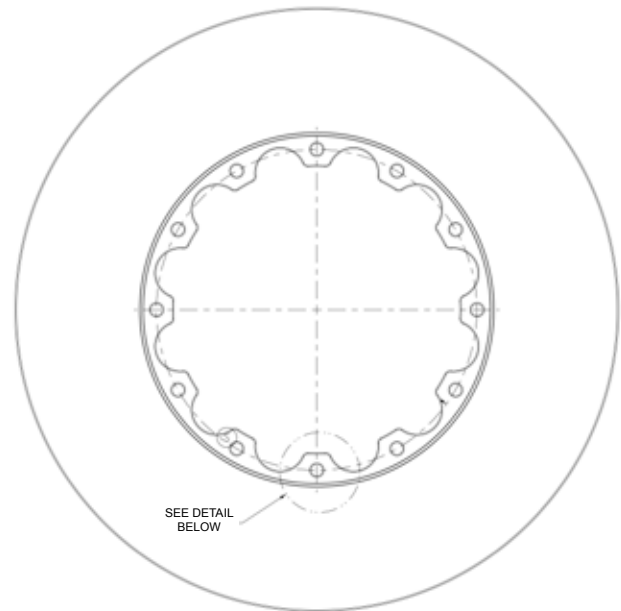
DBA Part No. **DBA 52120.1**

(Supplied with 1/4" UNF NAS crimp nuts)

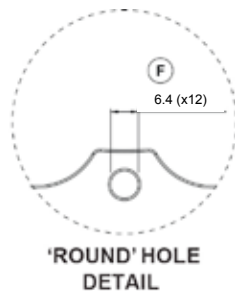


Technical Specifications

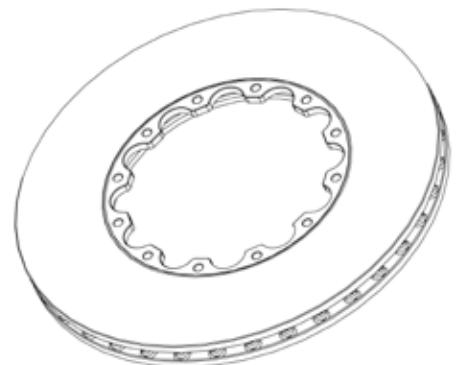
A Diameter (mm)	320
B Thickness (mm)	25
C Annulus (mm) (Maximum useable pad width)	66
D Air Gap (mm)	9
E Offset (mm)	0
F Dia. & No. of Bolt holes (mm)	6.4 (x12)
Weight (kg)	7.15
Vent Design	 Kangaroo Paw



KANGAROO PAW

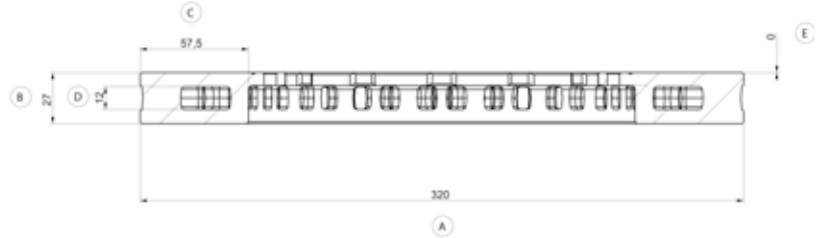


**'ROUND' HOLE
DETAIL**



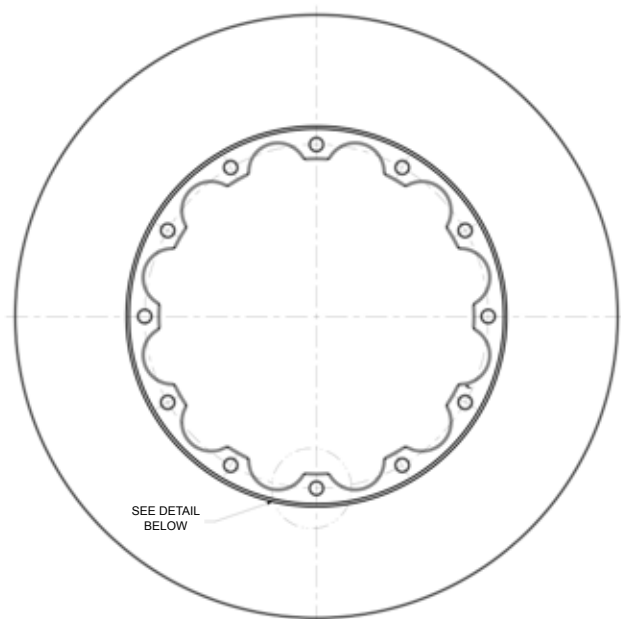
DBA Part No. **DBA 52468.1**

(Supplied with 1/4" UNF NAS crimp nuts)



Technical Specifications

A Diameter (mm)	320
B Thickness (mm)	27
C Annulus (mm) (Maximum useable pad width)	57.5
D Air Gap (mm)	12
E Offset (mm)	0
F Dia. & No. of Bolt holes (mm)	6.4 (x12)
Weight (kg)	6.55



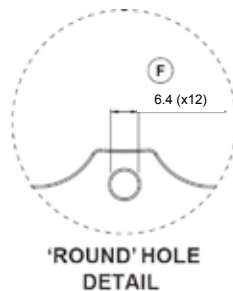
Vent Design



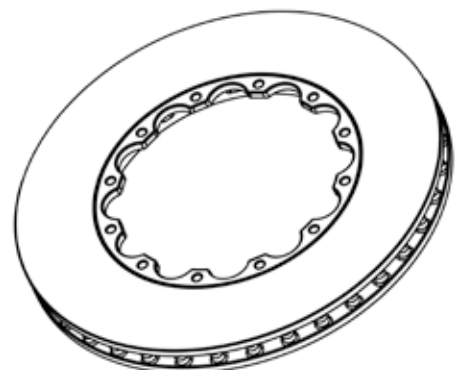
Kangaroo Paw



KANGAROO PAW

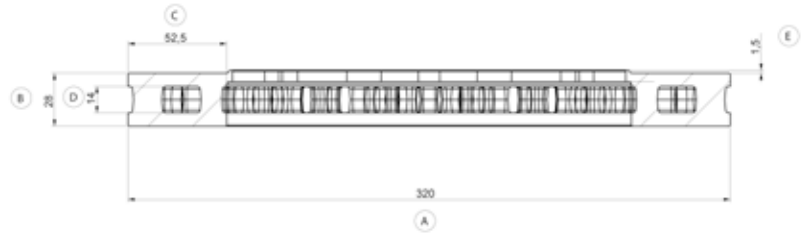


'ROUND' HOLE DETAIL



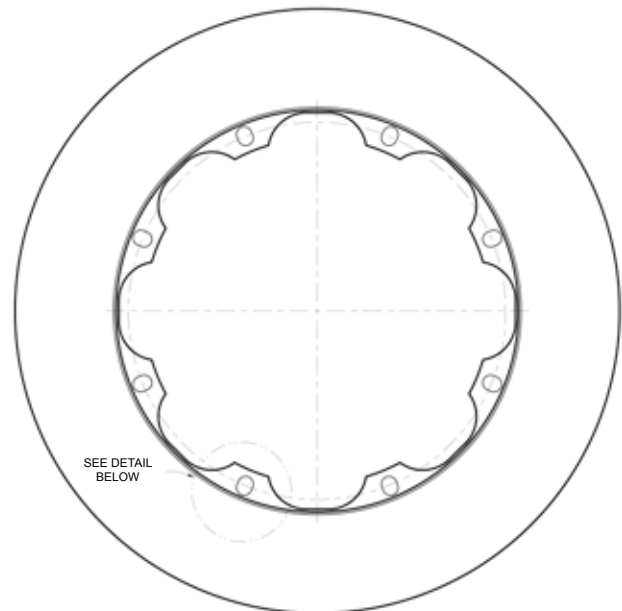
DBA Part No. **DBA 52525.1**

(Supplied with 1/4" UNF NAS crimp nuts)



Technical Specifications

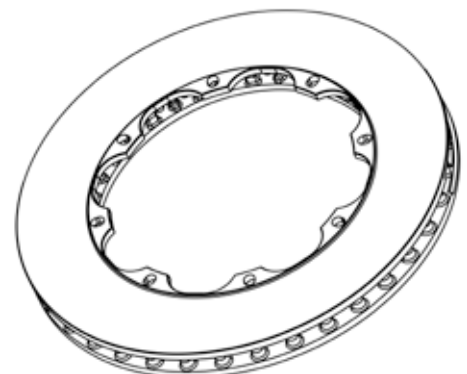
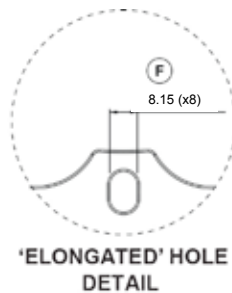
A Diameter (mm)	320
B Thickness (mm)	28
C Annulus (mm) (Maximum useable pad width)	52.5
D Air Gap (mm)	14
E Offset (mm)	+ 1.5
F Dia. & No. of Bolt holes (mm)	8.15 (x8)
Weight (kg)	5.68



Vent Design

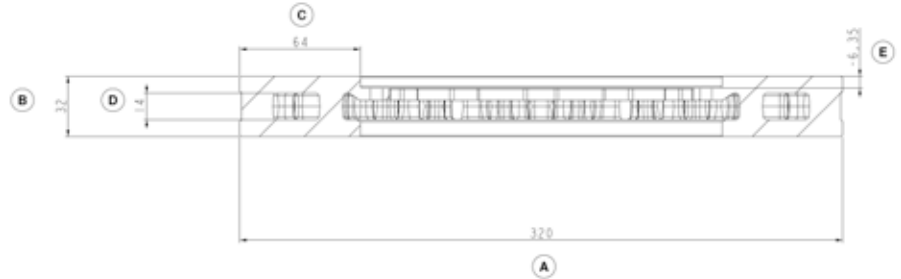


Kangaroo Paw



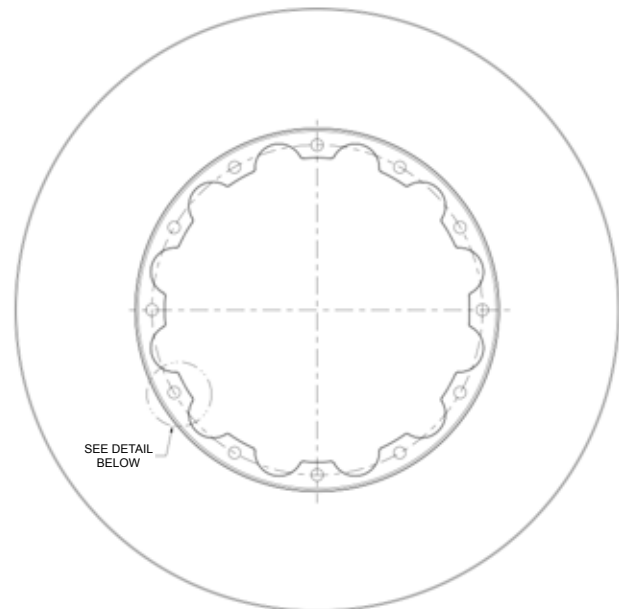
DBA Part No. **DBA 52218.1**

(Supplied with 1/4" UNF NAS crimp nuts)



Technical Specifications

A Diameter (mm)	320
B Thickness (mm)	32
C Annulus (mm) (Maximum useable pad width)	64
D Air Gap (mm)	14
E Offset (mm)	- 6.35
F Dia. & No. of Bolt holes (mm)	6.4 (x12)
Weight (kg)	8.2



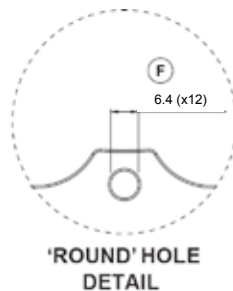
Vent Design



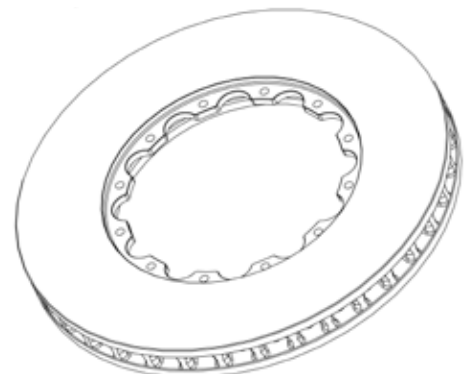
Kangaroo Paw



KANGAROO PAW

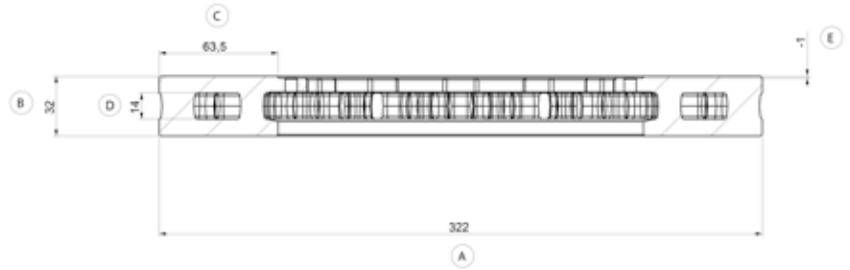


**'ROUND' HOLE
DETAIL**



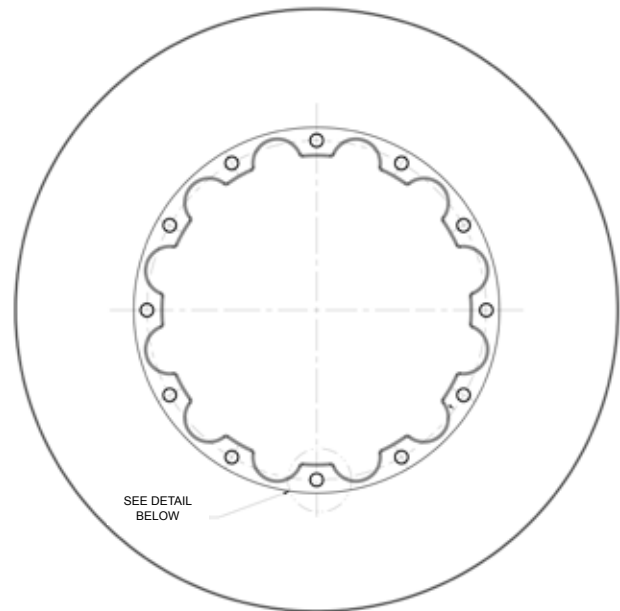
DBA Part No. **DBA 52390.1**

(Supplied with 1/4" UNF NAS crimp nuts)



Technical Specifications

A	Diameter (mm)	322
B	Thickness (mm)	32
C	Annulus (mm) (Maximum useable pad width)	63.5
D	Air Gap (mm)	14
E	Offset (mm)	- 1
F	Dia. & No. of Bolt holes (mm)	6.4 (x12)
	Weight (kg)	8.07



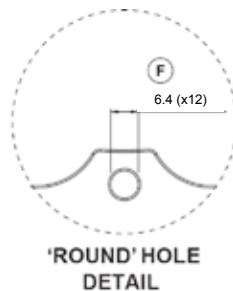
Vent Design



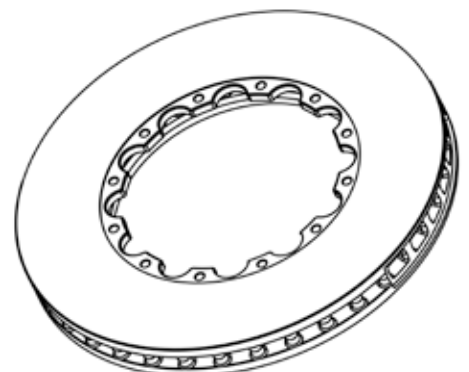
Kangaroo Paw



KANGAROO PAW

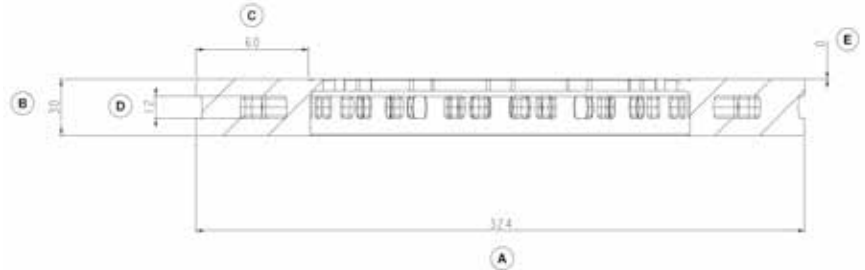


**'ROUND' HOLE
DETAIL**



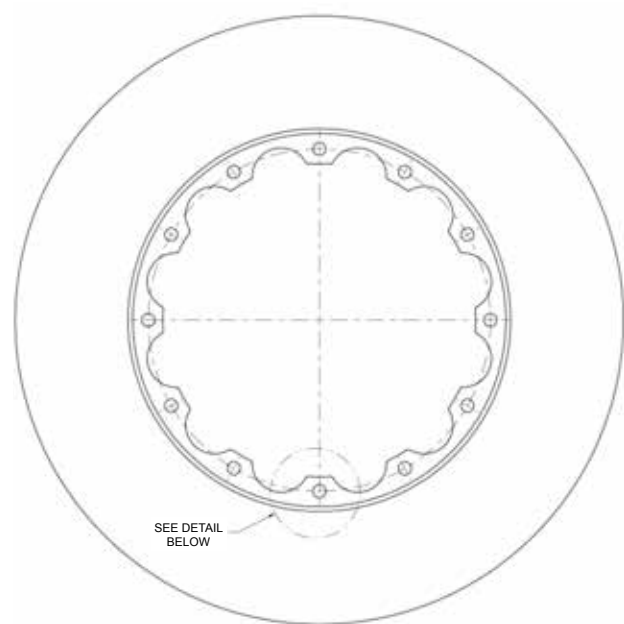
DBA Part No. **DBA 5928.1**

(Supplied with 1/4" UNF NAS crimp nuts)



Technical Specifications

A	Diameter (mm)	324
B	Thickness (mm)	30
C	Annulus (mm) (Maximum useable pad width)	60
D	Air Gap (mm)	12
E	Offset (mm)	0
F	Dia. & No. of Bolt holes (mm)	6.4 (x12)
	Weight (kg)	7.93



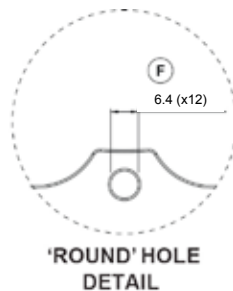
Vent Design



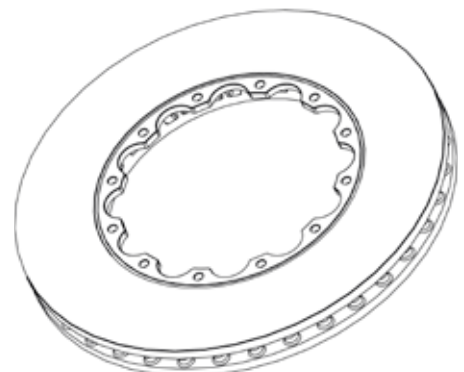
Kangaroo Paw



KANGAROO PAW



**'ROUND' HOLE
DETAIL**

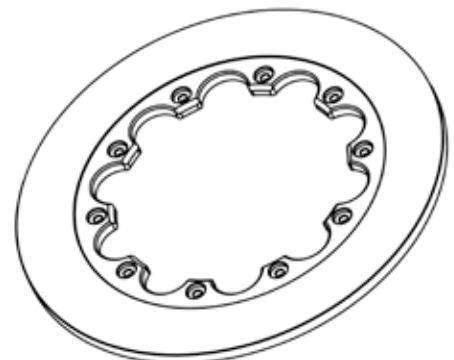
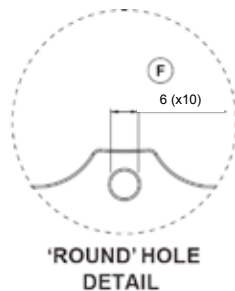
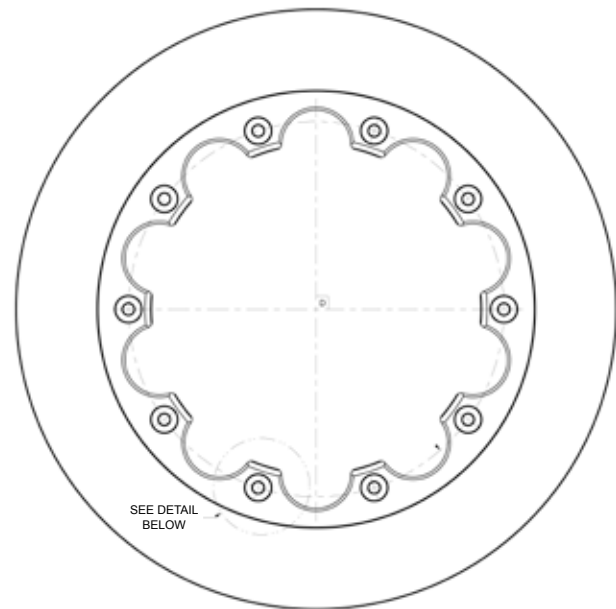


DBA Part No. **DBA 2979.1**



Technical Specifications

A Diameter (mm)	325
B Thickness (mm)	10.1
C Annulus (mm) (Maximum useable pad width)	44
D Air Gap (mm)	0
E Offset (mm)	- 0.5
F Dia. & No. of Bolt holes (mm)	6 (x10)
Weight (kg)	3.6
Vent Design	Solid



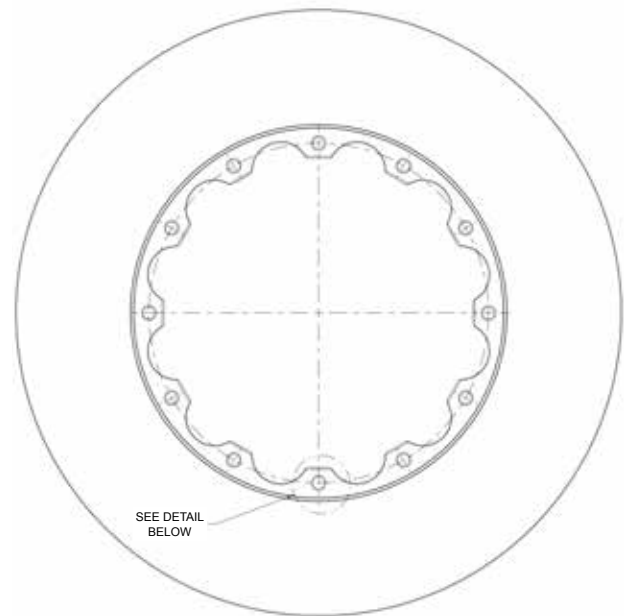
DBA Part No. **DBA 52880.1**

(Supplied with 1/4" UNF NAS crimp nuts)



Technical Specifications

A Diameter (mm)	325
B Thickness (mm)	28
C Annulus (mm) (Maximum useable pad width)	61.5
D Air Gap (mm)	12
E Offset (mm)	0
F Dia. & No. of Bolt holes (mm)	6.4 (x12)
Weight (kg)	7.28



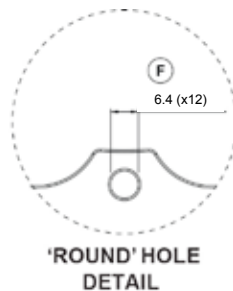
Vent Design



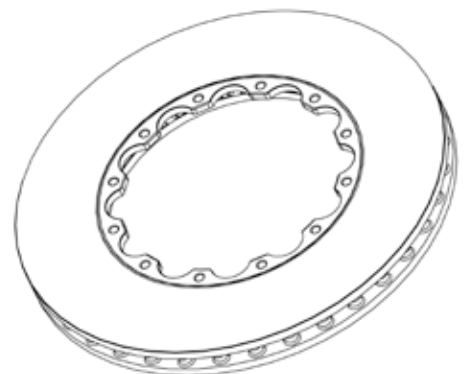
Kangaroo Paw



KANGAROO PAW



**'ROUND' HOLE
DETAIL**

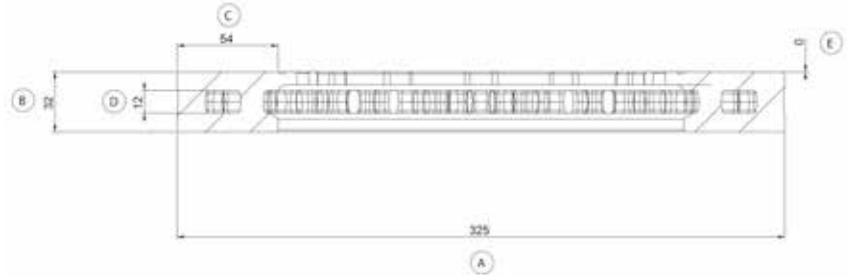


DBA Part Nos.

DBA 5067.1

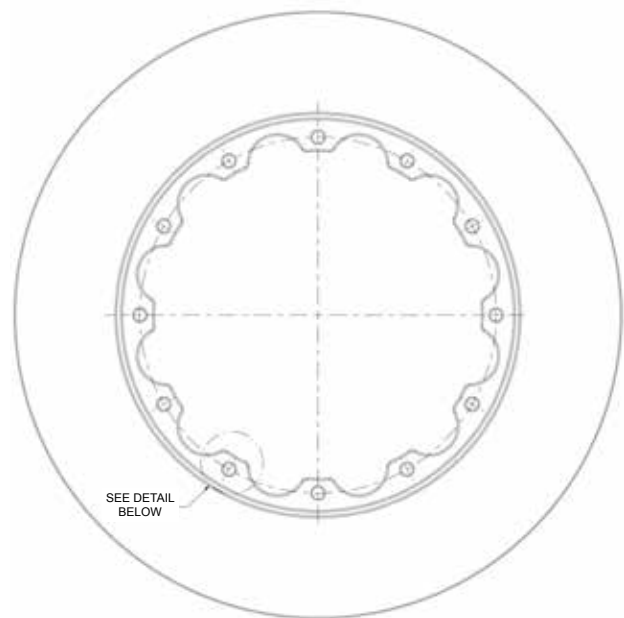
DBA 52994.1

(Supplied with 1/4" UNF NAS crimp nuts)



Technical Specifications

A Diameter (mm)	325
B Thickness (mm)	32
C Annulus (mm) (Maximum useable pad width)	54
D Air Gap (mm)	12
E Offset (mm)	0
F Dia. & No. of Bolt holes (mm)	6.4 (x12)
Weight (kg)	7.92



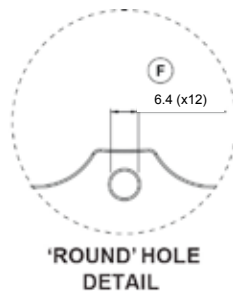
Vent Design



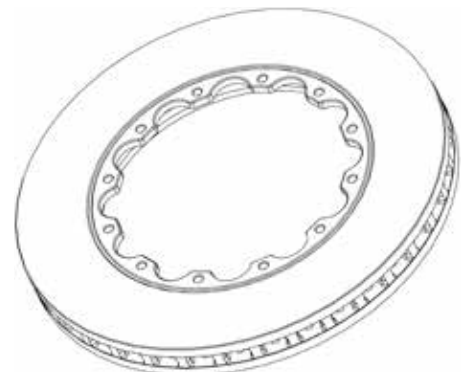
Kangaroo Paw



KANGAROO PAW

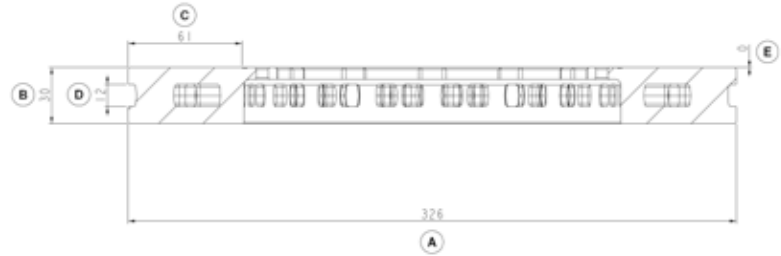


**'ROUND' HOLE
DETAIL**



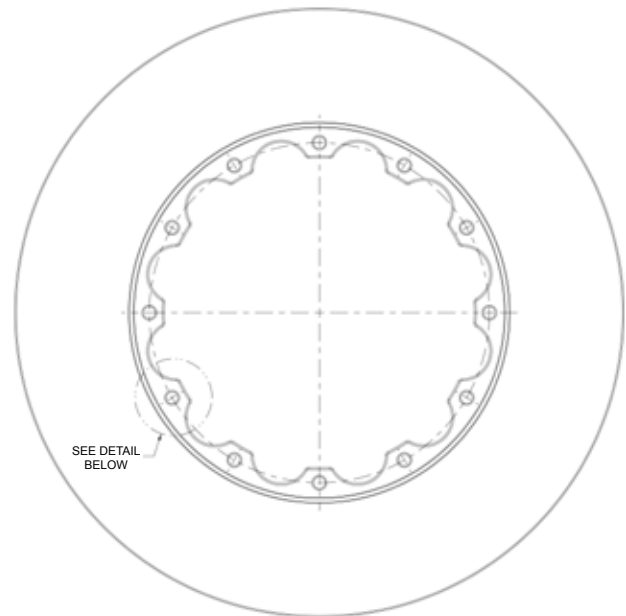
DBA Part No. **DBA 5654.1**

(Supplied with 1/4" UNF NAS crimp nuts)



Technical Specifications

A	Diameter (mm)	326
B	Thickness (mm)	30
C	Annulus (mm) (Maximum useable pad width)	61
D	Air Gap (mm)	12
E	Offset (mm)	0
F	Dia. & No. of Bolt holes (mm)	6.4 (x12)
	Weight (kg)	8.04



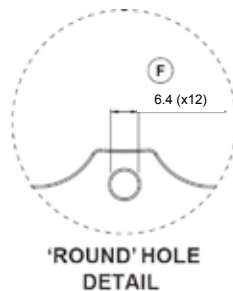
Vent Design



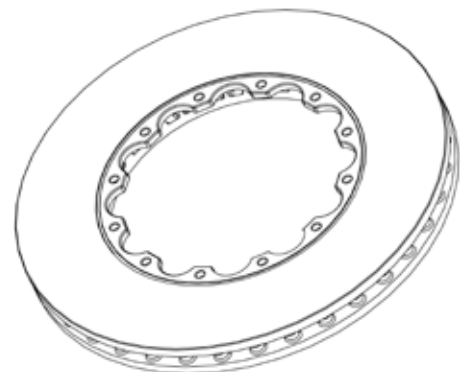
Kangaroo Paw



KANGAROO PAW

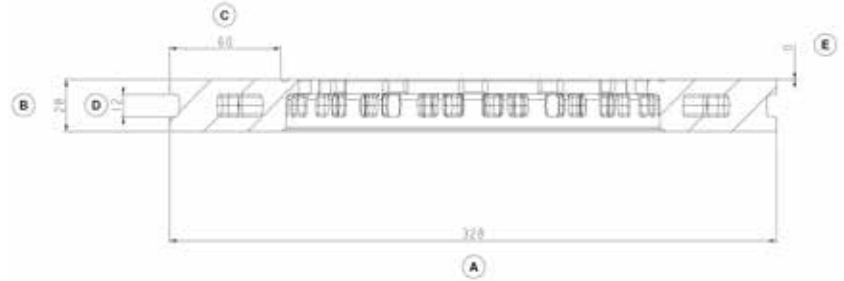


**'ROUND' HOLE
DETAIL**



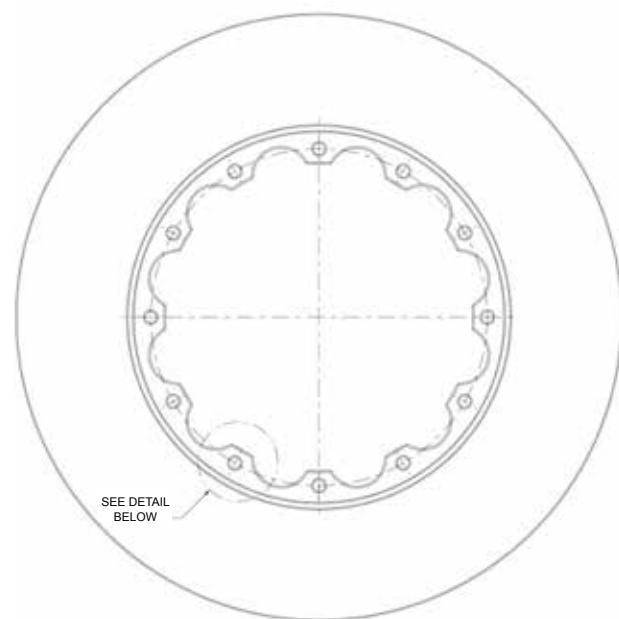
DBA Part No. **DBA 5046.1**

(Supplied with 1/4" UNF NAS crimp nuts)



Technical Specifications

A Diameter (mm)	328
B Thickness (mm)	28
C Annulus (mm) (Maximum useable pad width)	60
D Air Gap (mm)	12
E Offset (mm)	0
F Dia. & No. of Bolt holes (mm)	6.4 (x12)
Weight (kg)	7.47



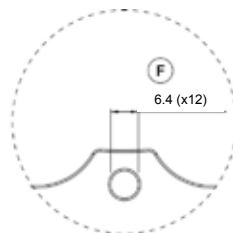
Vent Design



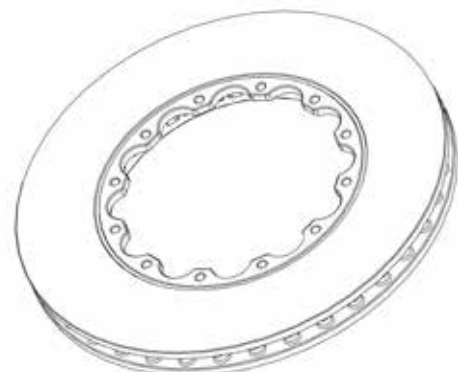
Kangaroo Paw



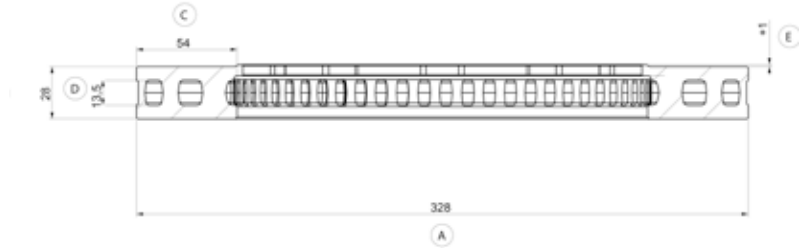
KANGAROO PAW



**'ROUND' HOLE
DETAIL**

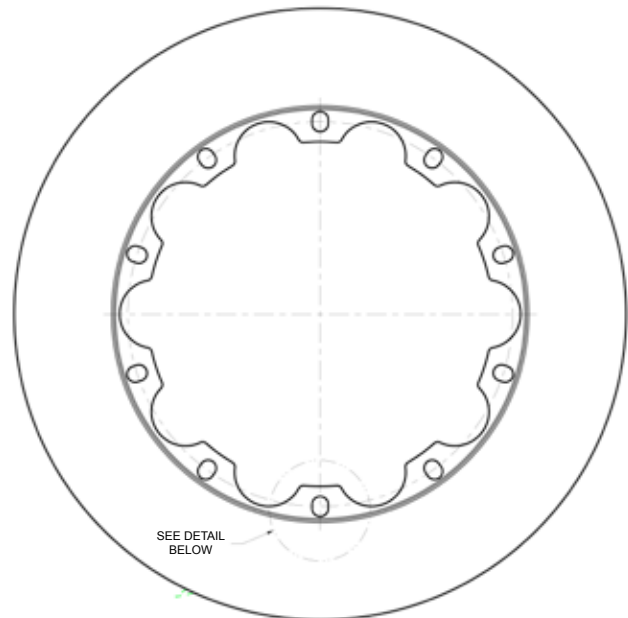


DBA Part Nos.
DBA 52974.1L
DBA 52974.1R



Technical Specifications

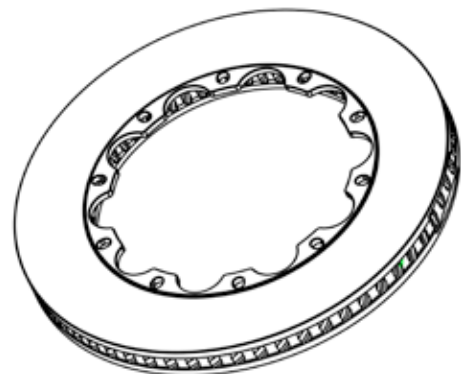
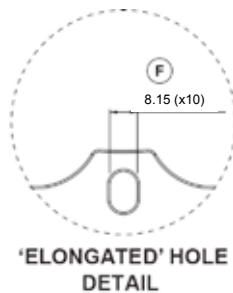
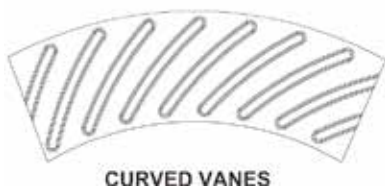
A Diameter (mm)	328
B Thickness (mm)	28
C Annulus (mm) (Maximum useable pad width)	54
D Air Gap (mm)	13.5
E Offset (mm)	+ 1
F Dia. & No. of Bolt holes (mm)	8.15 (x10)
Weight (kg)	7.06



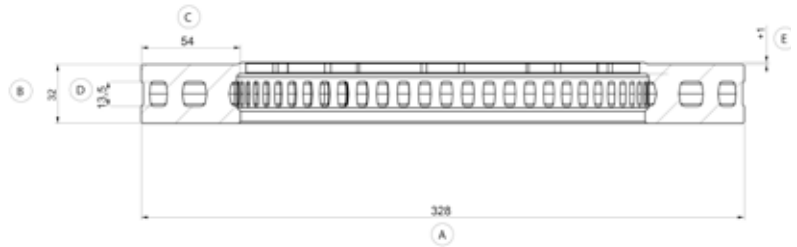
Vent Design



Curved Vanes

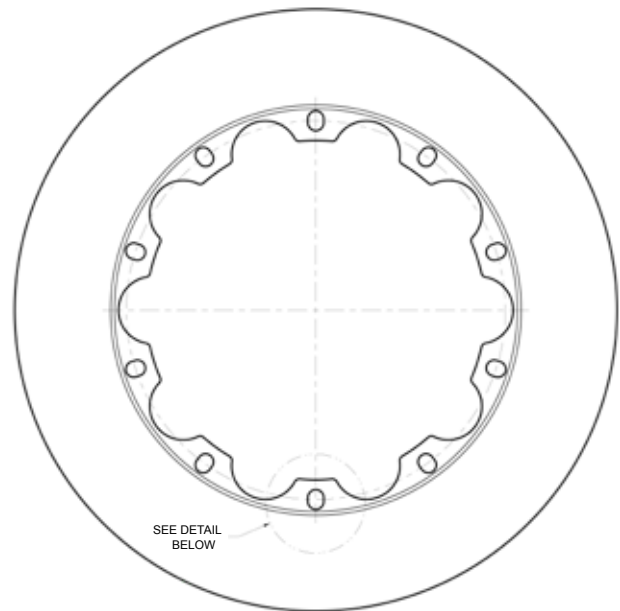


DBA Part No. **DBA 52946.1**



Technical Specifications

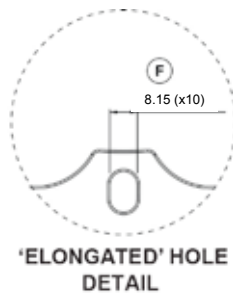
A Diameter (mm)	328
B Thickness (mm)	32
C Annulus (mm) (Maximum useable pad width)	54
D Air Gap (mm)	13.5
E Offset (mm)	+ 1
F Dia. & No. of Bolt holes (mm)	8.15 (x10)
Weight (kg)	8.42



Vent Design

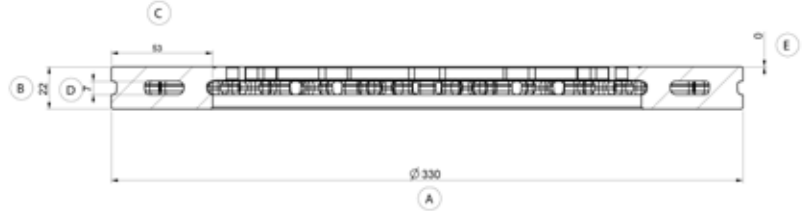


Curved Vanes



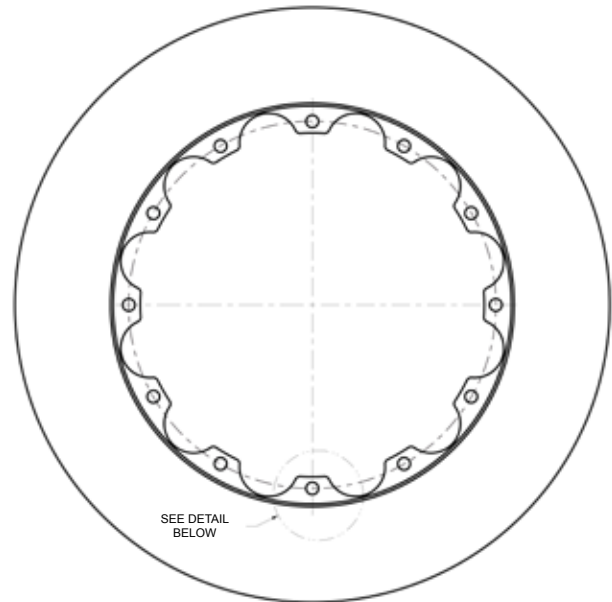
DBA Part No. **DBA 52835.1**

(Supplied with 1/4" UNF NAS crimp nuts)



Technical Specifications

A	Diameter (mm)	330
B	Thickness (mm)	22
C	Annulus (mm) (Maximum useable pad width)	53
D	Air Gap (mm)	7
E	Offset (mm)	0
F	Dia. & No. of Bolt holes (mm)	6.4 (x12)
	Weight (kg)	5.56



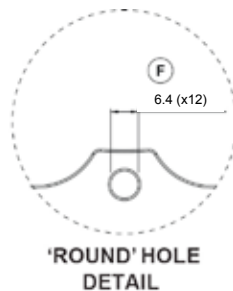
Vent Design



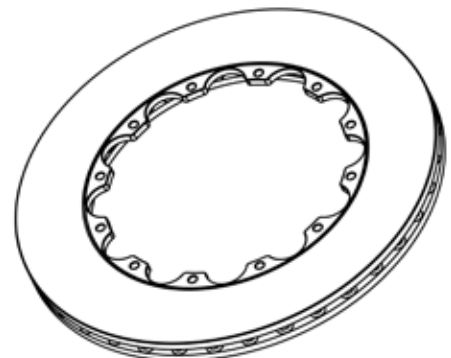
Kangaroo Paw



KANGAROO PAW



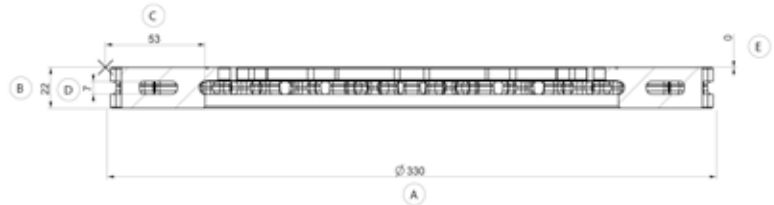
'ROUND' HOLE
DETAIL



DBA Part No. **DBA 52835.1W**

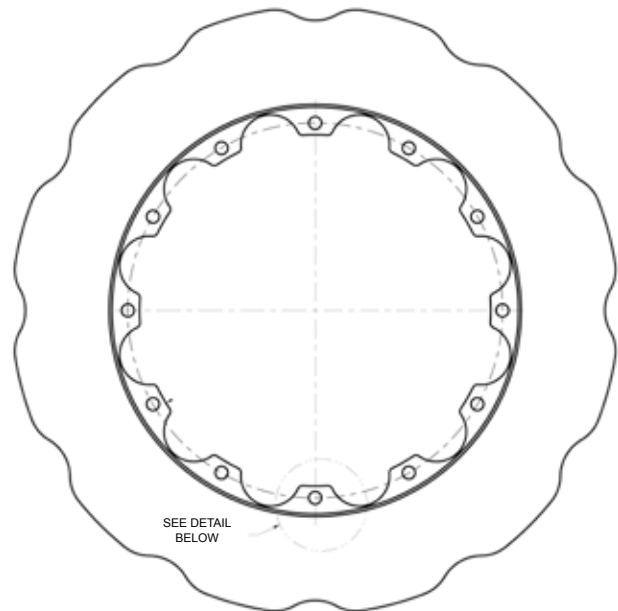
(Supplied with 1/4" UNF NAS crimp nuts)

Note: Wave Design disks are not to be used for any form of MotorSport



Technical Specifications

A Diameter (mm)	330
B Thickness (mm)	22
C Annulus (mm) (Maximum useable pad width)	53
D Air Gap (mm)	7
E Offset (mm)	0
F Dia. & No. of Bolt holes (mm)	6.4 (x12)
Weight (kg)	5.56



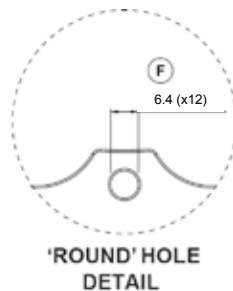
Vent Design



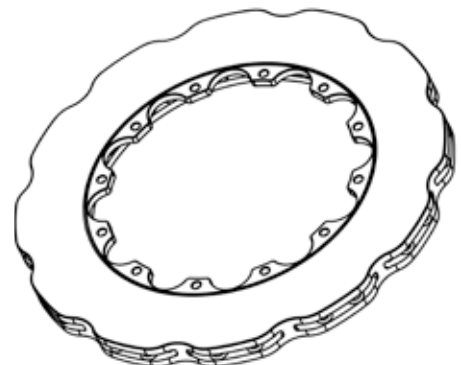
Kangaroo Paw



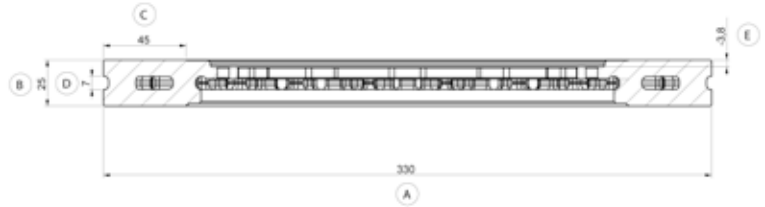
KANGAROO PAW



**'ROUND' HOLE
DETAIL**

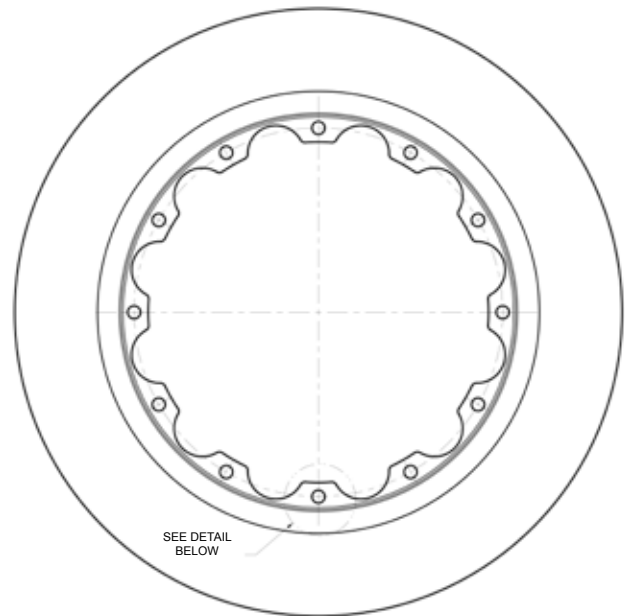


DBA Part No. **DBA 52165.1**



Technical Specifications

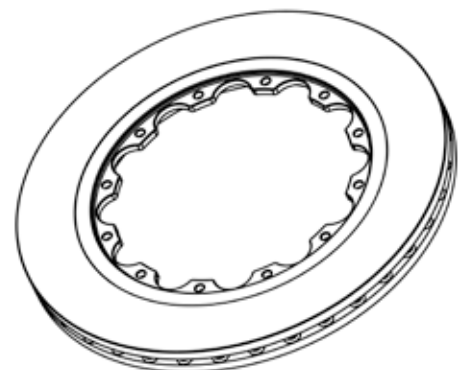
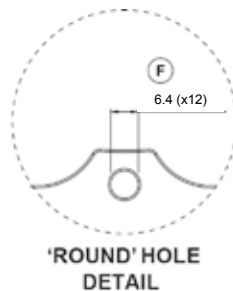
A	Diameter (mm)	330
B	Thickness (mm)	25
C	Annulus (mm) (Maximum useable pad width)	45
D	Air Gap (mm)	7
E	Offset (mm)	-3.8
F	Dia. & No. of Bolt holes (mm)	6.4 (x12)
	Weight (kg)	6.5



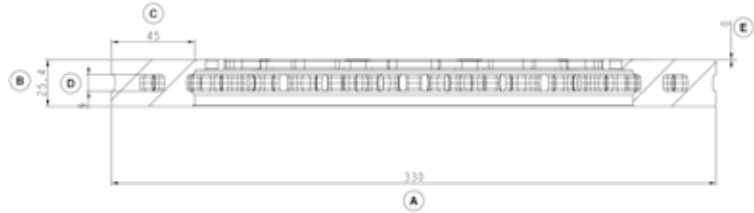
Vent Design



Kangaroo Paw

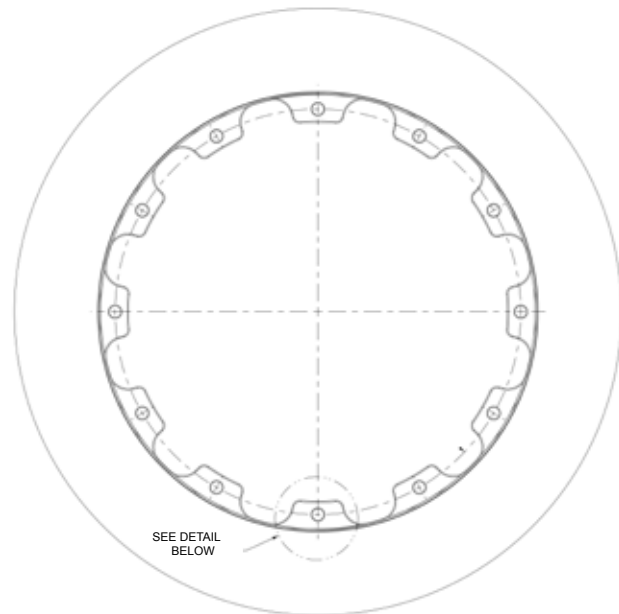


DBA Part No. **DBA 57330.1**



Technical Specifications

A Diameter (mm)	330
B Thickness (mm)	25.4
C Annulus (mm) (Maximum useable pad width)	45
D Air Gap (mm)	9
E Offset (mm)	0
F Dia. & No. of Bolt holes (mm)	6.4 (x12)
Weight (kg)	5.6



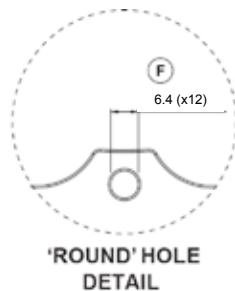
Vent Design



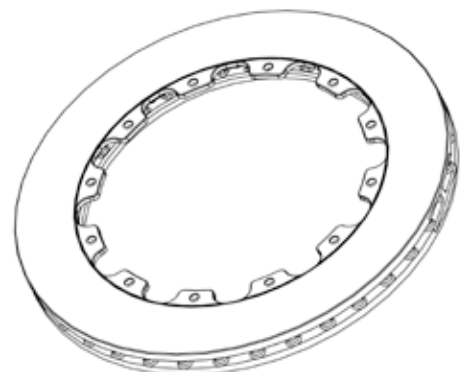
Kangaroo Paw



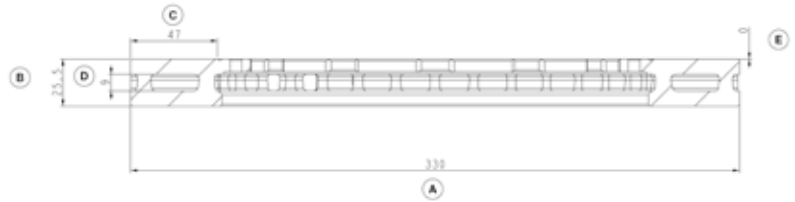
KANGAROO PAW



**'ROUND' HOLE
DETAIL**

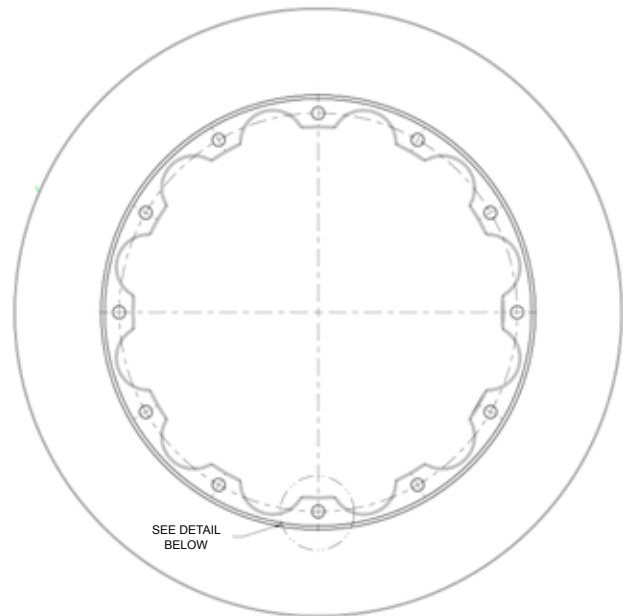


DBA Part No. **DBA 52349.1**



Technical Specifications

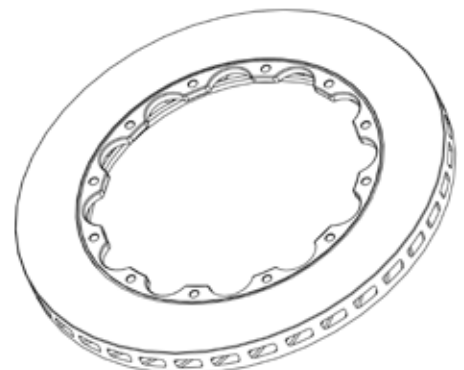
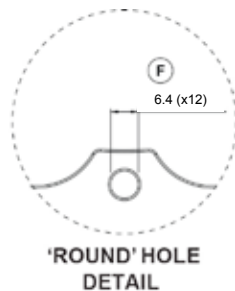
A Diameter (mm)	330
B Thickness (mm)	25.5
C Annulus (mm) (Maximum useable pad width)	47
D Air Gap (mm)	9
E Offset (mm)	0
F Dia. & No. of Bolt holes (mm)	6.4 (x12)
Weight (kg)	6.18



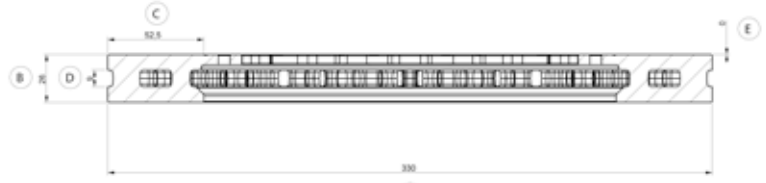
Vent Design



Kangaroo Paw

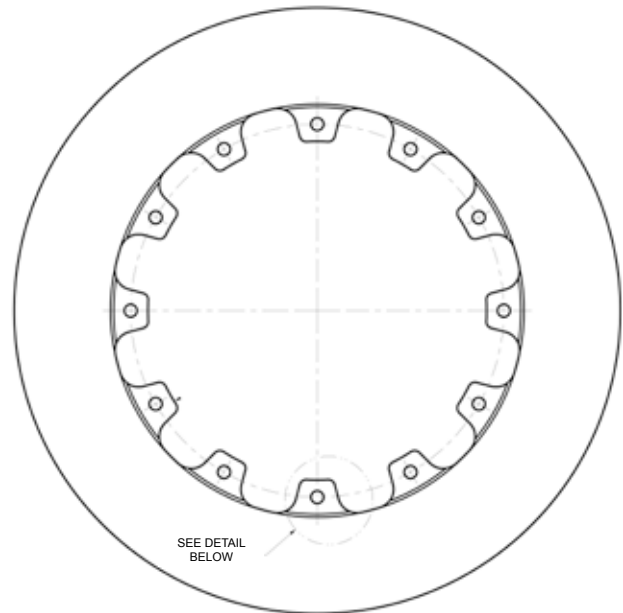


DBA Part No. **DBA 52619.1**



Technical Specifications

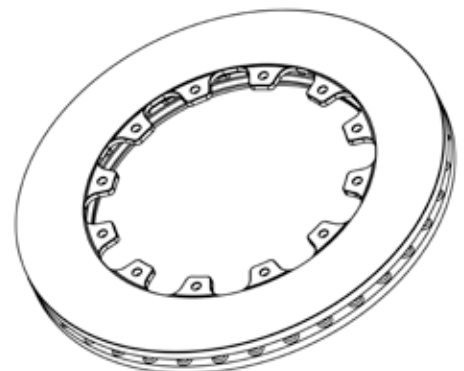
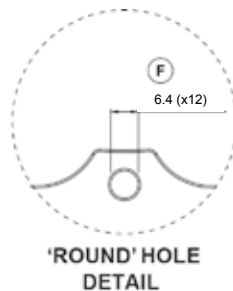
A Diameter (mm)	330
B Thickness (mm)	26
C Annulus (mm) (Maximum useable pad width)	52.5
D Air Gap (mm)	9
E Offset (mm)	0
F Dia. & No. of Bolt holes (mm)	6.4 x 12
Weight (kg)	6.37



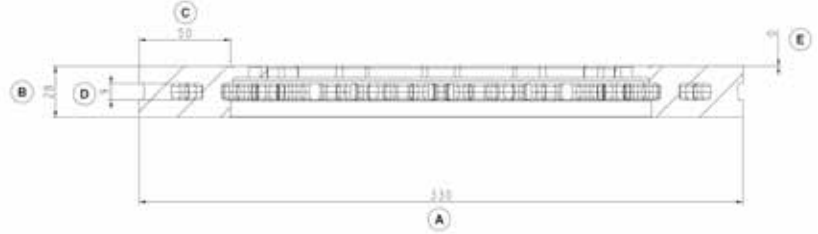
Vent Design



Kangaroo Paw

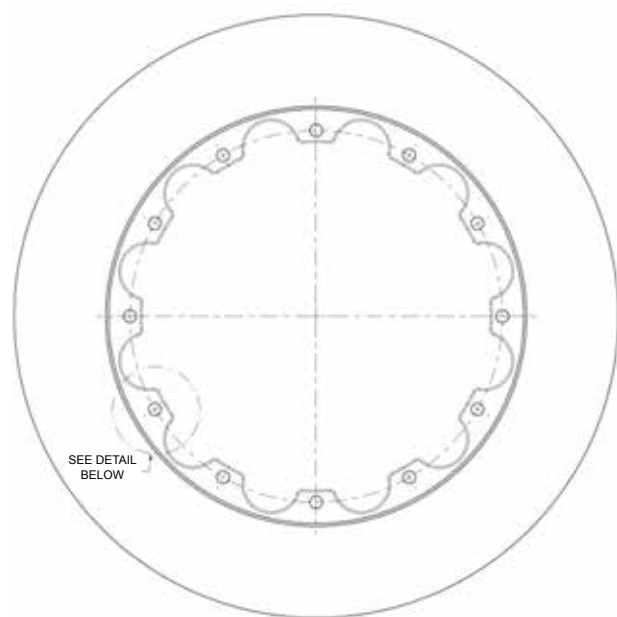


DBA Part No. **DBA 52935.1**



Technical Specifications

A Diameter (mm)	330
B Thickness (mm)	28
C Annulus (mm) (Maximum useable pad width)	50
D Air Gap (mm)	9
E Offset (mm)	0
F Dia. & No. of Bolt holes (mm)	6.4 (x12)
Weight (kg)	7.03



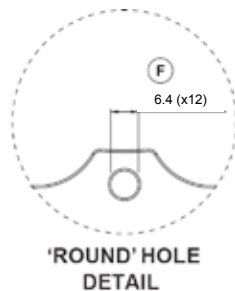
Vent Design



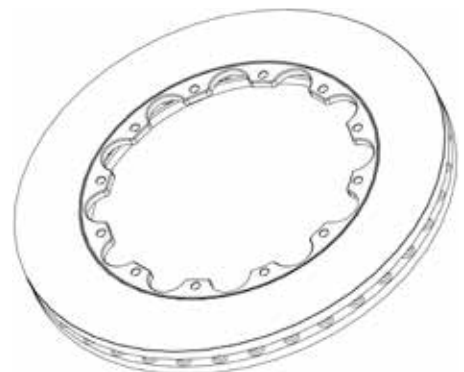
Kangaroo Paw



KANGAROO PAW

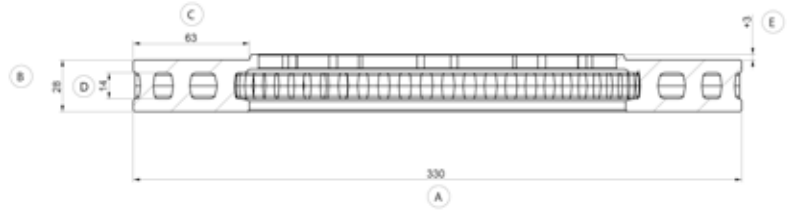


**'ROUND' HOLE
DETAIL**



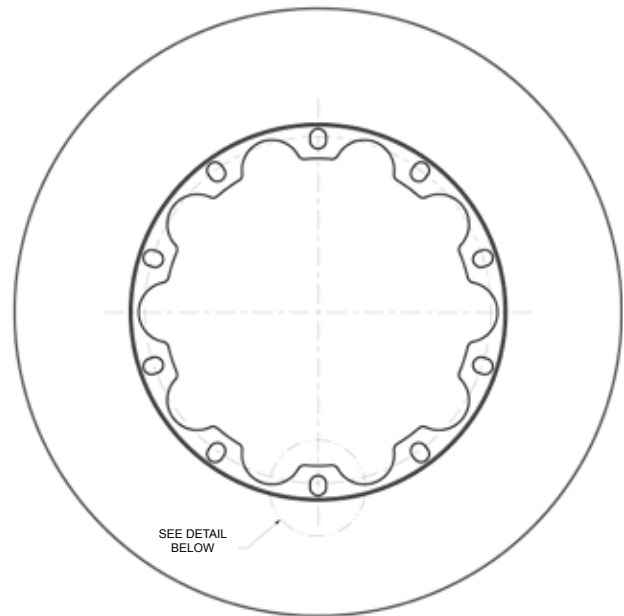
DBA Part No. **DBA 52975.1**

(Supplied with 1/4" UNF NAS crimp nuts)



Technical Specifications

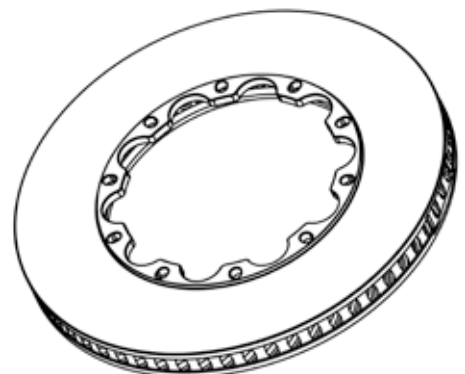
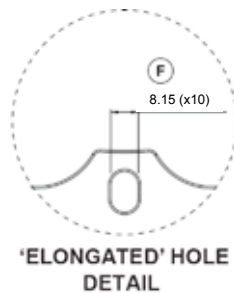
A	Diameter (mm)	330
B	Thickness (mm)	28
C	Annulus (mm) (Maximum useable pad width)	63
D	Air Gap (mm)	14
E	Offset (mm)	+ 3
F	Dia. & No. of Bolt holes (mm)	8.15 (x10)
	Weight (kg)	9.24



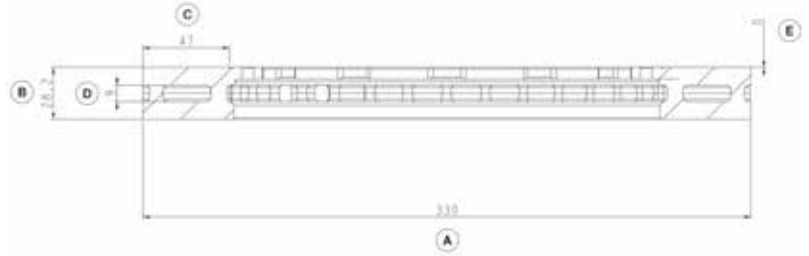
Vent Design



Curved Vanes

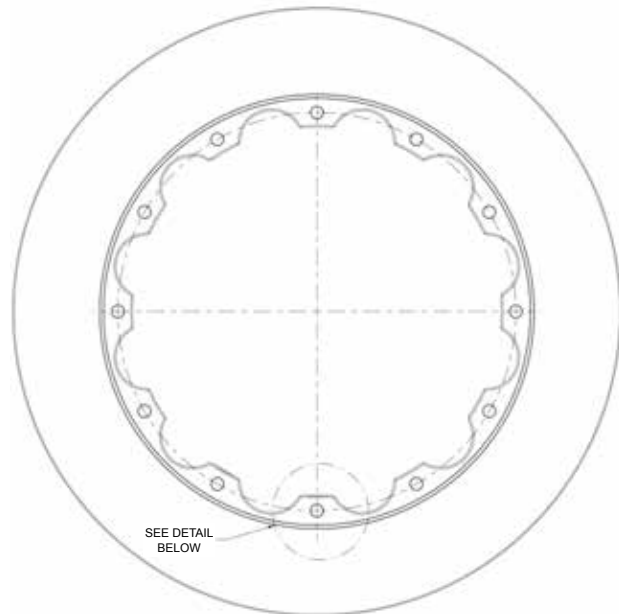


DBA Part No. **DBA 57830.1**



Technical Specifications

A Diameter (mm)	330
B Thickness (mm)	28.2
C Annulus (mm) (Maximum useable pad width)	47
D Air Gap (mm)	9
E Offset (mm)	0
F Dia. & No. of Bolt holes (mm)	6.4 (x12)
Weight (kg)	6.99



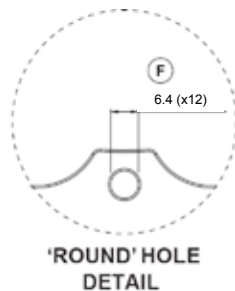
Vent Design



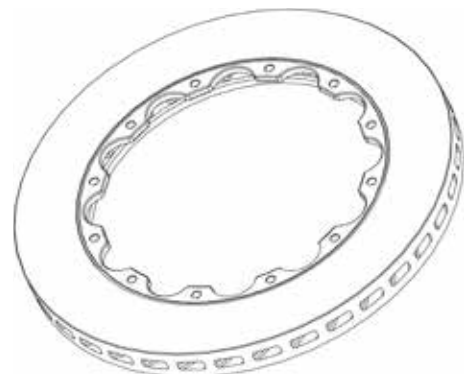
Kangaroo Paw



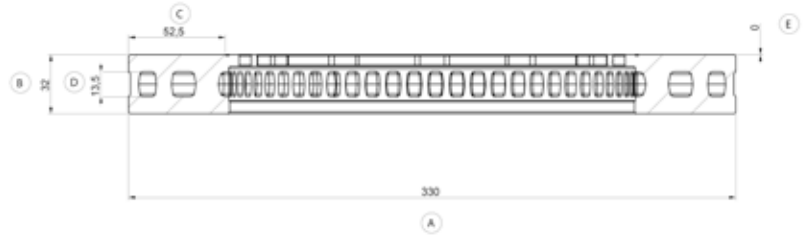
KANGAROO PAW




**'ROUND' HOLE
DETAIL**

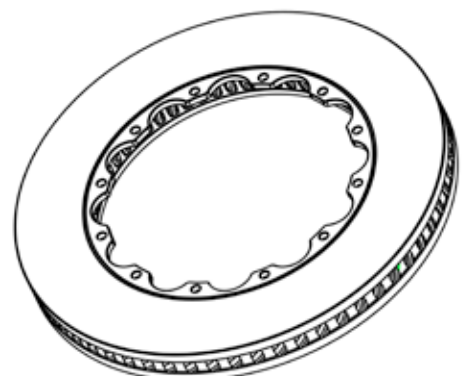
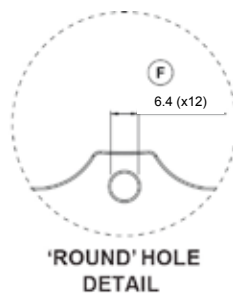
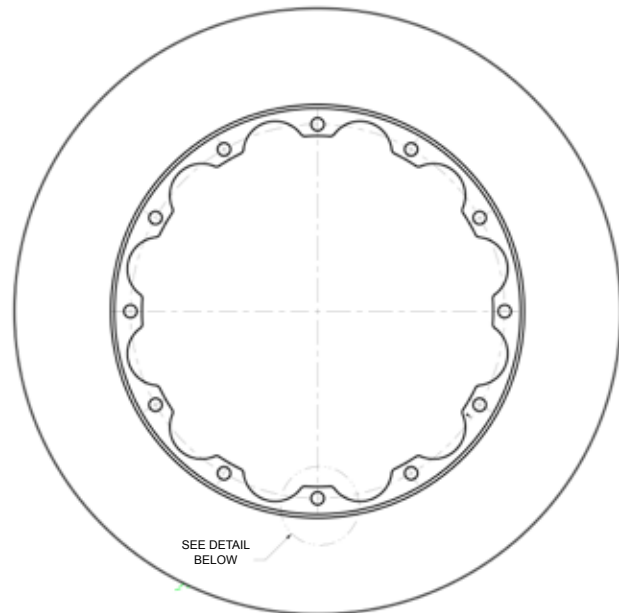


DBA Part Nos.
DBA 57904.1L
DBA 57904.1R



Technical Specifications

A Diameter (mm)	330
B Thickness (mm)	32
C Annulus (mm) (Maximum useable pad width)	52.5
D Air Gap (mm)	9.5
E Offset (mm)	0
F Dia. & No. of Bolt holes (mm)	6.4 (x12)
Weight (kg)	8.68
Vent Design	 Curved Vanes

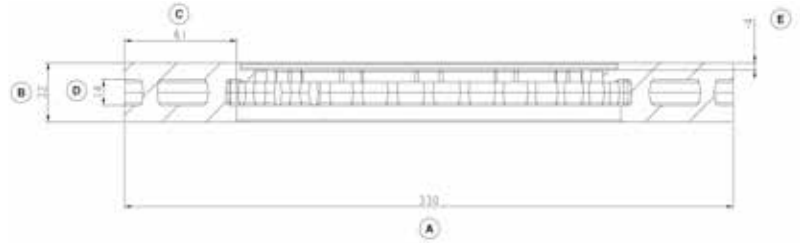


DBA Part Nos.

DBA 5048.1L

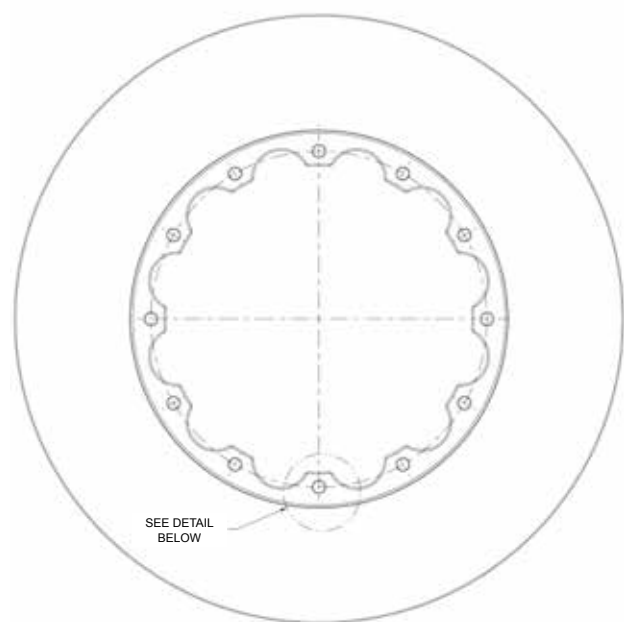
DBA 5048.1R

(Supplied with 1/4" UNF NAS crimp nuts)



Technical Specifications

A Diameter (mm)	330
B Thickness (mm)	32
C Annulus (mm) (Maximum useable pad width)	61
D Air Gap (mm)	14
E Offset (mm)	- 4
F Dia. & No. of Bolt holes (mm)	6.4 (x12)



Weight (kg) **8.46**

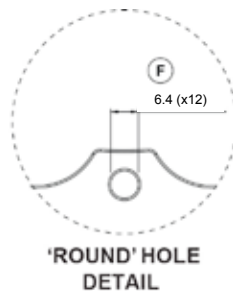
Vent Design



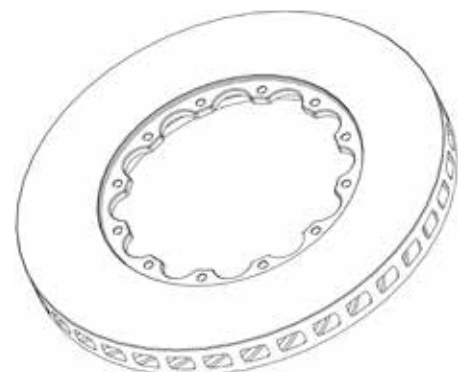
Curved Vanes



CURVED VANES

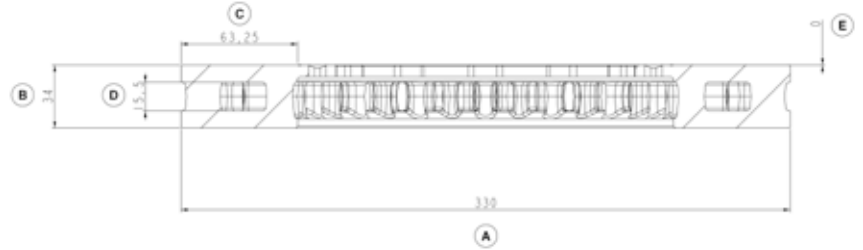


'ROUND' HOLE DETAIL



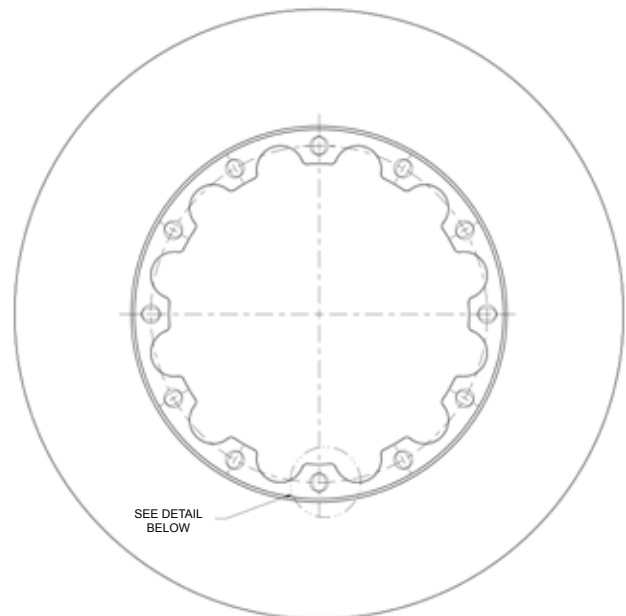
DBA Part No. **DBA 52386.1**

(Supplied with 1/4" UNF NAS crimp nuts)



Technical Specifications

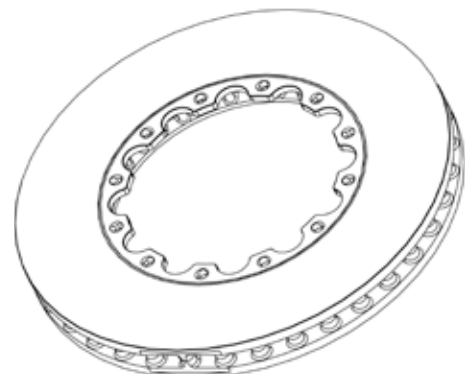
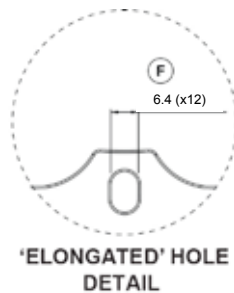
A Diameter (mm)	330
B Thickness (mm)	34
C Annulus (mm) (Maximum useable pad width)	63.25
D Air Gap (mm)	15.5
E Offset (mm)	0
F Dia. & No. of Bolt holes (mm)	6.4 (x12)
Weight (kg)	8.93



Vent Design



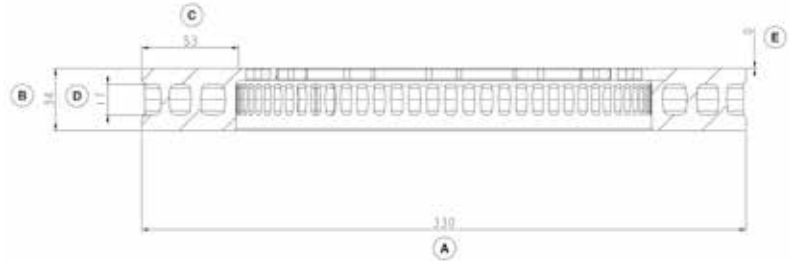
Kangaroo Paw



DBA Part Nos.

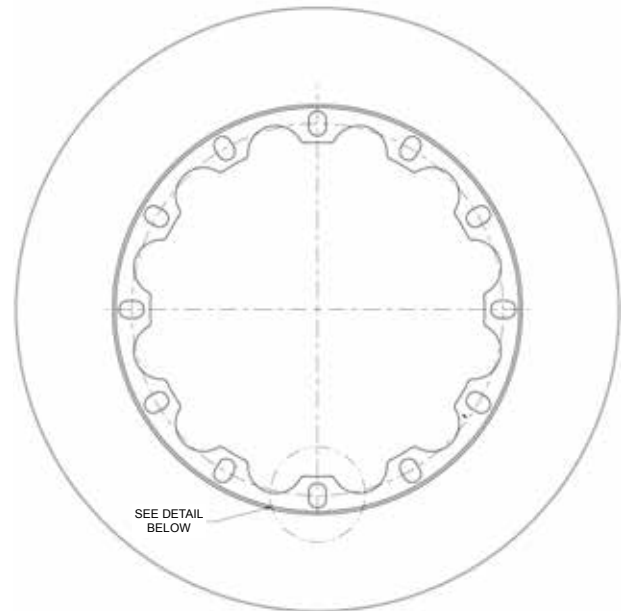
DBA 5100.1L

DBA 5100.1R



Technical Specifications

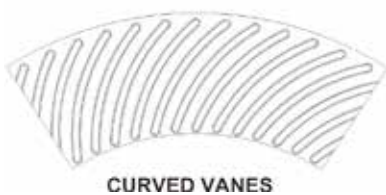
A Diameter (mm)	330
B Thickness (mm)	34
C Annulus (mm) (Maximum useable pad width)	53
D Air Gap (mm)	17
E Offset (mm)	0
F Dia. & No. of Bolt holes (mm)	9.05 (x12)
Weight (kg)	7.8



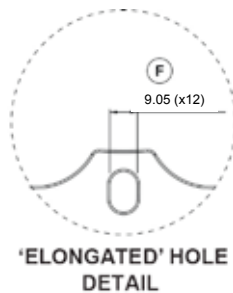
Vent Design



Curved Vanes



CURVED VANES

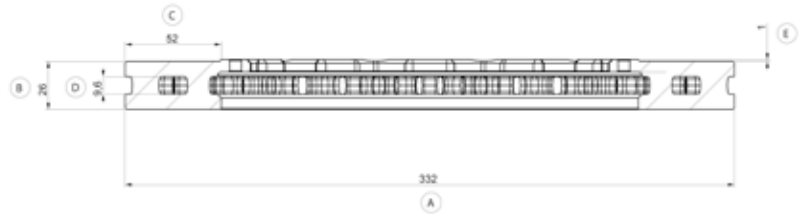


'ELONGATED' HOLE DETAIL



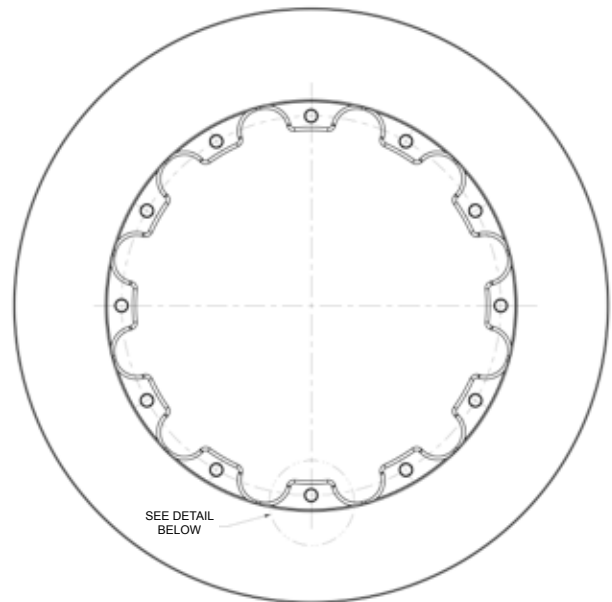
DBA Part No. **DBA 52903.1**

(Supplied with 1/4" UNF NAS crimp nuts)



Technical Specifications

A Diameter (mm)	332
B Thickness (mm)	26
C Annulus (mm) (Maximum useable pad width)	52
D Air Gap (mm)	9.6
E Offset (mm)	+ 1
F Dia. & No. of Bolt holes (mm)	6.4 (x12)
Weight (kg)	6.2



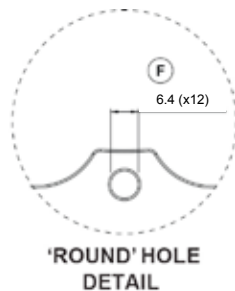
Vent Design



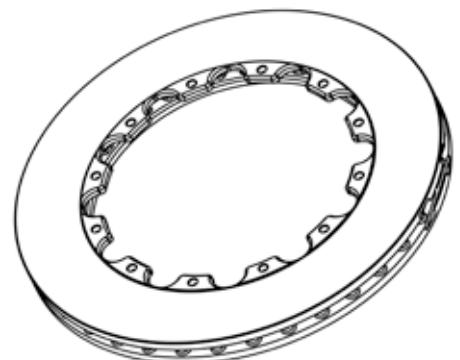
Kangaroo Paw



KANGAROO PAW



'ROUND' HOLE DETAIL

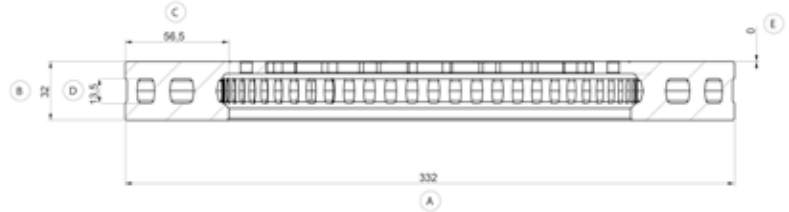


DBA Part Nos.


DBA 52908.1L

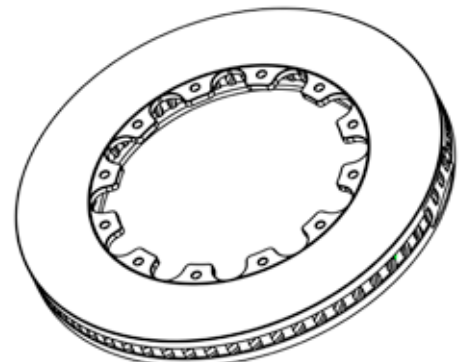
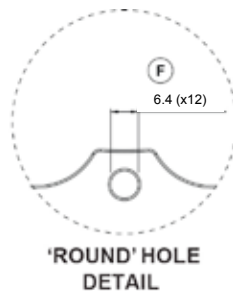
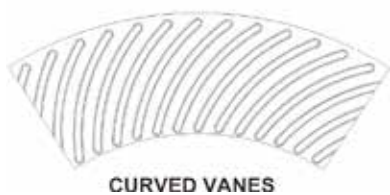
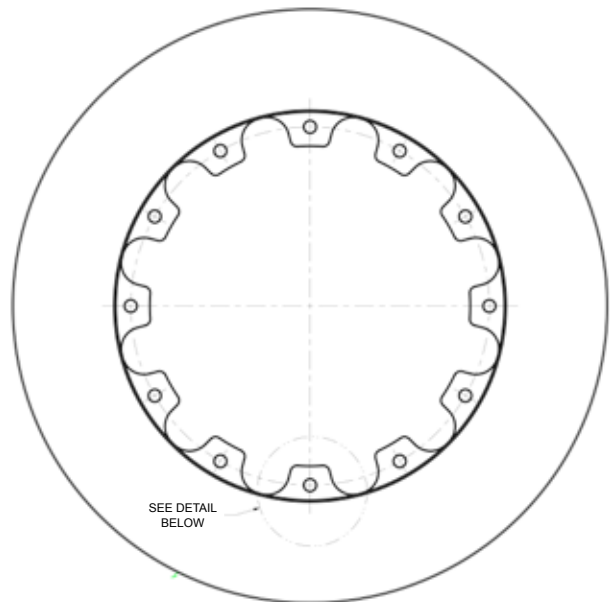
DBA 52908.1R

(Supplied with 1/4" UNF NAS crimp nuts)



Technical Specifications

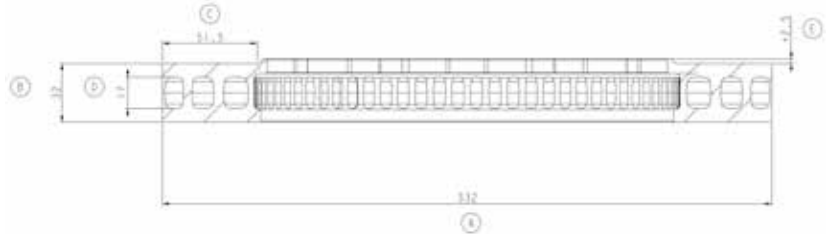
A	Diameter (mm)	332
B	Thickness (mm)	32
C	Annulus (mm) (Maximum useable pad width)	56.5
D	Air Gap (mm)	13.5
E	Offset (mm)	0
F	Dia. & No. of Bolt holes (mm)	6.4 (x12)
	Weight (kg)	8.85
	Vent Design	 Curved Vanes



DBA Part Nos.

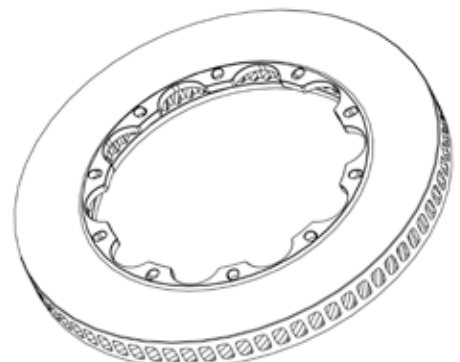
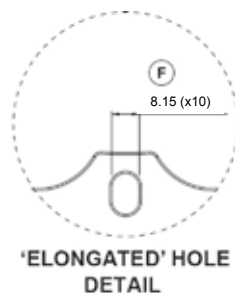
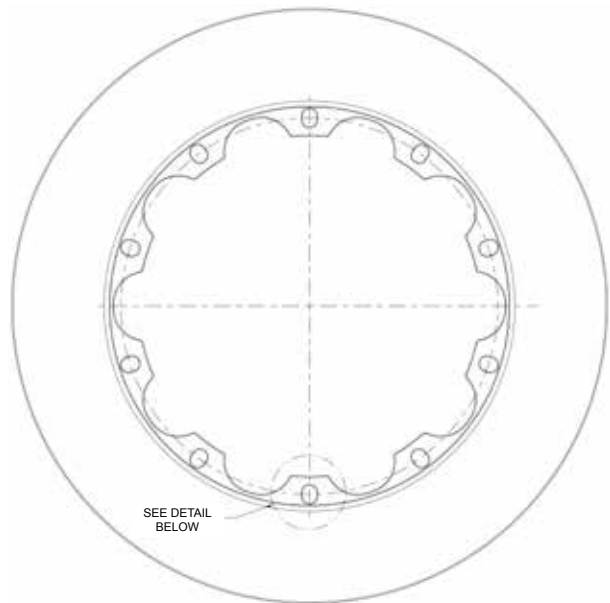
DBA 57888.1L

DBA 57888.1R



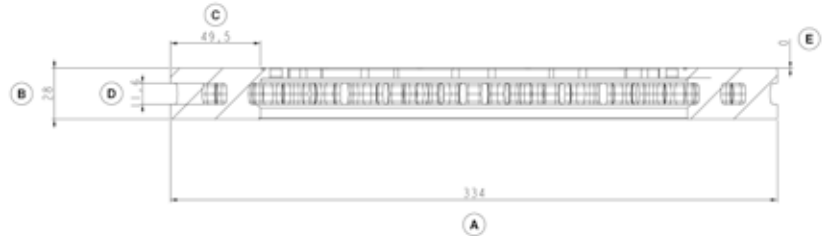
Technical Specifications

A	Diameter (mm)	332
B	Thickness (mm)	32
C	Annulus (mm) (Maximum useable pad width)	51.5
D	Air Gap (mm)	17
E	Offset (mm)	+ 2.5
F	Dia. & No. of Bolt holes (mm)	8.15 (x10)
	Weight (kg)	7.25
	Vent Design	Curved Vanes



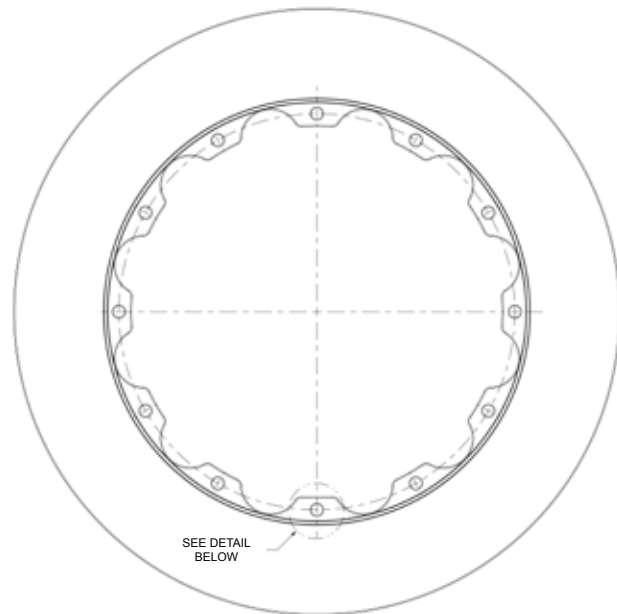
DBA Part No. **DBA 52901.1**

(Supplied with 1/4" UNF NAS crimp nuts)



Technical Specifications

A Diameter (mm)	334
B Thickness (mm)	28
C Annulus (mm) (Maximum useable pad width)	49.5
D Air Gap (mm)	11.6
E Offset (mm)	0
F Dia. & No. of Bolt holes (mm)	6.4 (x12)
Weight (kg)	5.98



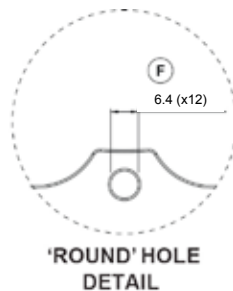
Vent Design



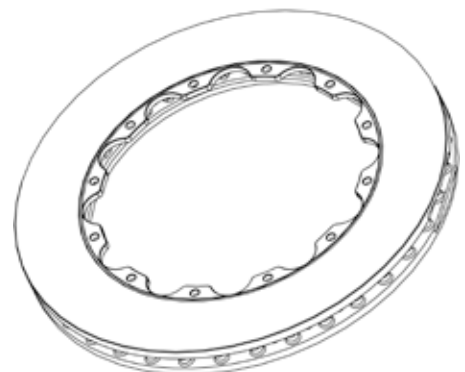
Kangaroo Paw



KANGAROO PAW



'ROUND' HOLE DETAIL



DBA Part Nos.

DBA 52828.1L

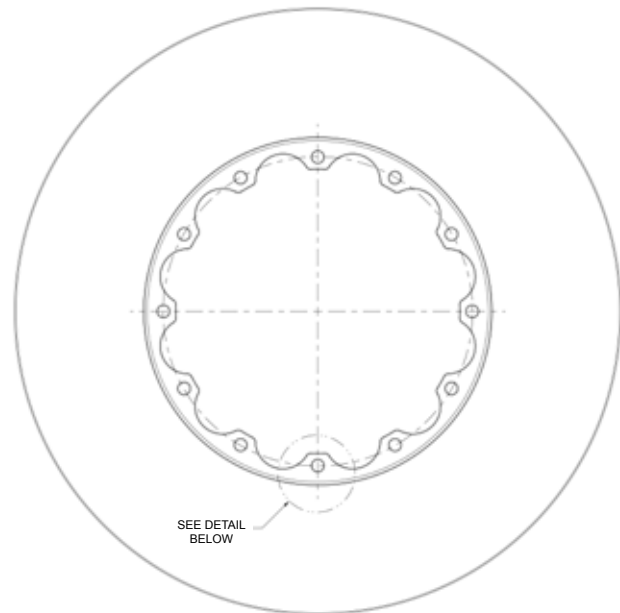
DBA 52828.1R

(Supplied with 1/4" UNF NAS crimp nuts)



Technical Specifications

A	Diameter (mm)	334
B	Thickness (mm)	32
C	Annulus (mm) (Maximum useable pad width)	71.5
D	Air Gap (mm)	12
E	Offset (mm)	- 6.4
F	Dia. & No. of Bolt holes (mm)	6.4 (x12)
	Weight (kg)	10.13

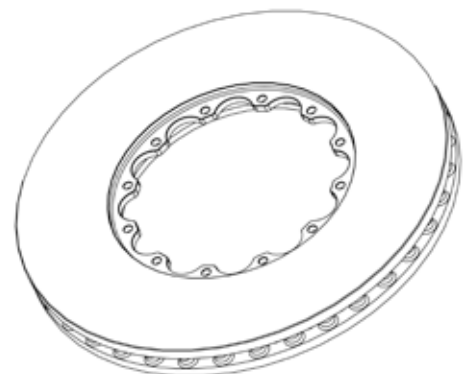
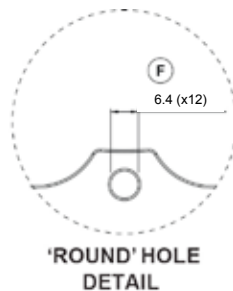


SEE DETAIL BELOW

Vent Design

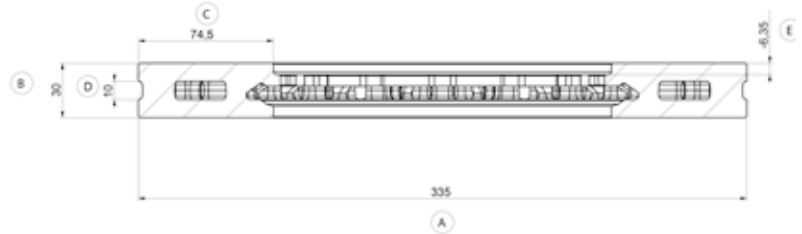


Curved Vanes



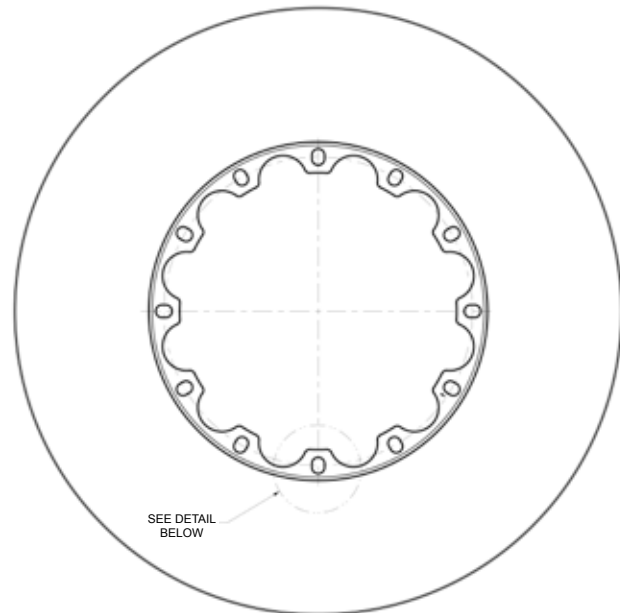
DBA Part No. **DBA 52288.1**

(Supplied with 1/4" UNF NAS crimp nuts)



Technical Specifications

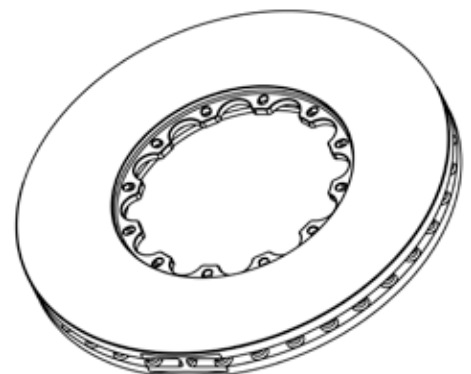
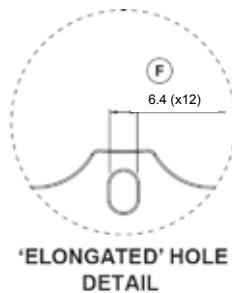
A	Diameter (mm)	335
B	Thickness (mm)	30
C	Annulus (mm) (Maximum useable pad width)	74.5
D	Air Gap (mm)	10
E	Offset (mm)	- 6.35
F	Dia. & No. of Bolt holes (mm)	6.4 (x12)
	Weight (kg)	10.01



Vent Design

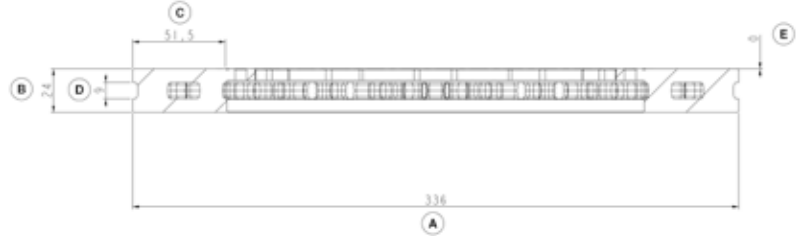


Kangaroo Paw



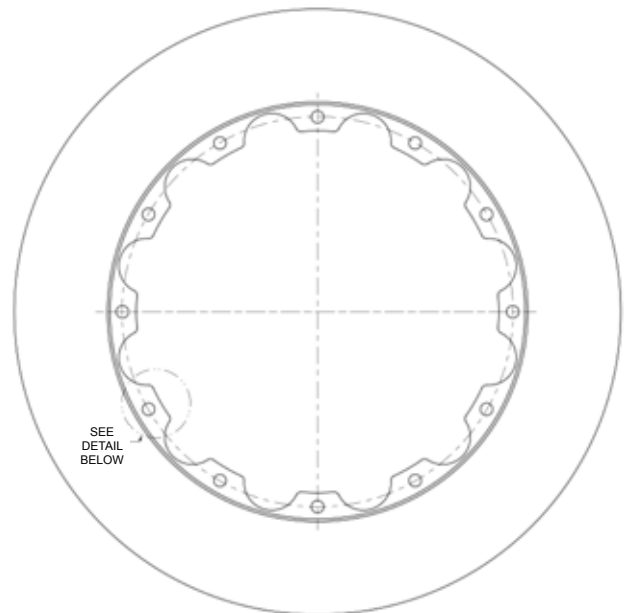
DBA Part No. **DBA 52199.1**

(Supplied with 1/4" UNF NAS crimp nuts)



Technical Specifications

A	Diameter (mm)	336
B	Thickness (mm)	24
C	Annulus (mm) (Maximum useable pad width)	51.5
D	Air Gap (mm)	9
E	Offset (mm)	0
F	Dia. & No. of Bolt holes (mm)	6.4 (x12)
	Weight (kg)	6.03



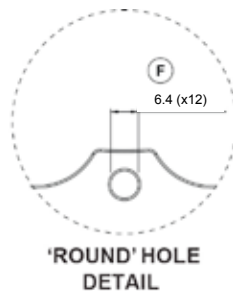
Vent Design



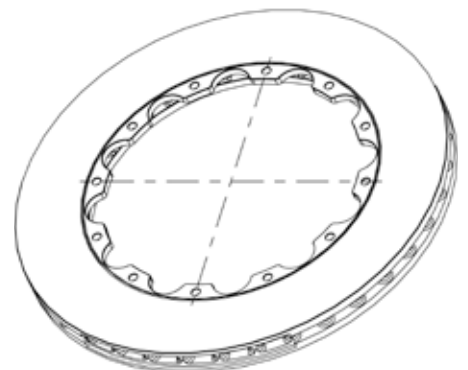
Kangaroo Paw



KANGAROO PAW



**'ROUND' HOLE
DETAIL**



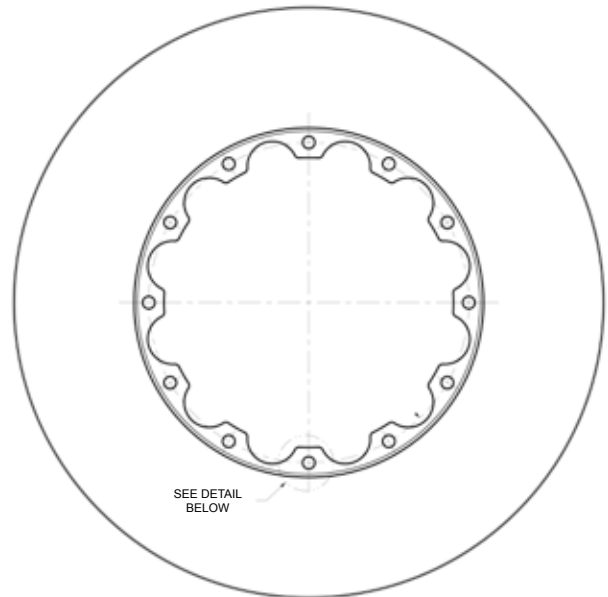
DBA Part No. **DBA 52134.1**

(Supplied with 1/4" UNF NAS crimp nuts)



Technical Specifications

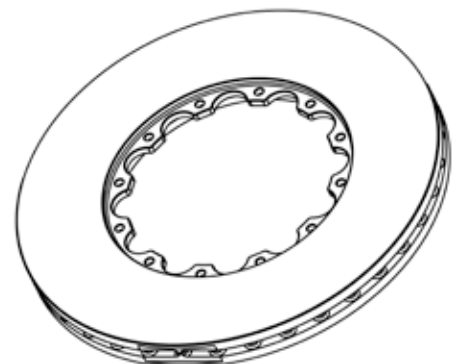
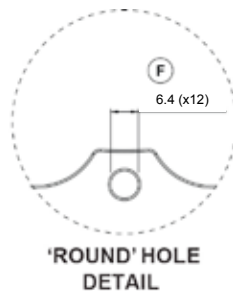
A	Diameter (mm)	336
B	Thickness (mm)	28
C	Annulus (mm) (Maximum useable pad width)	68
D	Air Gap (mm)	8
E	Offset (mm)	- 6.35
F	Dia. & No. of Bolt holes (mm)	6.4 (x12)
	Weight (kg)	9.3



Vent Design

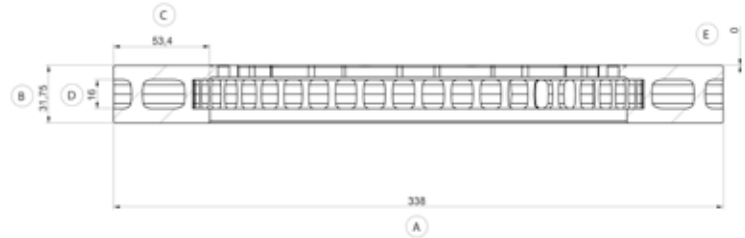


Kangaroo Paw




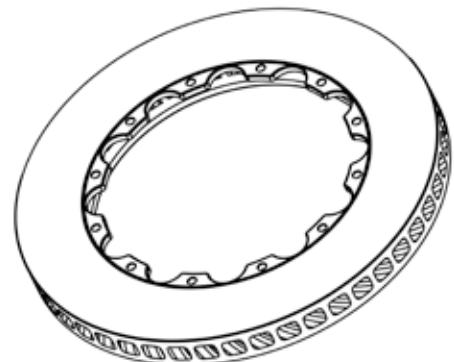
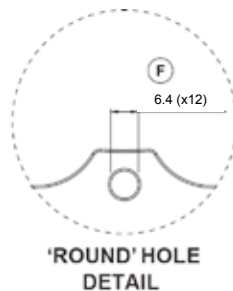
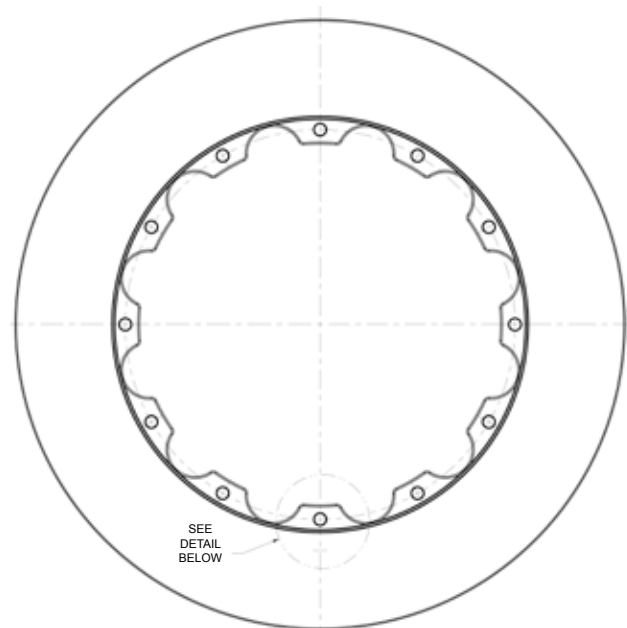
DBA Part No. **DBA 52112.1**

(Supplied with 1/4" UNF NAS crimp nuts)



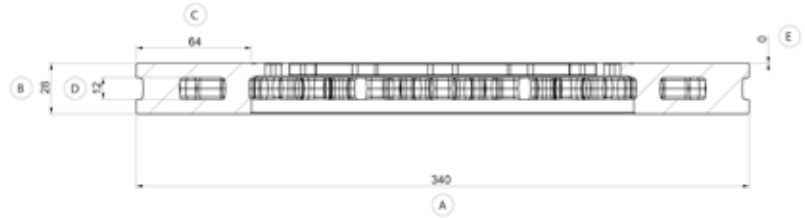
Technical Specifications

A	Diameter (mm)	338
B	Thickness (mm)	32
C	Annulus (mm) (Maximum useable pad width)	53.4
D	Air Gap (mm)	16
E	Offset (mm)	0
F	Dia. & No. of Bolt holes (mm)	6.4 (x12)
	Weight (kg)	6.96
	Vent Design	 Curved Vanes



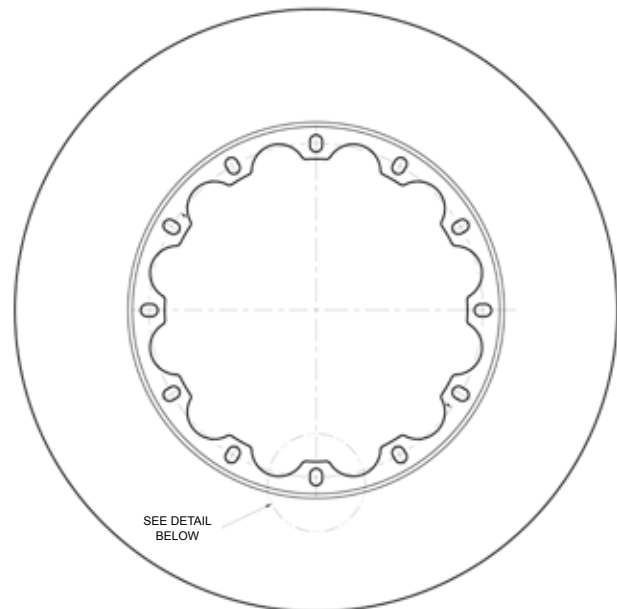
DBA Part No. **DBA 52366.1**

(Supplied with 1/4" UNF NAS crimp nuts)



Technical Specifications

A	Diameter (mm)	340
B	Thickness (mm)	28
C	Annulus (mm) (Maximum useable pad width)	64
D	Air Gap (mm)	12
E	Offset (mm)	0
F	Dia. & No. of Bolt holes (mm)	6.4 (x12)
	Weight (kg)	8.9



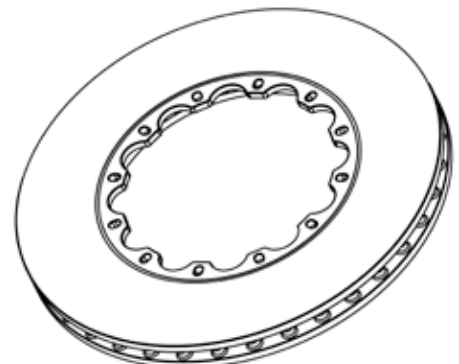
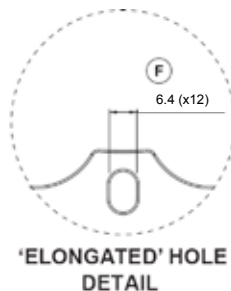
Vent Design



Kangaroo Paw



KANGAROO PAW



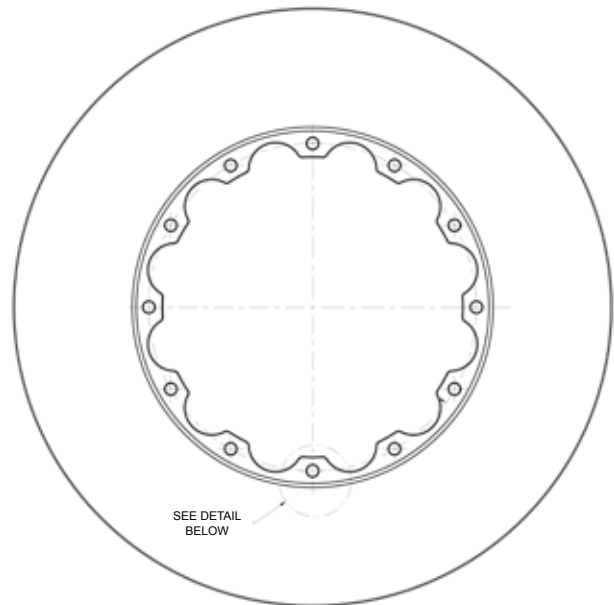
DBA Part No. **DBA 52830.1**

(Supplied with 1/4" UNF NAS crimp nuts)



Technical Specifications

A	Diameter (mm)	340
B	Thickness (mm)	30
C	Annulus (mm) (Maximum useable pad width)	68
D	Air Gap (mm)	12
E	Offset (mm)	0
F	Dia. & No. of Bolt holes (mm)	6.4 (x12)
	Weight (kg)	8.93



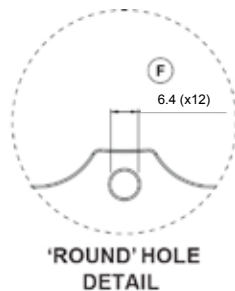
Vent Design



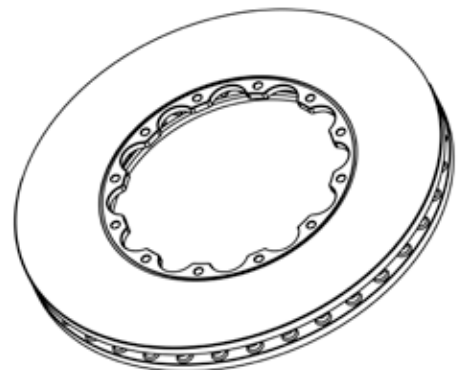
Kangaroo Paw



KANGAROO PAW



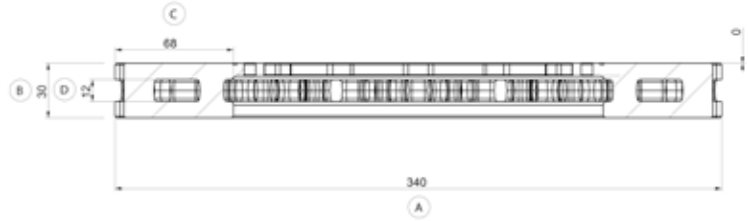
**'ROUND' HOLE
DETAIL**



DBA Part No. **DBA 52830.1W**

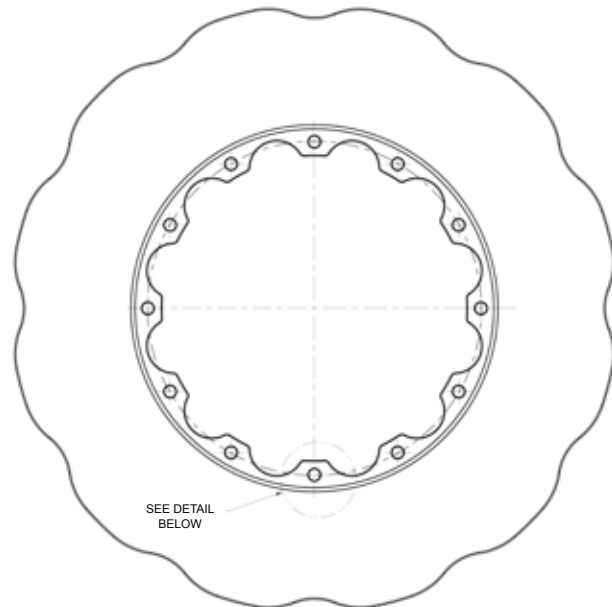
(Supplied with 1/4" UNF NAS crimp nuts)

Note: Wave Design disks are not to be used for any form of MotorSport



Technical Specifications

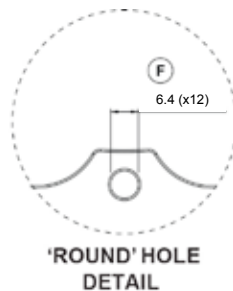
A Diameter (mm)	340
B Thickness (mm)	30
C Annulus (mm) (Maximum useable pad width)	68
D Air Gap (mm)	12
E Offset (mm)	0
F Dia. & No. of Bolt holes (mm)	6.4 (x12)
Weight (kg)	8.56



Vent Design

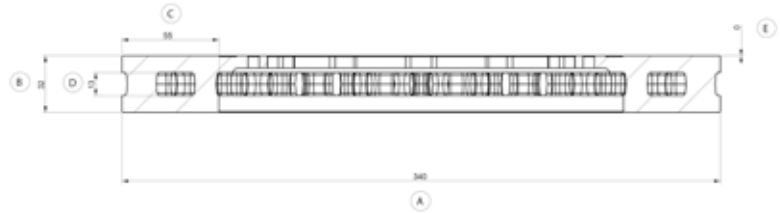


Kangaroo Paw



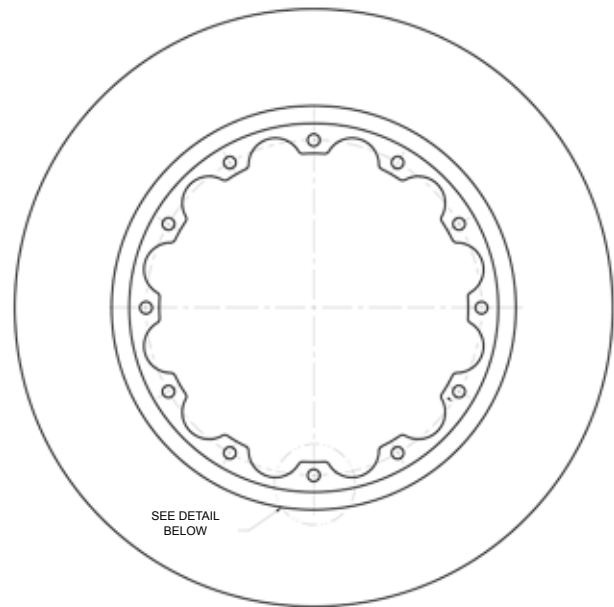
DBA Part No. **DBA 52990.1**

(Supplied with 1/4" UNF NAS crimp nuts)



Technical Specifications

A Diameter (mm)	340
B Thickness (mm)	32
C Annulus (mm) (Maximum useable pad width)	55
D Air Gap (mm)	13
E Offset (mm)	0
F Dia. & No. of Bolt holes (mm)	6.4 (x12)
Weight (kg)	8.63



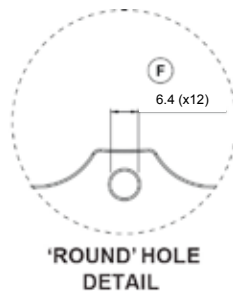
Vent Design



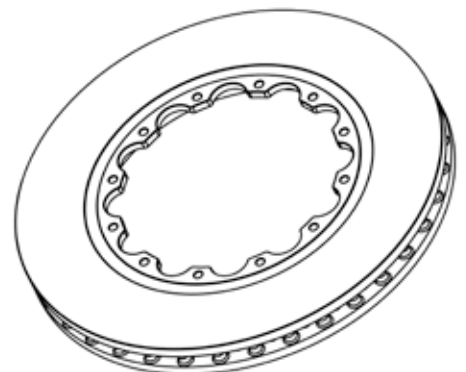
Kangaroo Paw



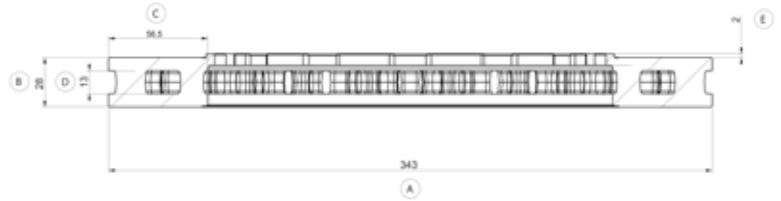
KANGAROO PAW



**'ROUND' HOLE
DETAIL**

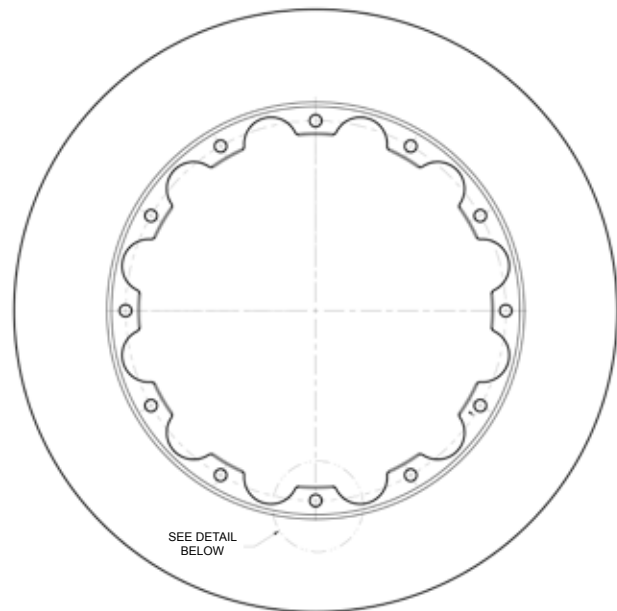


DBA Part No. **DBA 52918.1**



Technical Specifications

A	Diameter (mm)	343
B	Thickness (mm)	28
C	Annulus (mm) (Maximum useable pad width)	56.5
D	Air Gap (mm)	13
E	Offset (mm)	+ 2
F	Dia. & No. of Bolt holes (mm)	6.4 (x12)
	Weight (kg)	6.9



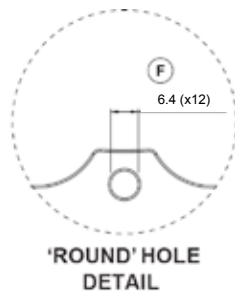
Vent Design



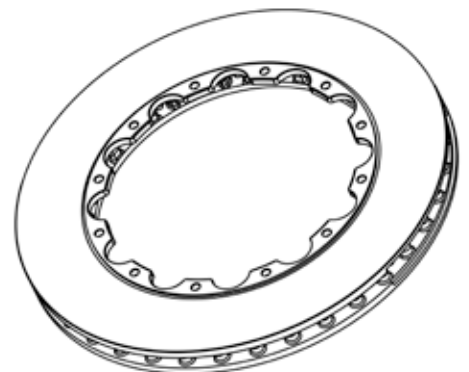
Kangaroo Paw



KANGAROO PAW

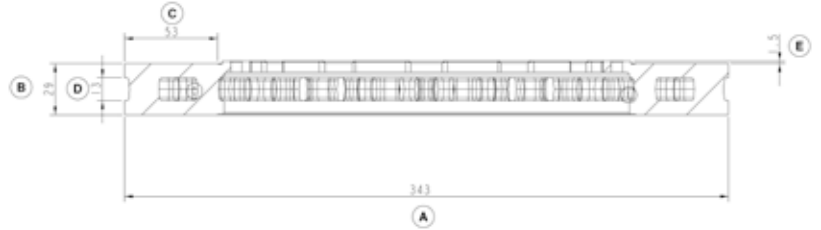


**'ROUND' HOLE
DETAIL**



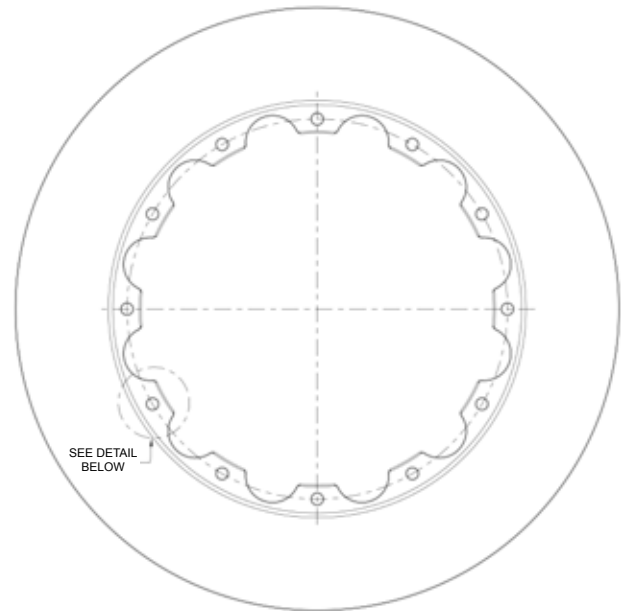
DBA Part No. **DBA 52196.1**

(Supplied with 1/4" UNF NAS crimp nuts)



Technical Specifications

A Diameter (mm)	343
B Thickness (mm)	29
C Annulus (mm) (Maximum useable pad width)	53
D Air Gap (mm)	13
E Offset (mm)	+ 1.5
F Dia. & No. of Bolt holes (mm)	6.4 (x12)
Weight (kg)	7.28



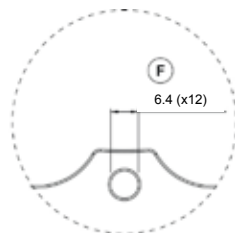
Vent Design



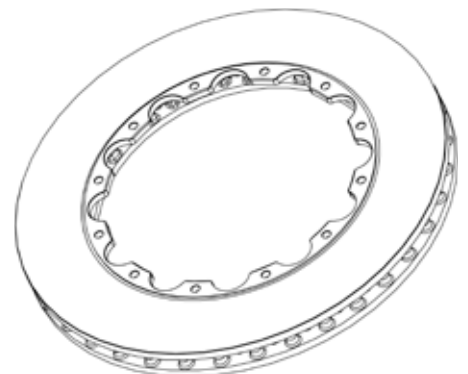
Kangaroo Paw



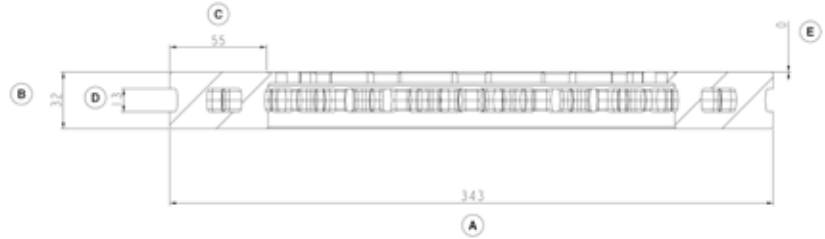
KANGAROO PAW



**'ROUND' HOLE
DETAIL**

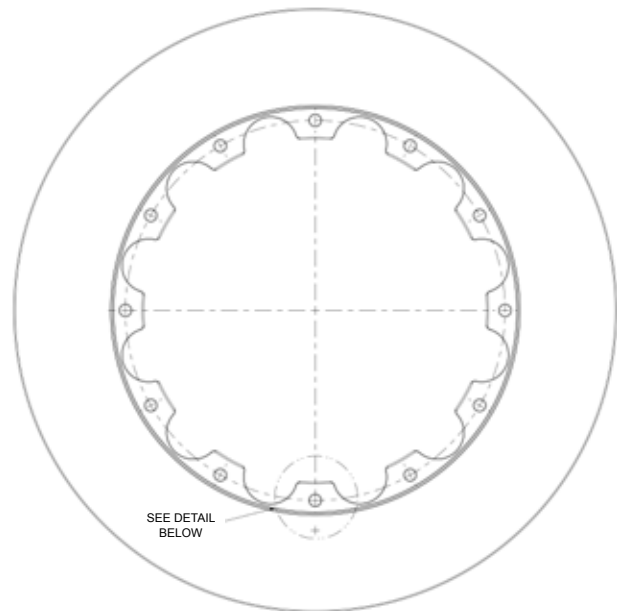


DBA Part No. **DBA 7056.1**



Technical Specifications

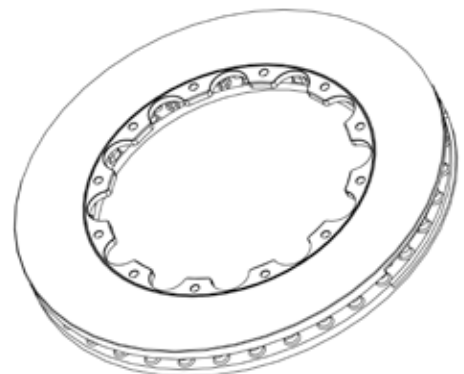
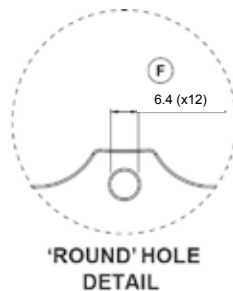
A	Diameter (mm)	343
B	Thickness (mm)	32
C	Annulus (mm) (Maximum useable pad width)	55
D	Air Gap (mm)	13
E	Offset (mm)	0
F	Dia. & No. of Bolt holes (mm)	6.4 (x12)
	Weight (kg)	8.32



Vent Design

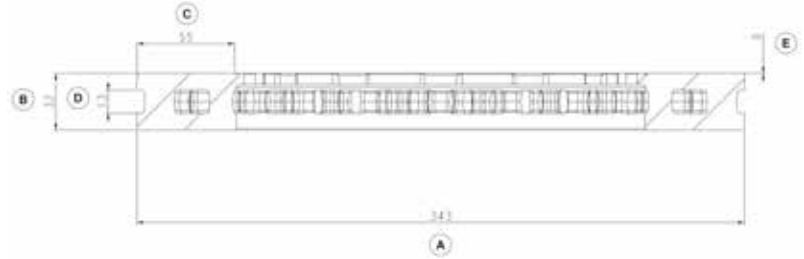


Kangaroo Paw



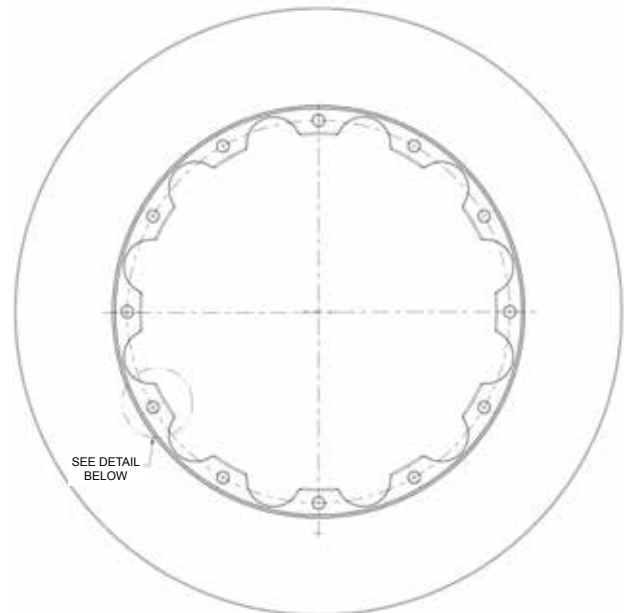
DBA Part No. **DBA 5055.1**

(Supplied with 1/4" UNF NAS crimp nuts)



Technical Specifications

A Diameter (mm)	343
B Thickness (mm)	32
C Annulus (mm) (Maximum useable pad width)	55
D Air Gap (mm)	13
E Offset (mm)	0
F Dia. & No. of Bolt holes (mm)	6.4 (x12)
Weight (kg)	8.29



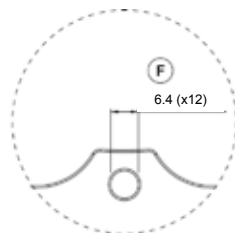
Vent Design



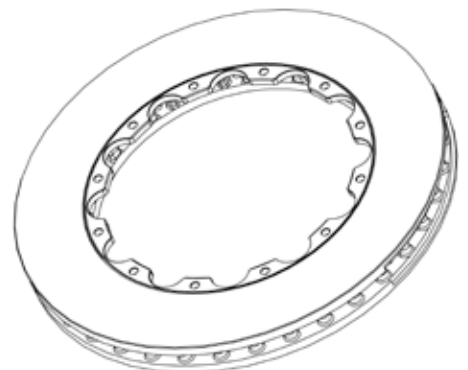
Kangaroo Paw



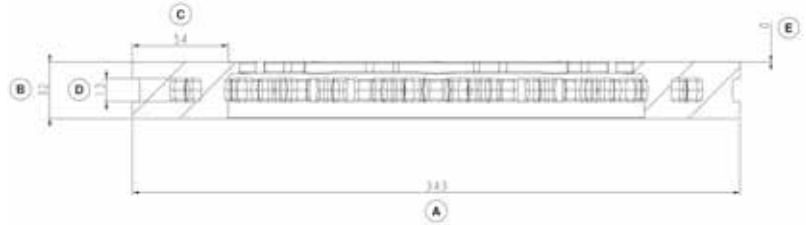
KANGAROO PAW



**'ROUND' HOLE
DETAIL**

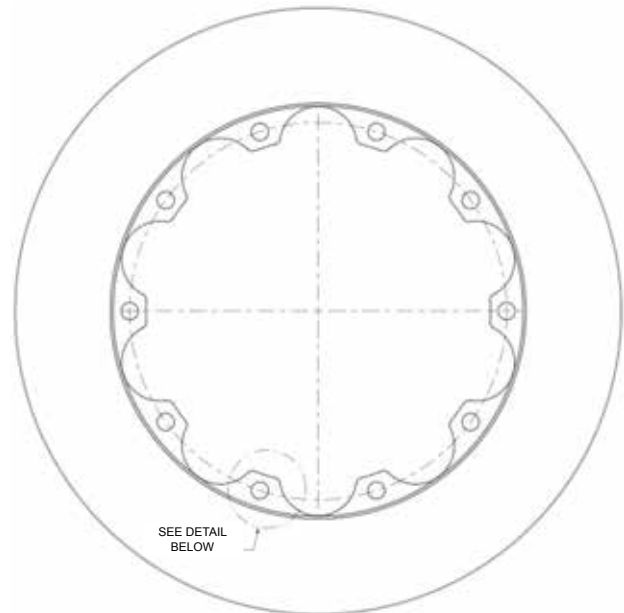


DBA Part No. **DBA 52939.1**



Technical Specifications

A Diameter (mm)	343
B Thickness (mm)	32
C Annulus (mm) (Maximum useable pad width)	54
D Air Gap (mm)	13
E Offset (mm)	0
F Dia. & No. of Bolt holes (mm)	9 x (10)
Weight (kg)	8.14



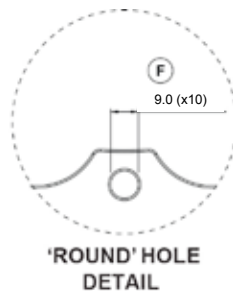
Vent Design



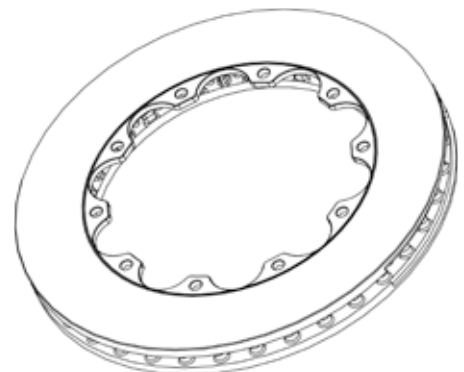
Kangaroo Paw



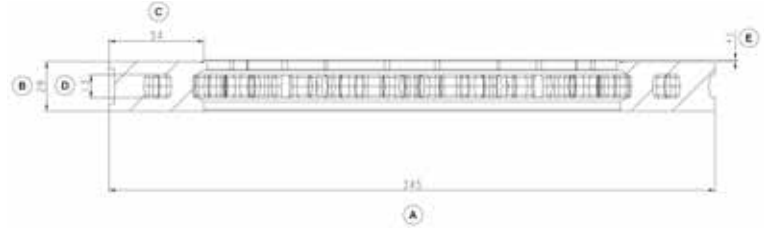
KANGAROO PAW



**'ROUND' HOLE
DETAIL**

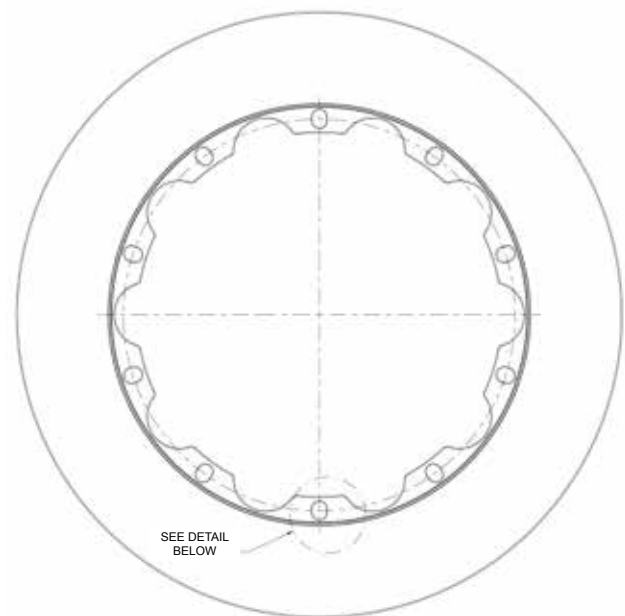


DBA Part No. **DBA 52915.1**



Technical Specifications

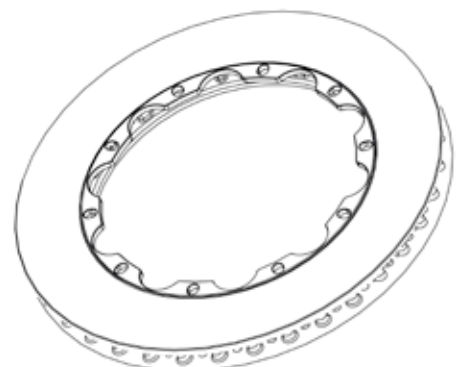
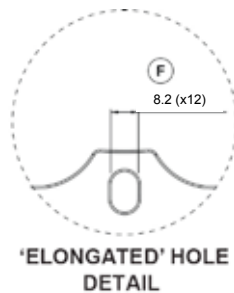
A	Diameter (mm)	345
B	Thickness (mm)	28
C	Annulus (mm) (Maximum useable pad width)	54
D	Air Gap (mm)	13
E	Offset (mm)	+ 1
F	Dia. & No. of Bolt holes (mm)	8.2 (x12)
	Weight (kg)	6.68



Vent Design

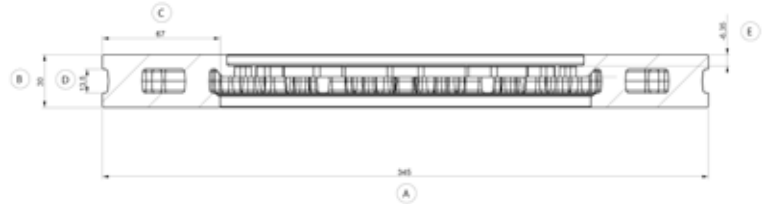


Kangaroo Paw



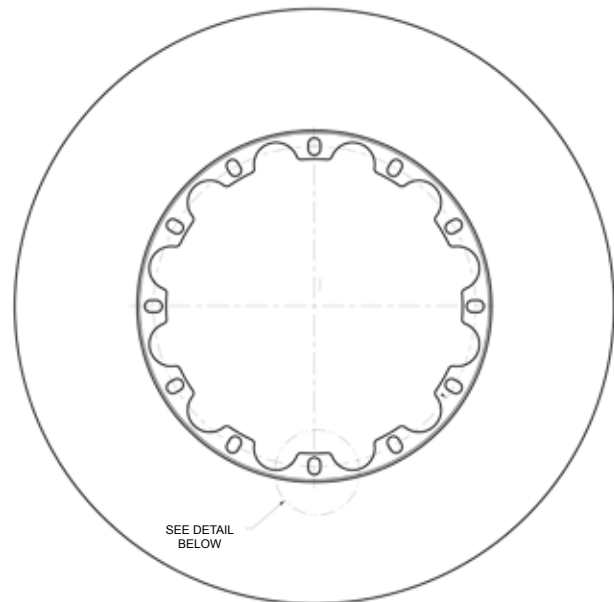
DBA Part No. **DBA 52808.1**

(Supplied with 1/4" UNF NAS crimp nuts)



Technical Specifications

A Diameter (mm)	345
B Thickness (mm)	30
C Annulus (mm) (Maximum useable pad width)	67
D Air Gap (mm)	13.5
E Offset (mm)	- 6.35
F Dia. & No. of Bolt holes (mm)	6.4 (x12)
Weight (kg)	8.78



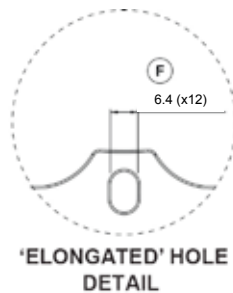
Vent Design



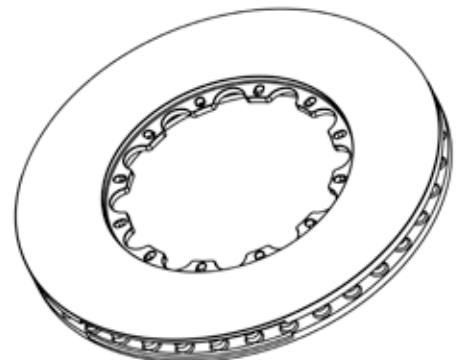
Kangaroo Paw



KANGAROO PAW

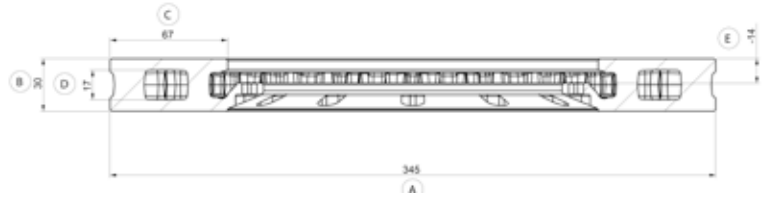


**'ELONGATED' HOLE
DETAIL**



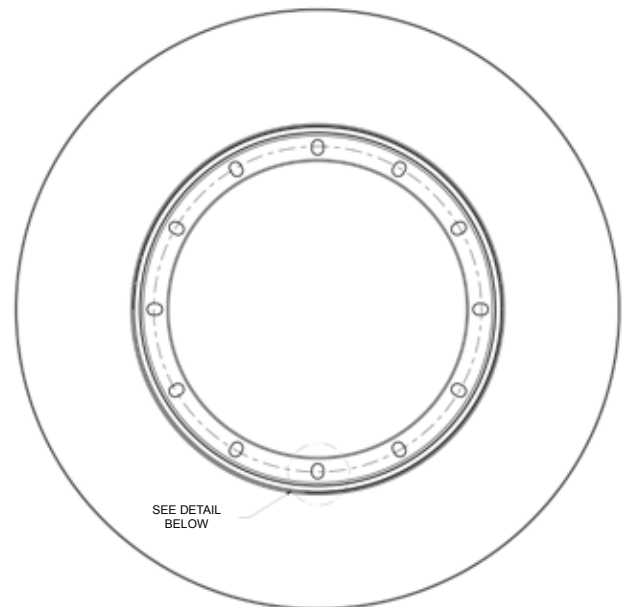
DBA Part No. **DBA 52808.1-V2**

(Supplied with 1/4" UNF NAS crimp nuts)



Technical Specifications

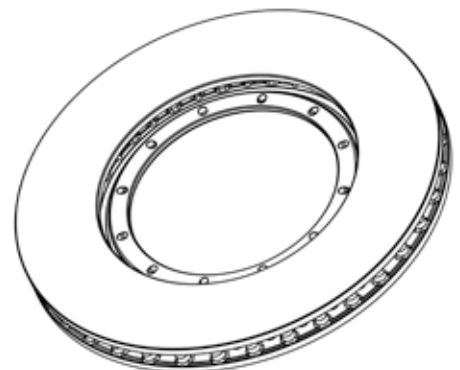
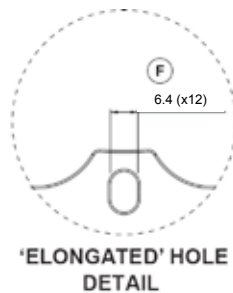
A Diameter (mm)	345
B Thickness (mm)	30
C Annulus (mm) (Maximum useable pad width)	67
D Air Gap (mm)	17
E Offset (mm)	- 14
F Dia. & No. of Bolt holes (mm)	6.4 (x12)
Weight (kg)	8.51



Vent Design



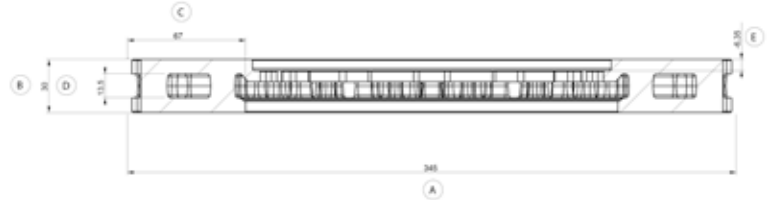
Kangaroo Paw



DBA Part No. **DBA 52808.1W**

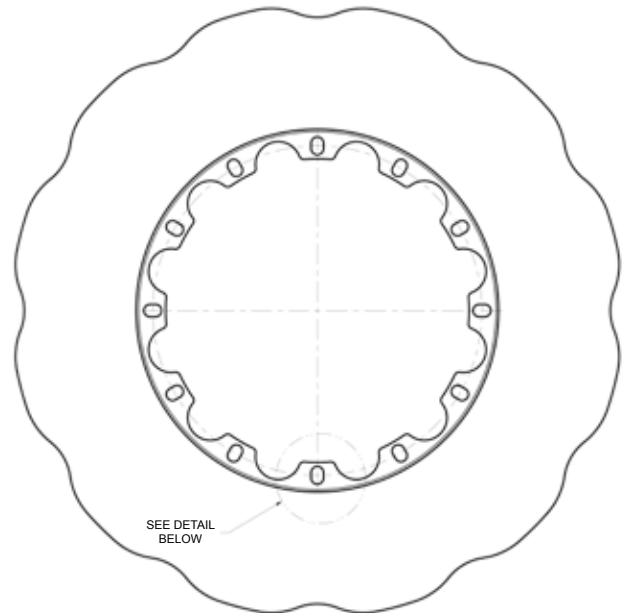
(Supplied with 1/4" UNF NAS crimp nuts)

Note: Wave Design disks are not to be used for any form of MotorSport



Technical Specifications

A Diameter (mm)	345
B Thickness (mm)	30
C Annulus (mm) (Maximum useable pad width)	67
D Air Gap (mm)	13.5
E Offset (mm)	- 6.35
F Dia. & No. of Bolt holes (mm)	6.4 (x12)
Weight (kg)	8.46



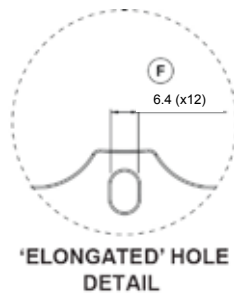
Vent Design



Kangaroo Paw



KANGAROO PAW



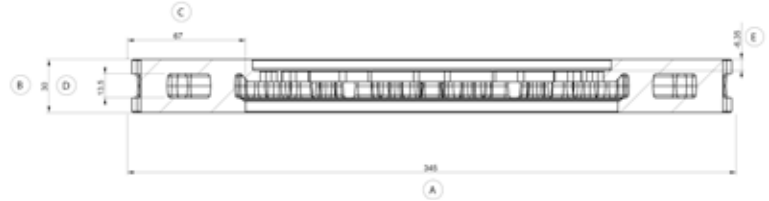
**'ELONGATED' HOLE
DETAIL**



DBA Part No. **DBA 52808.1W-V2**

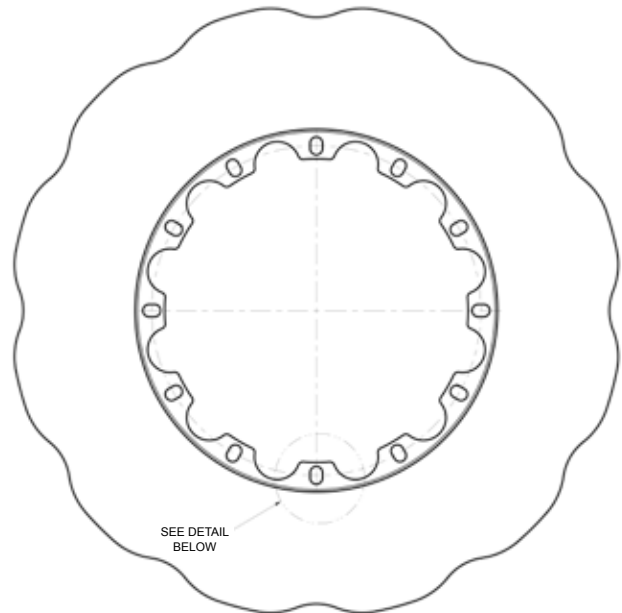
(Supplied with 1/4" UNF NAS crimp nuts)

Note: Wave Design disks are not to be used for any form of MotorSport



Technical Specifications

A Diameter (mm)	345
B Thickness (mm)	30
C Annulus (mm) (Maximum useable pad width)	67
D Air Gap (mm)	17
E Offset (mm)	- 14
F Dia. & No. of Bolt holes (mm)	6.4 (x12)
Weight (kg)	8.15



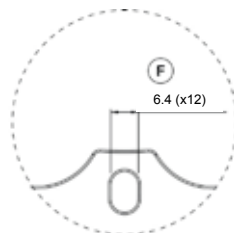
Vent Design



Kangaroo Paw



KANGAROO PAW



**'ELONGATED' HOLE
DETAIL**



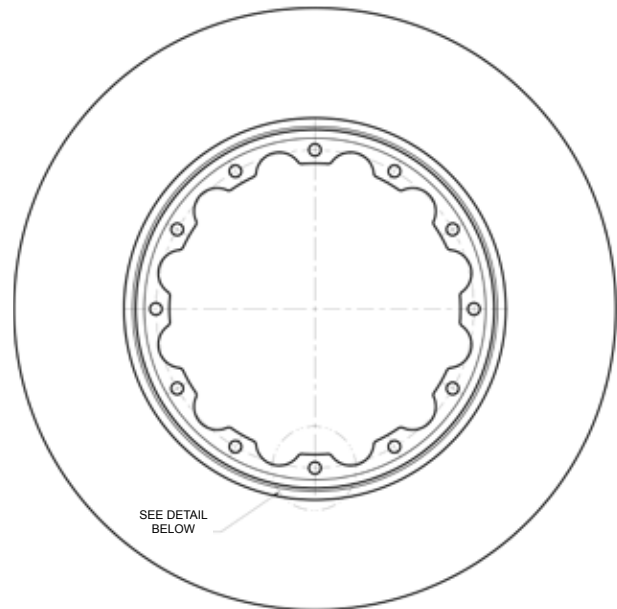
DBA Part No. **DBA 53146.1**

(Supplied with 1/4" UNF NAS crimp nuts)



Technical Specifications

A	Diameter (mm)	345
B	Thickness (mm)	30
C	Annulus (mm) (Maximum useable pad width)	63
D	Air Gap (mm)	12
E	Offset (mm)	-4
F	Dia. & No. of Bolt holes (mm)	6.4 (x12)
	Weight (kg)	9.2



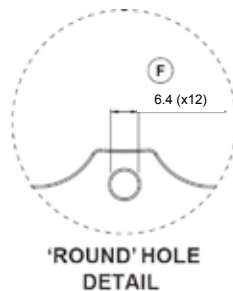
Vent Design



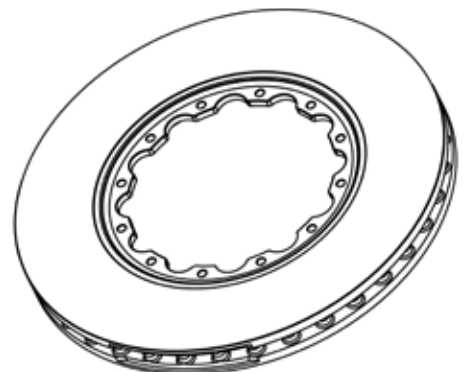
Kangaroo Paw



KANGAROO PAW



**'ROUND' HOLE
DETAIL**



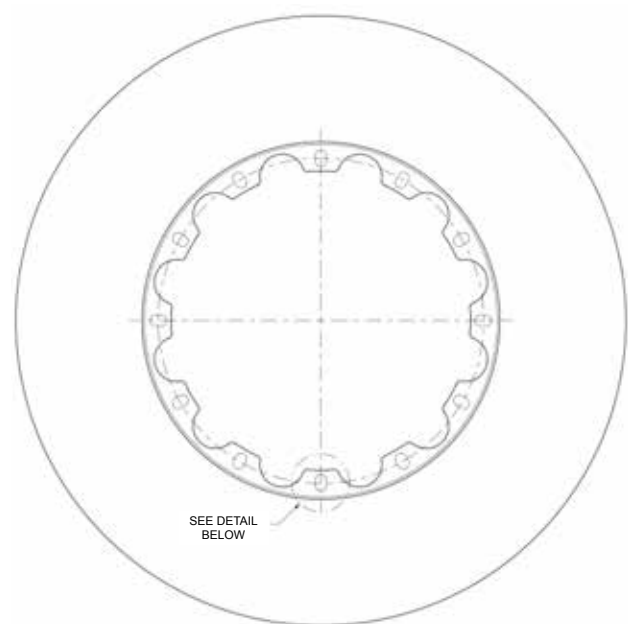
DBA Part No. **DBA 52858.1**

(Supplied with 1/4" UNF NAS crimp nuts)



Technical Specifications

A Diameter (mm)	348
B Thickness (mm)	30
C Annulus (mm) (Maximum useable pad width)	69.5
D Air Gap (mm)	13.5
E Offset (mm)	- 6.35
F Dia. & No. of Bolt holes (mm)	6.4 (x12)
Weight (kg)	9



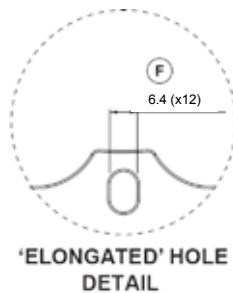
Vent Design



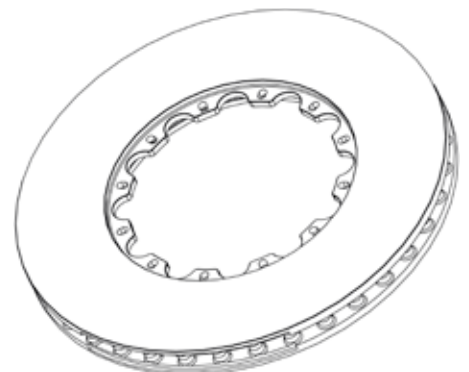
Kangaroo Paw



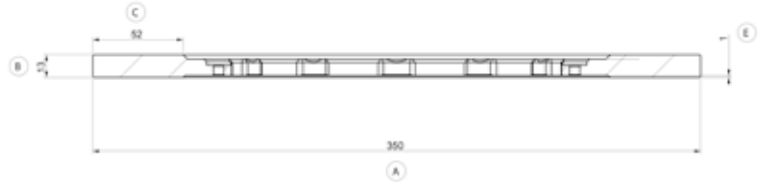
KANGAROO PAW



**'ELONGATED' HOLE
DETAIL**

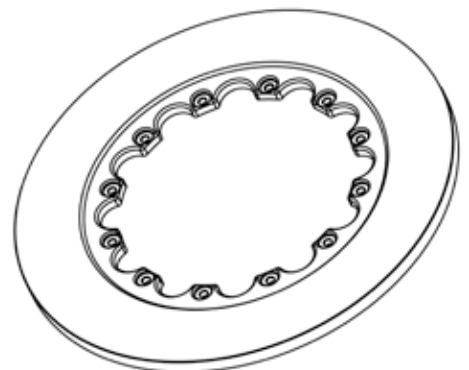
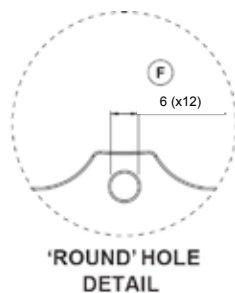
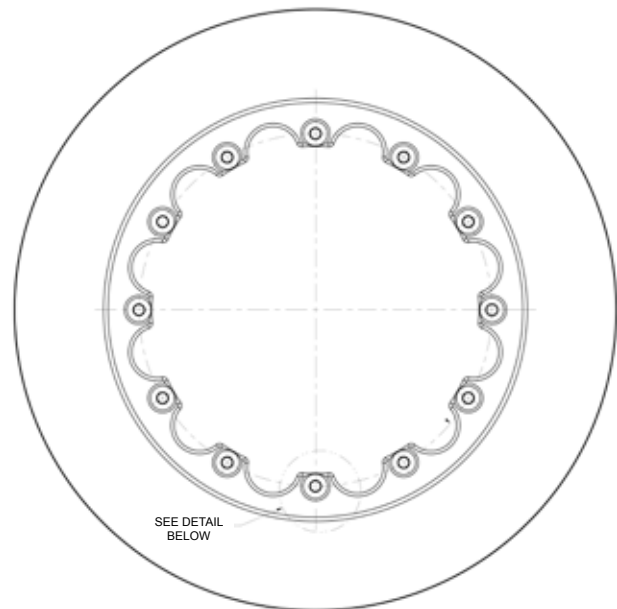


DBA Part No. **DBA 2978.1**

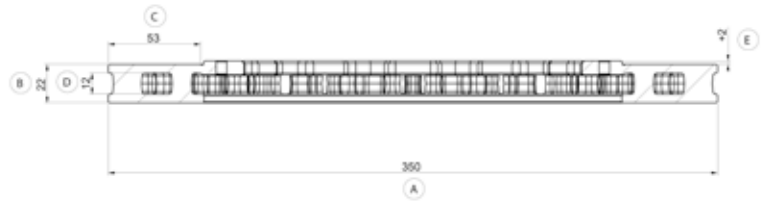


Technical Specifications

A	Diameter (mm)	350
B	Thickness (mm)	13
C	Annulus (mm) (Maximum useable pad width)	52
D	Air Gap (mm)	0
E	Offset (mm)	- 1
F	Dia. & No. of Bolt holes (mm)	6 (x12)
	Weight (kg)	5.4
	Vent Design	Solid

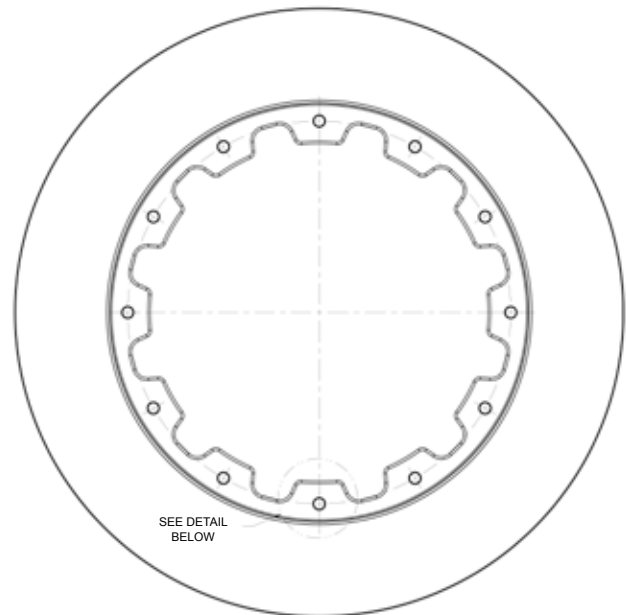


DBA Part No. **DBA 52934.1**



Technical Specifications

A	Diameter (mm)	350
B	Thickness (mm)	22
C	Annulus (mm) (Maximum useable pad width)	53
D	Air Gap (mm)	12
E	Offset (mm)	+ 2
F	Dia. & No. of Bolt holes (mm)	6.1 (x12)
	Weight (kg)	5.36



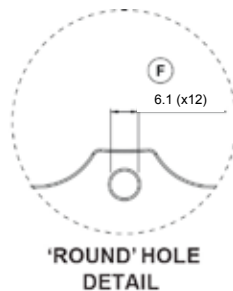
Vent Design



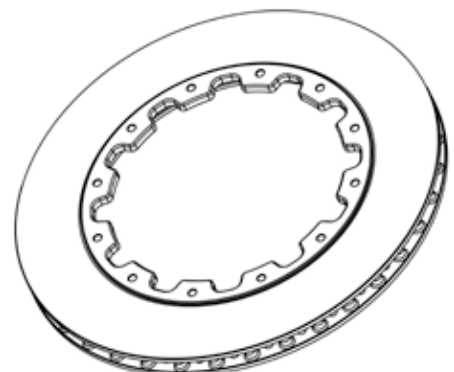
Kangaroo Paw



KANGAROO PAW



**'ROUND' HOLE
DETAIL**



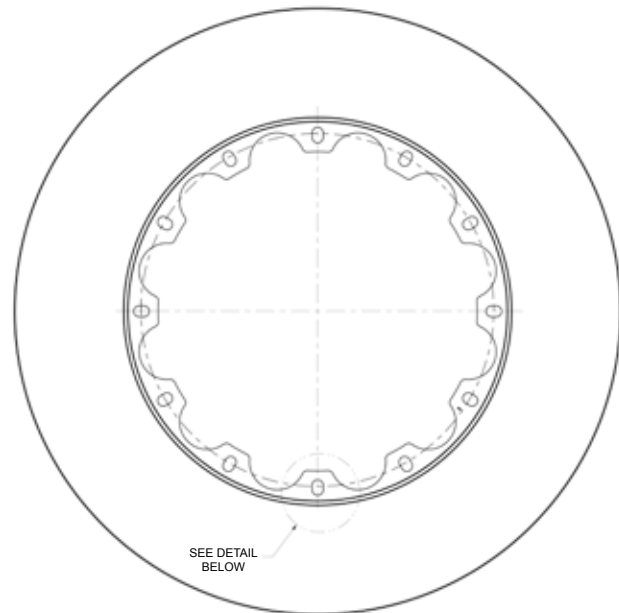
DBA Part No. **DBA 52968.1**

(Supplied with 1/4" UNF NAS crimp nuts)



Technical Specifications

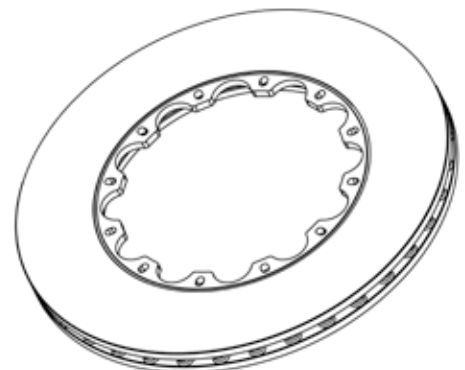
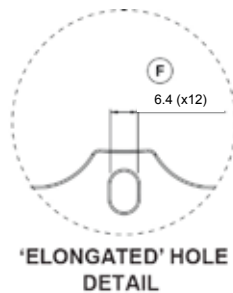
A	Diameter (mm)	350
B	Thickness (mm)	25
C	Annulus (mm) (Maximum useable pad width)	63
D	Air Gap (mm)	8.5
E	Offset (mm)	0
F	Dia. & No. of Bolt holes (mm)	6.4 (x12)
	Weight (kg)	8.86



Vent Design

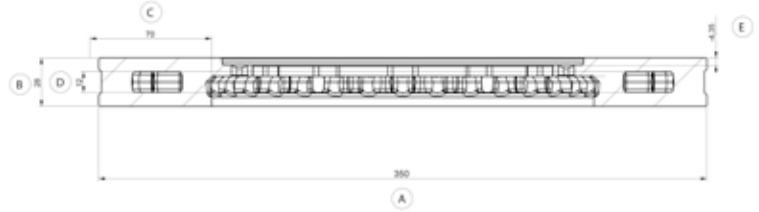


Kangaroo Paw



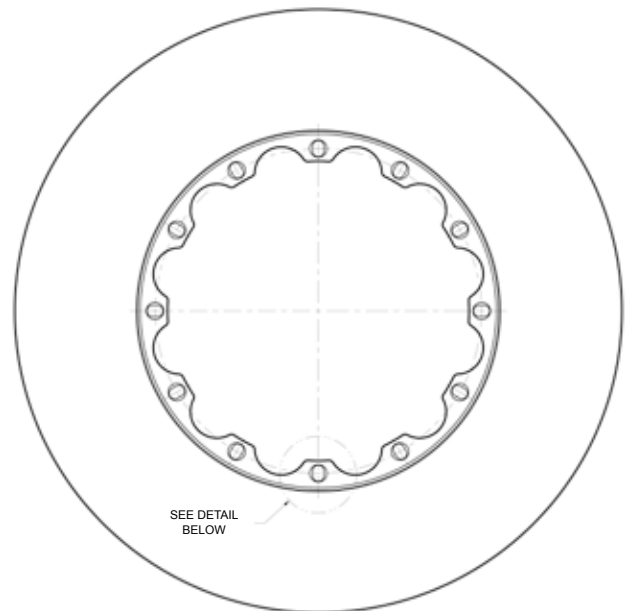
DBA Part No. **DBA 52644.1**

(Supplied with 1/4" UNF NAS crimp nuts)



Technical Specifications

A	Diameter (mm)	350
B	Thickness (mm)	28
C	Annulus (mm) (Maximum useable pad width)	70
D	Air Gap (mm)	12
E	Offset (mm)	-4.35
F	Dia. & No. of Bolt holes (mm)	6.4 (x12)
	Weight (kg)	8.53



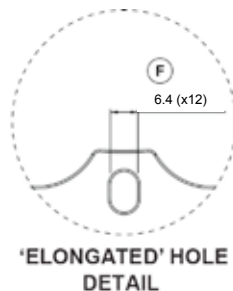
Vent Design



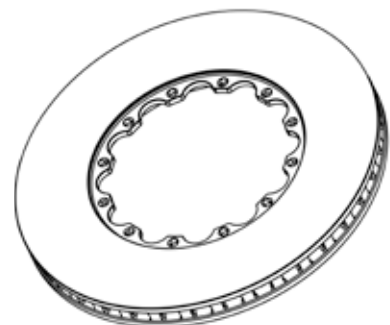
Kangaroo Paw



KANGAROO PAW

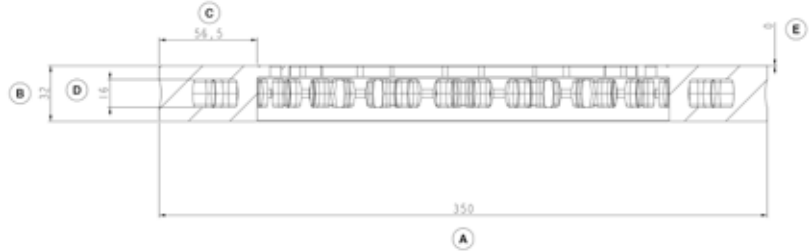


**'ELONGATED' HOLE
DETAIL**



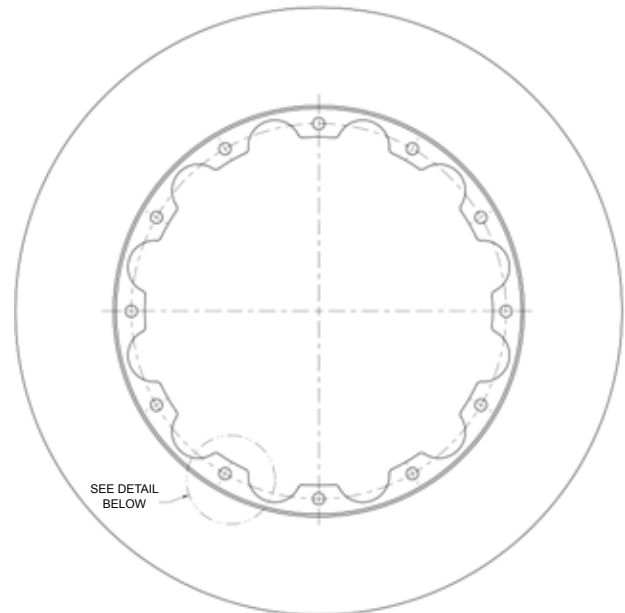
DBA Part No. **DBA 52019.1**

(Supplied with 1/4" UNF NAS crimp nuts)



Technical Specifications

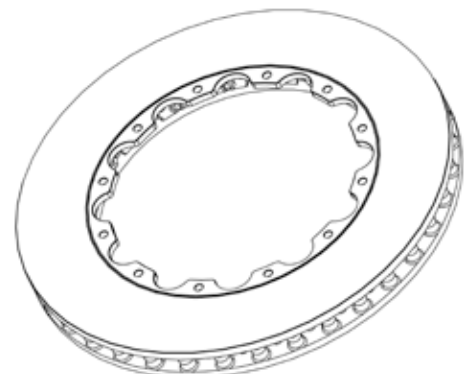
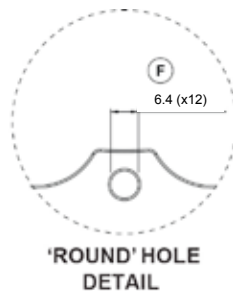
A Diameter (mm)	350
B Thickness (mm)	32
C Annulus (mm) (Maximum useable pad width)	56.5
D Air Gap (mm)	16
E Offset (mm)	0
F Dia. & No. of Bolt holes (mm)	6.4 (x12)
Weight (kg)	7.95



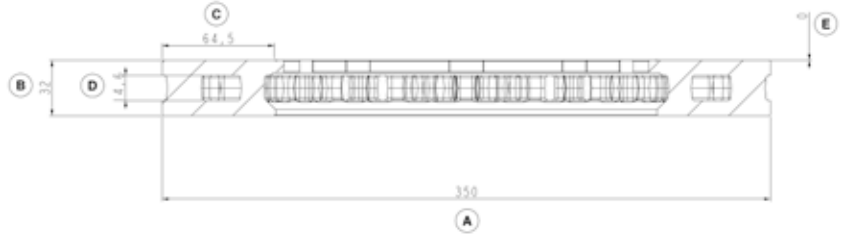
Vent Design



Kangaroo Paw

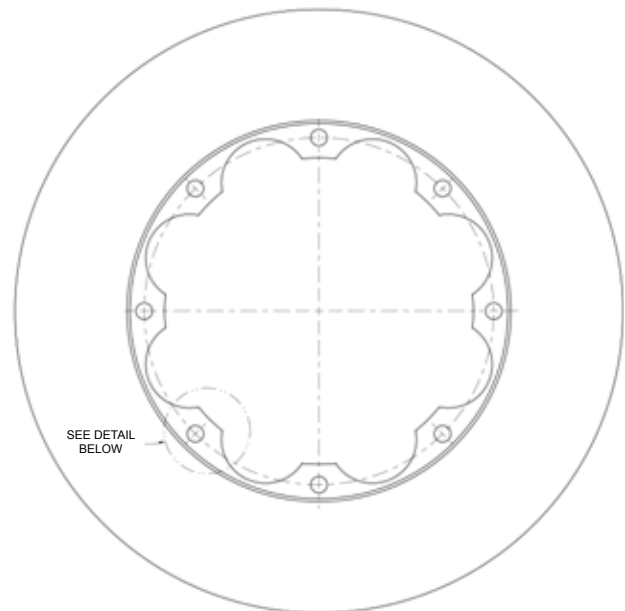


DBA Part No. **DBA 52223.1**



Technical Specifications

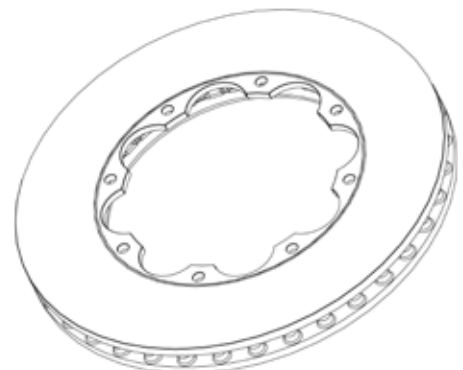
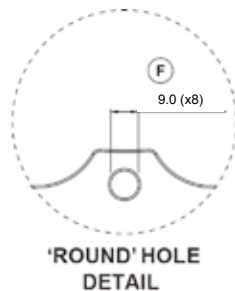
A Diameter (mm)	350
B Thickness (mm)	32
C Annulus (mm) (Maximum useable pad width)	64.5
D Air Gap (mm)	14.6
E Offset (mm)	0
F Dia. & No. of Bolt holes (mm)	9 (x8)
Weight (kg)	9.12



Vent Design



Kangaroo Paw



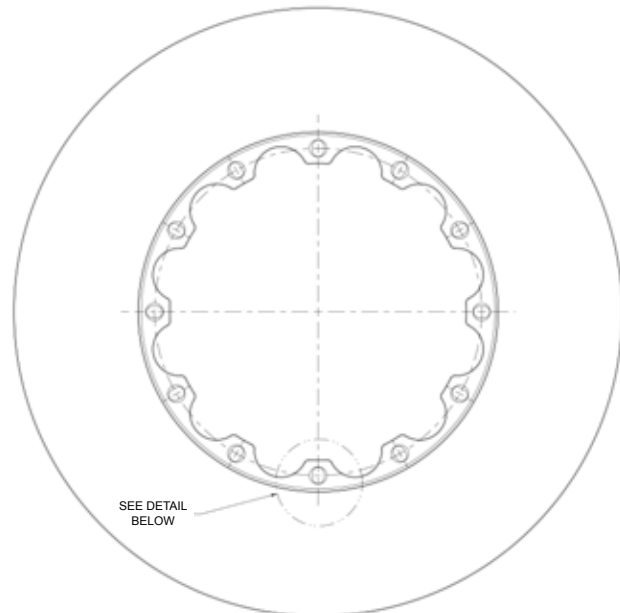
DBA Part No. **DBA 52224.1**

(Supplied with 1/4" UNF NAS crimp nuts)



Technical Specifications

A Diameter (mm)	350
B Thickness (mm)	32
C Annulus (mm) (Maximum useable pad width)	65.25
D Air Gap (mm)	14.6
E Offset (mm)	- 6.35
F Dia. & No. of Bolt holes (mm)	6.4 (x12)
Weight (kg)	9.45



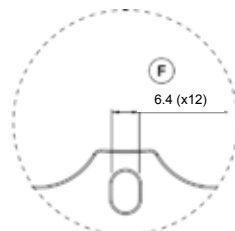
Vent Design



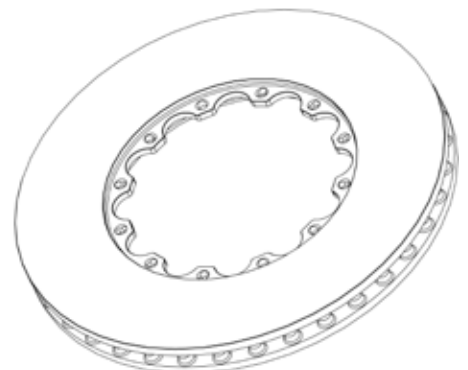
Kangaroo Paw



KANGAROO PAW

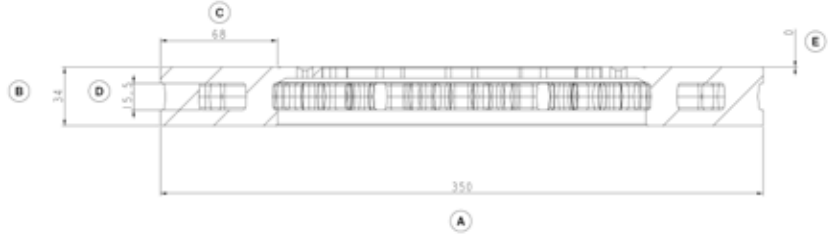


**'ELONGATED' HOLE
DETAIL**



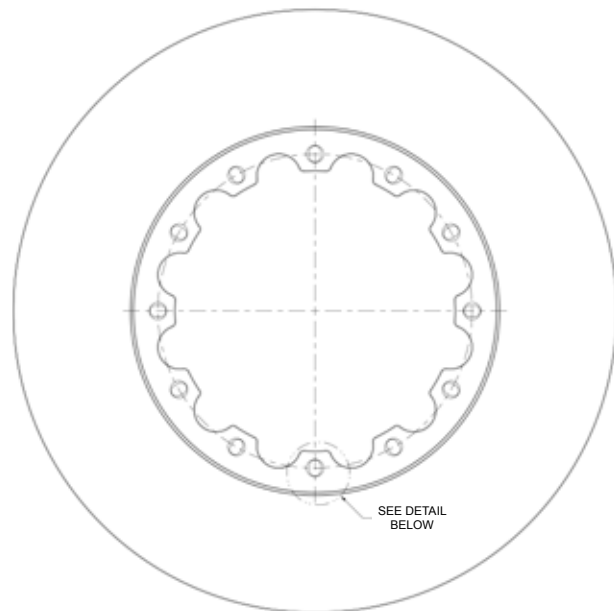
DBA Part No. **DBA 52396.1**

(Supplied with 1/4" UNF NAS crimp nuts)



Technical Specifications

A Diameter (mm)	350
B Thickness (mm)	34
C Annulus (mm) (Maximum useable pad width)	68
D Air Gap (mm)	15.5
E Offset (mm)	0
F Dia. & No. of Bolt holes (mm)	6.4 (x12)
Weight (kg)	10.29



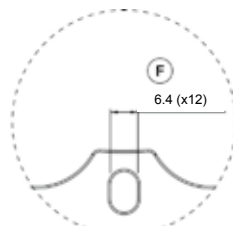
Vent Design



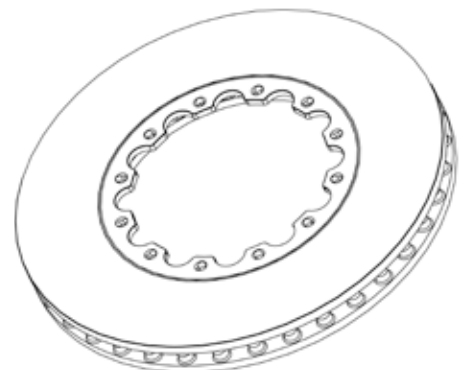
Kangaroo Paw



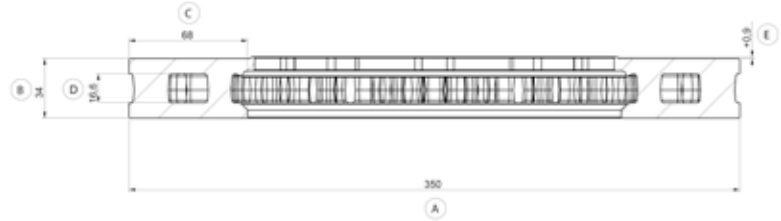
KANGAROO PAW



**'ELONGATED' HOLE
DETAIL**

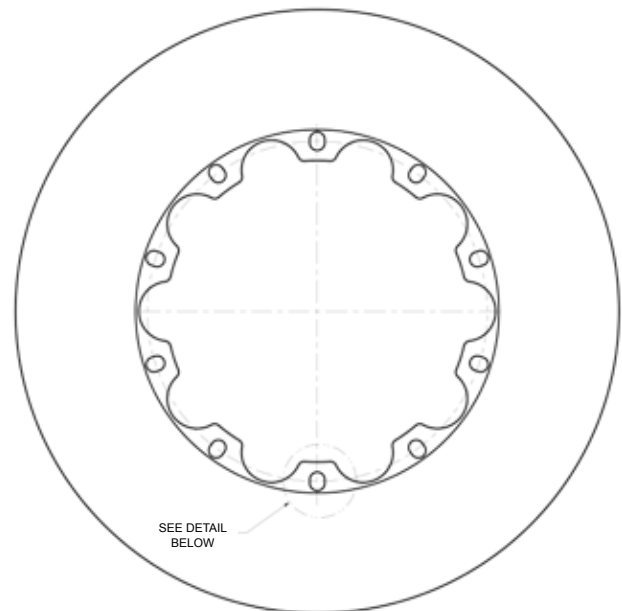


DBA Part No. **DBA 52945.1**



Technical Specifications

A Diameter (mm)	350
B Thickness (mm)	34
C Annulus (mm) (Maximum useable pad width)	68
D Air Gap (mm)	16.6
E Offset (mm)	+ 0.9
F Dia. & No. of Bolt holes (mm)	8.15 (x10)
Weight (kg)	9.24



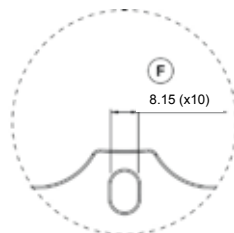
Vent Design



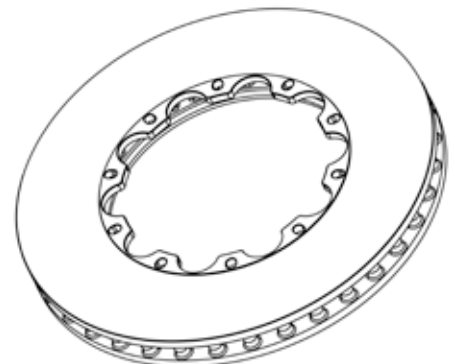
Kangaroo Paw



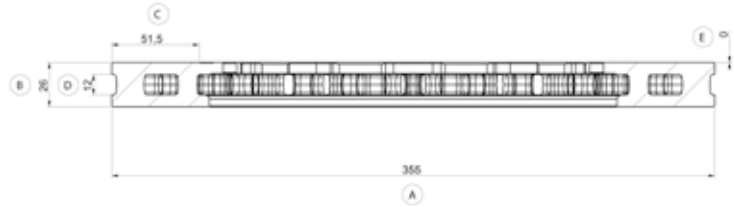
KANGAROO PAW




**'ELONGATED' HOLE
DETAIL**

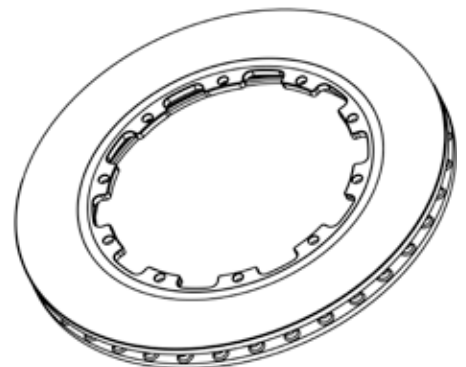
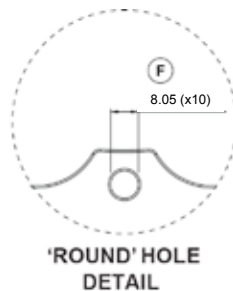
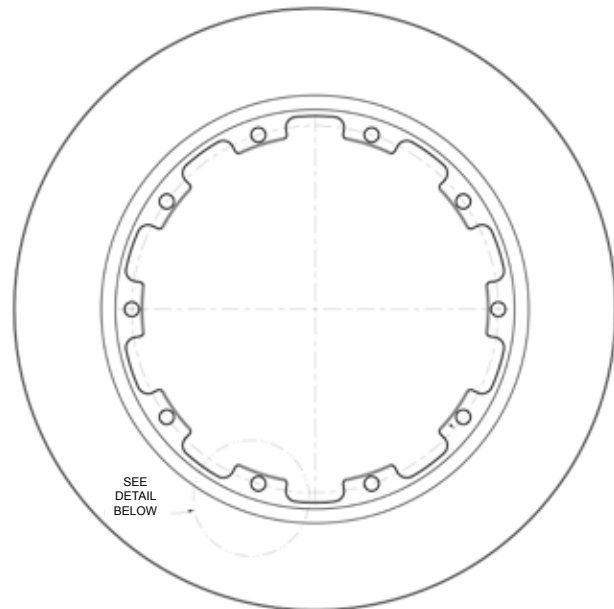


DBA Part No. **DBA 52909.1**

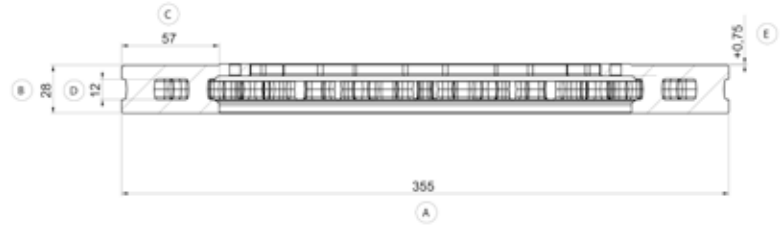


Technical Specifications

A Diameter (mm)	355
B Thickness (mm)	26
C Annulus (mm) (Maximum useable pad width)	51.5
D Air Gap (mm)	12
E Offset (mm)	0
F Dia. & No. of Bolt holes (mm)	8.05 (x10)
Weight (kg)	8.8
Vent Design	 Kangaroo Paw

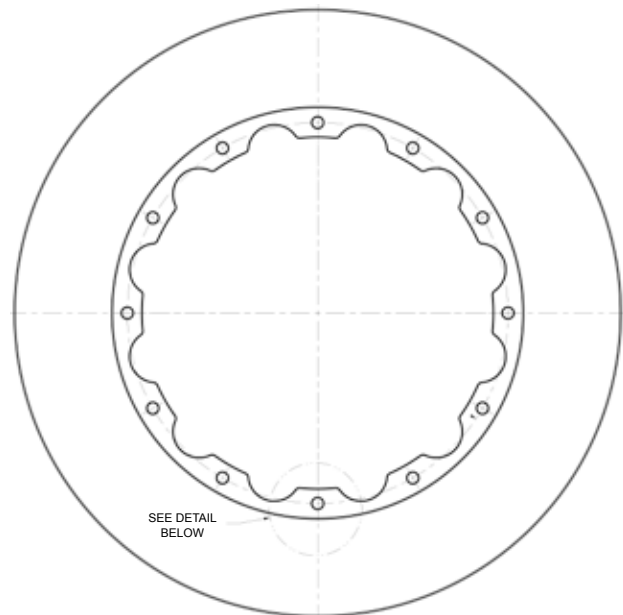


DBA Part No. **DBA 52916.1**



Technical Specifications

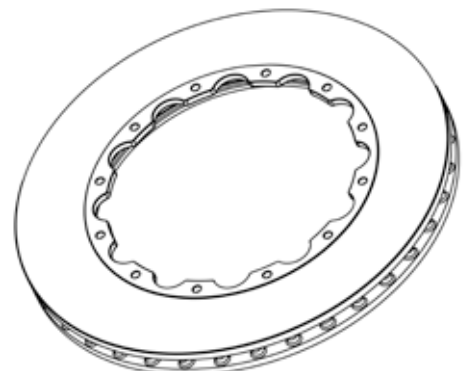
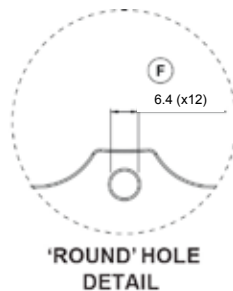
A	Diameter (mm)	355
B	Thickness (mm)	28
C	Annulus (mm) (Maximum useable pad width)	57
D	Air Gap (mm)	12
E	Offset (mm)	+ 0.75
F	Dia. & No. of Bolt holes (mm)	6.4 (x12)
	Weight (kg)	7.59



Vent Design

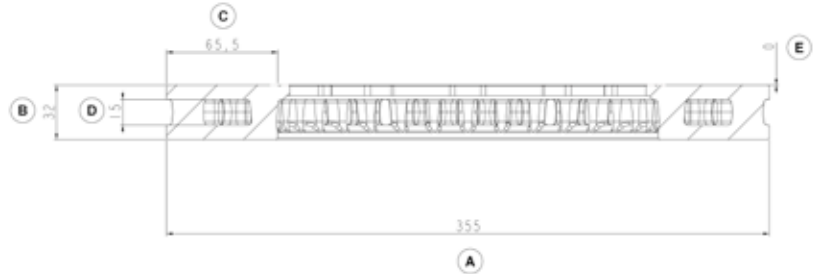


Kangaroo Paw



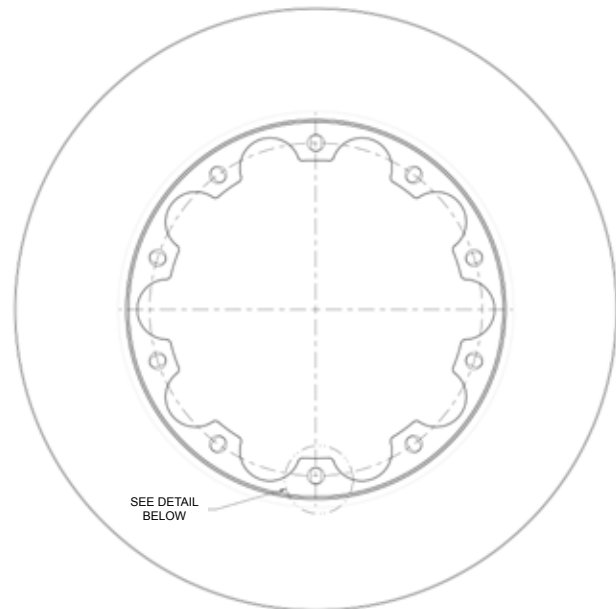
DBA Part No. **DBA 52604.1**

(Supplied with 1/4" UNF NAS crimp nuts)



Technical Specifications

A Diameter (mm)	355
B Thickness (mm)	32
C Annulus (mm) (Maximum useable pad width)	65.5
D Air Gap (mm)	15
E Offset (mm)	0
F Dia. & No. of Bolt holes (mm)	6.4 (x10)
Weight (kg)	9.24



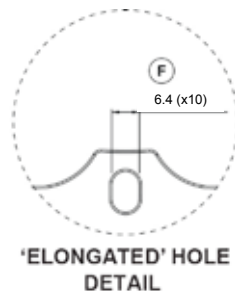
Vent Design



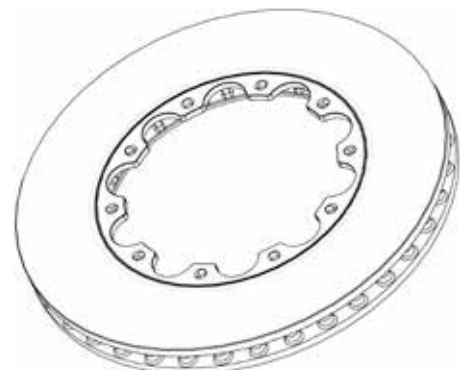
Kangaroo Paw



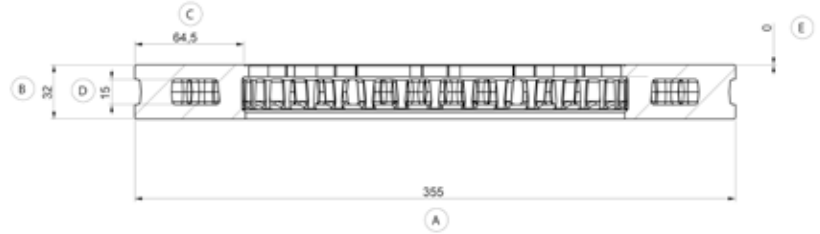
KANGAROO PAW



**'ELONGATED' HOLE
DETAIL**

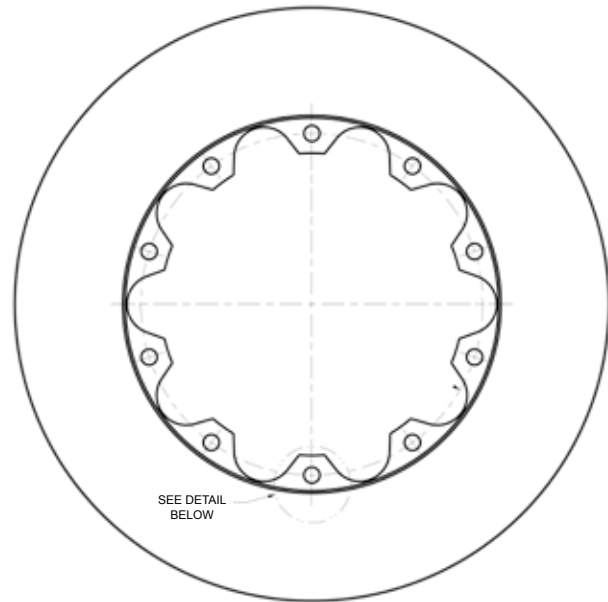


DBA Part No. **DBA 52073.1**



Technical Specifications

A Diameter (mm)	355
B Thickness (mm)	32
C Annulus (mm) (Maximum useable pad width)	64.5
D Air Gap (mm)	15
E Offset (mm)	0
F Dia. & No. of Bolt holes (mm)	9 (x10)
Weight (kg)	9.05



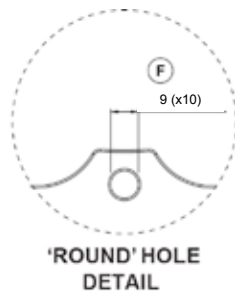
Vent Design



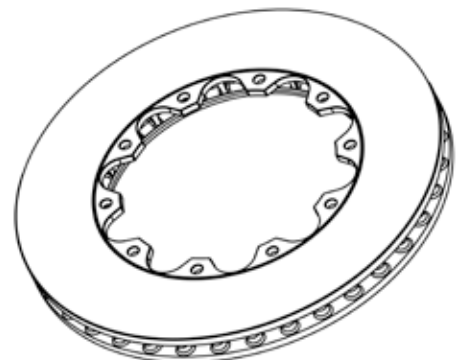
Kangaroo Paw



KANGAROO PAW

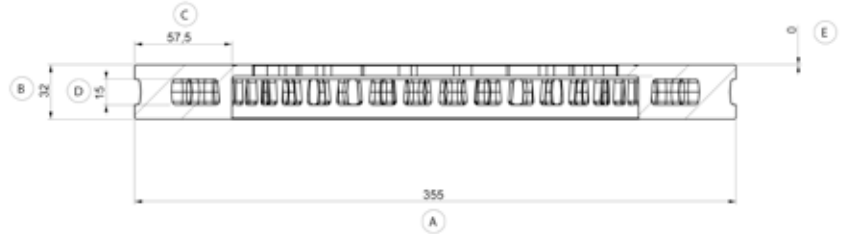


**'ROUND' HOLE
DETAIL**



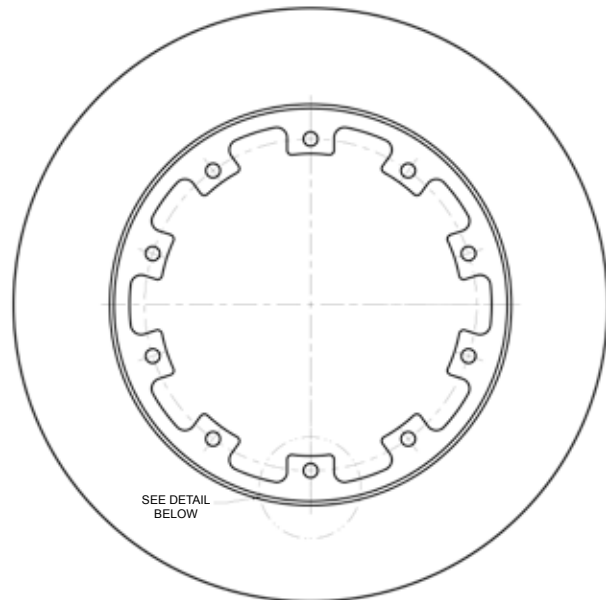
DBA Part No. **DBA 52075.1**

(Supplied with 1/4" UNF NAS crimp nuts)



Technical Specifications

A Diameter (mm)	355
B Thickness (mm)	32
C Annulus (mm) (Maximum useable pad width)	57.5
D Air Gap (mm)	15
E Offset (mm)	0
F Dia. & No. of Bolt holes (mm)	6.4 (x10)
Weight (kg)	8.96



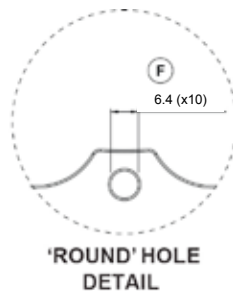
Vent Design



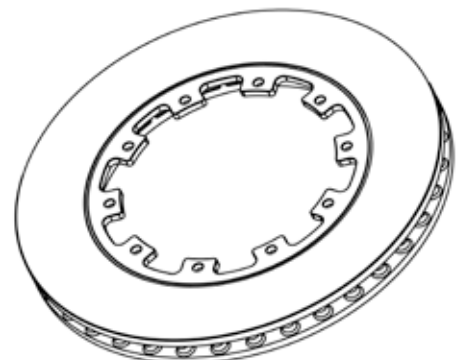
Kangaroo Paw



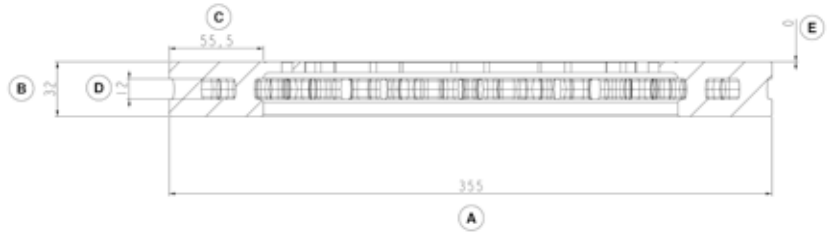
KANGAROO PAW



**'ROUND' HOLE
DETAIL**

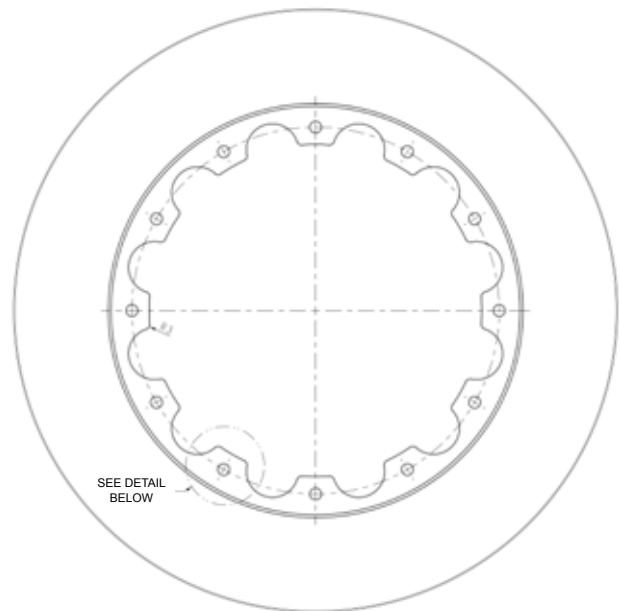


DBA Part No. **DBA 52750.1**



Technical Specifications

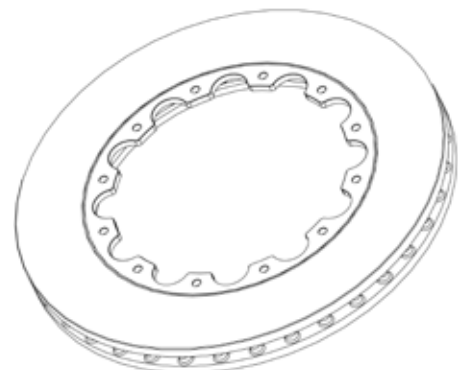
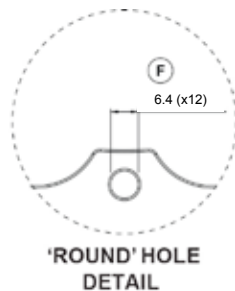
A Diameter (mm)	355
B Thickness (mm)	32
C Annulus (mm) (Maximum useable pad width)	55.5
D Air Gap (mm)	12
E Offset (mm)	0
F Dia. & No. of Bolt holes (mm)	6.4 (x12)
Weight (kg)	9.05



Vent Design

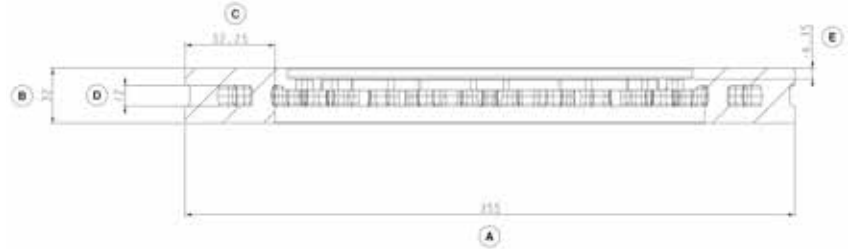


Kangaroo Paw



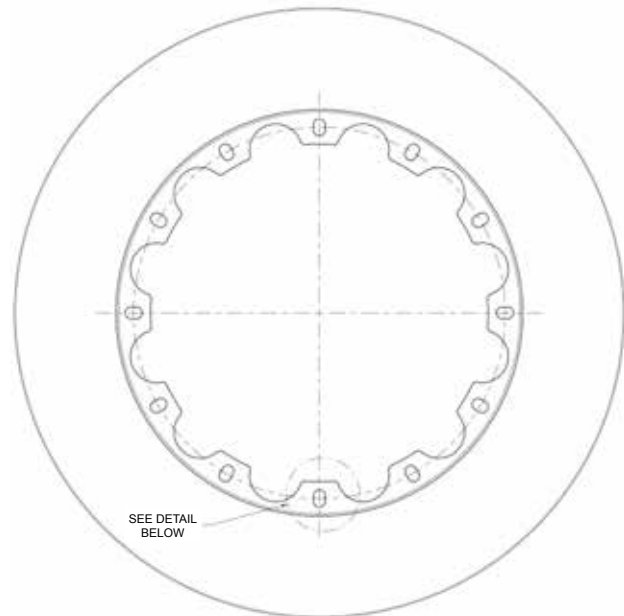
DBA Part No. **DBA 52992.1**

(Supplied with 1/4" UNF NAS crimp nuts)



Technical Specifications

A	Diameter (mm)	355
B	Thickness (mm)	32
C	Annulus (mm) (Maximum useable pad width)	52.25
D	Air Gap (mm)	12
E	Offset (mm)	- 6.35
F	Dia. & No. of Bolt holes (mm)	6.4 (x12)
	Weight (kg)	8.96



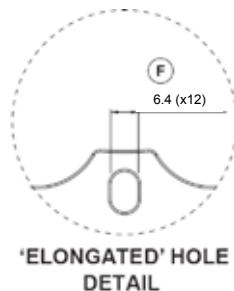
Vent Design



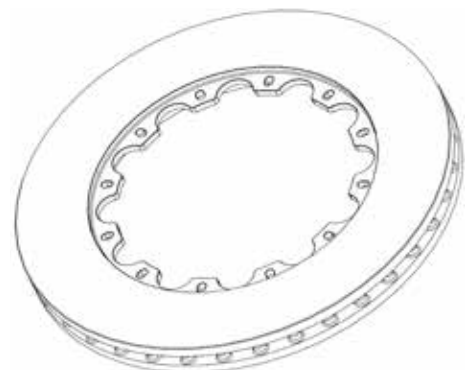
Kangaroo Paw



KANGAROO PAW



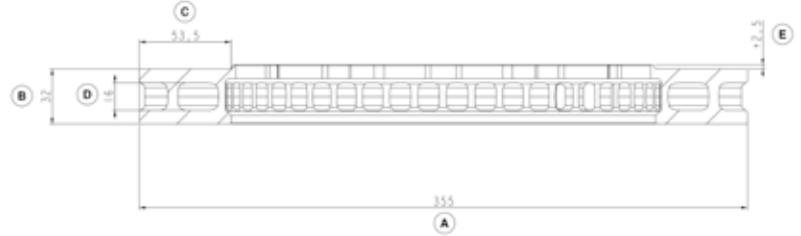
**'ELONGATED' HOLE
DETAIL**




DBA Part Nos.

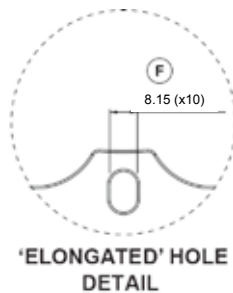
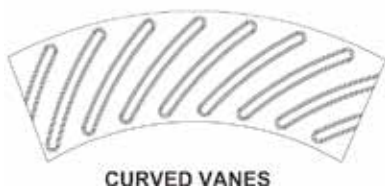
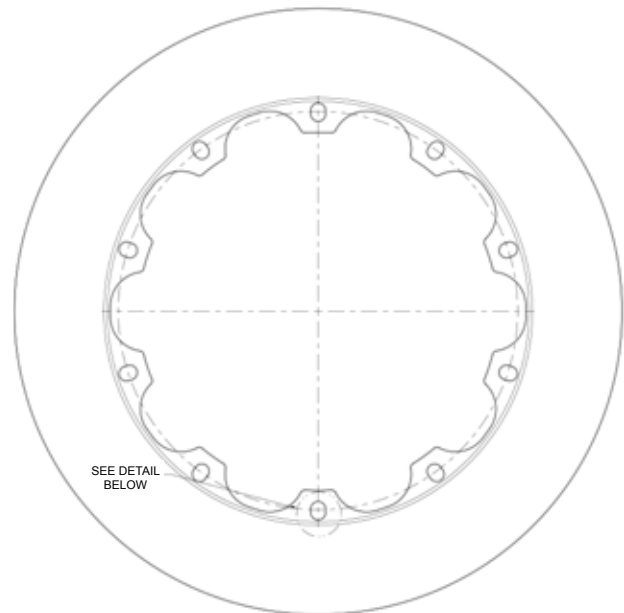
DBA 52923.1L

DBA 52923.1R



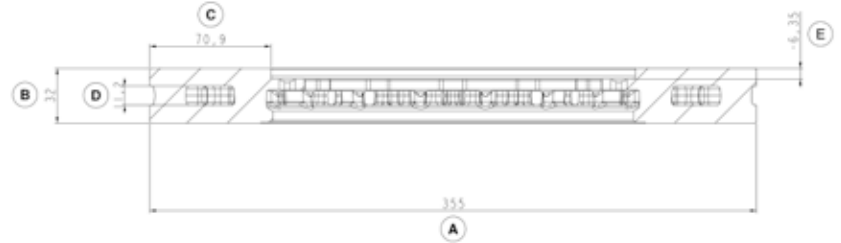
Technical Specifications

A	Diameter (mm)	355
B	Thickness (mm)	32
C	Annulus (mm) (Maximum useable pad width)	53.5
D	Air Gap (mm)	16
E	Offset (mm)	+ 2.5
F	Dia. & No. of Bolt holes (mm)	8.15 (x10)
	Weight (kg)	7.5
	Vent Design	 Curved Vanes



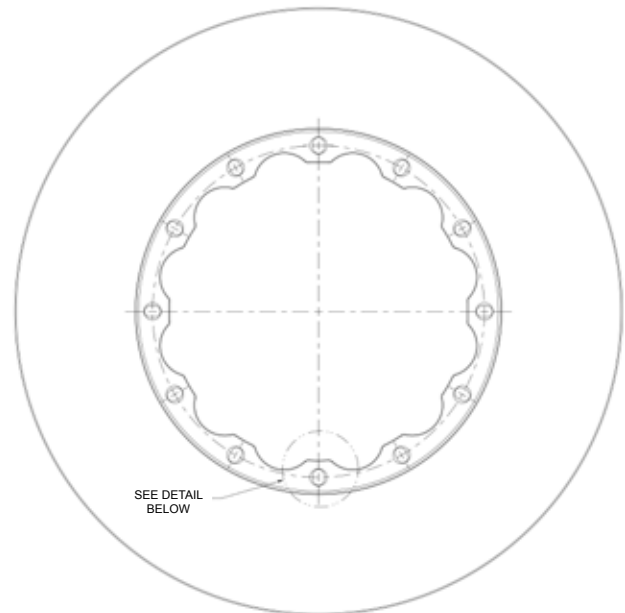
DBA Part No. **DBA 52314.1**

(Supplied with 1/4" UNF NAS crimp nuts)



Technical Specifications

A Diameter (mm)	355
B Thickness (mm)	32
C Annulus (mm) (Maximum useable pad width)	70.9
D Air Gap (mm)	11.2
E Offset (mm)	- 6.35
F Dia. & No. of Bolt holes (mm)	6.4 (x12)
Weight (kg)	11.06



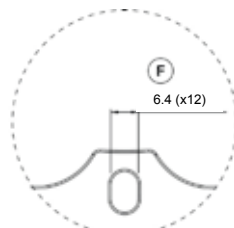
Vent Design



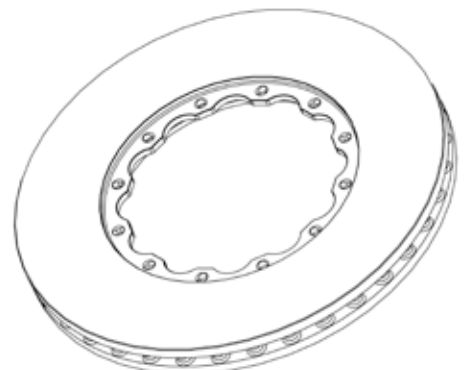
Kangaroo Paw



KANGAROO PAW

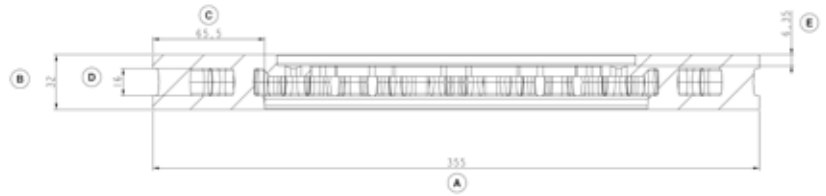


**'ELONGATED' HOLE
DETAIL**



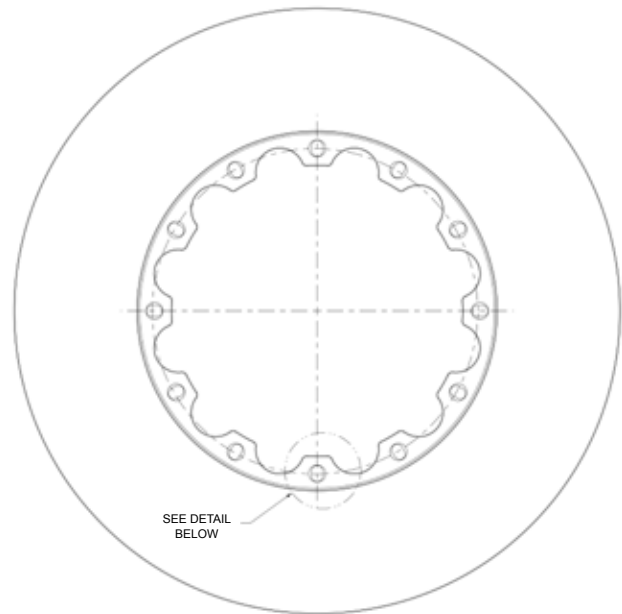
DBA Part No. **DBA 52124.1**

(Supplied with 1/4" UNF NAS crimp nuts)



Technical Specifications

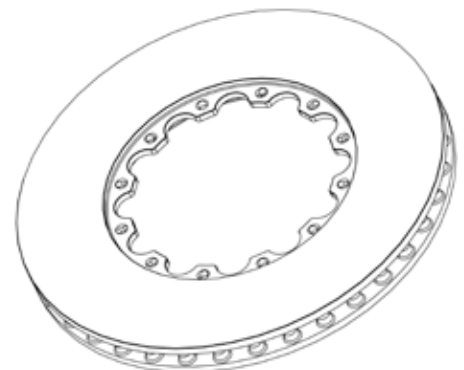
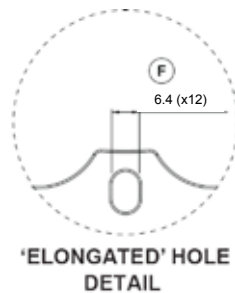
A Diameter (mm)	355
B Thickness (mm)	32
C Annulus (mm) (Maximum useable pad width)	65.5
D Air Gap (mm)	16
E Offset (mm)	- 6.35
F Dia. & No. of Bolt holes (mm)	6.4 (x12)
Weight (kg)	9.18



Vent Design

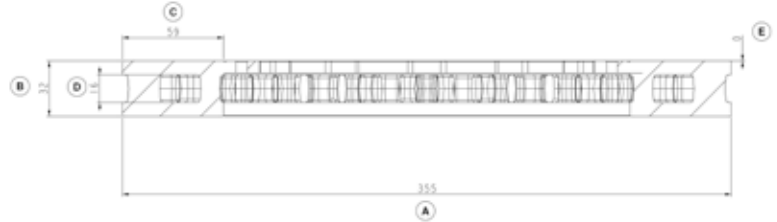


Kangaroo Paw



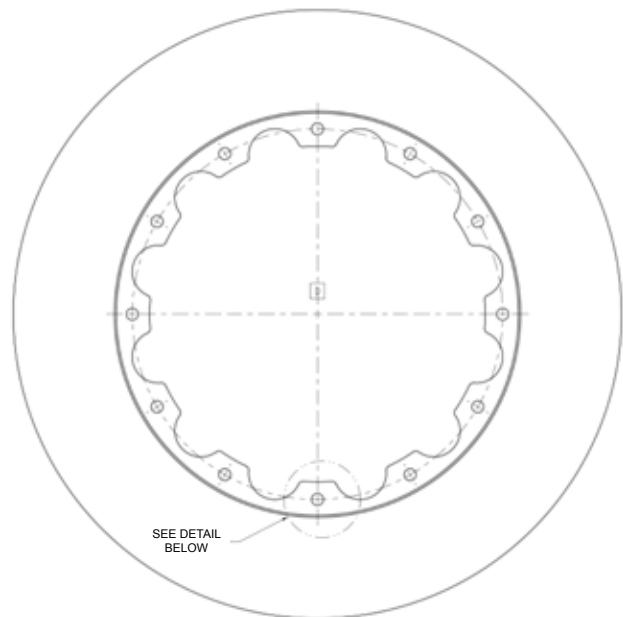
DBA Part No. **DBA 52905.1**

(Supplied with 1/4" UNF NAS crimp nuts)



Technical Specifications

A	Diameter (mm)	355
B	Thickness (mm)	32
C	Annulus (mm) (Maximum useable pad width)	59
D	Air Gap (mm)	16
E	Offset (mm)	0
F	Dia. & No. of Bolt holes (mm)	6.4 (x12)
	Weight (kg)	8.4



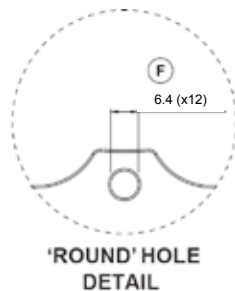
Vent Design



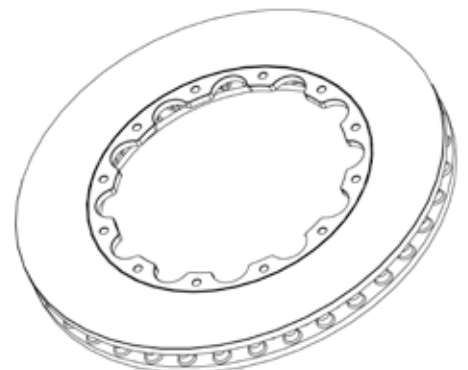
Kangaroo Paw



KANGAROO PAW



**'ROUND' HOLE
DETAIL**

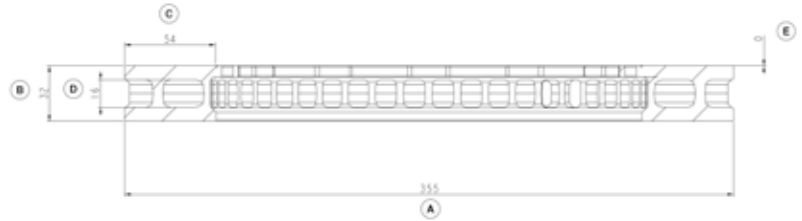


DBA Part Nos.


DBA 52906.1L

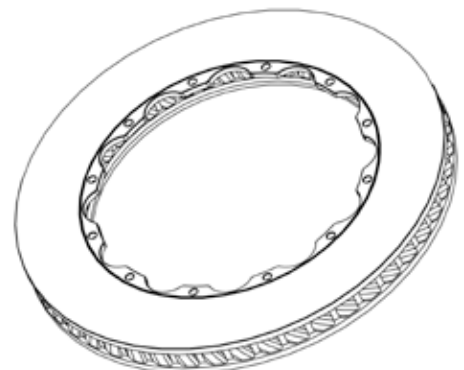
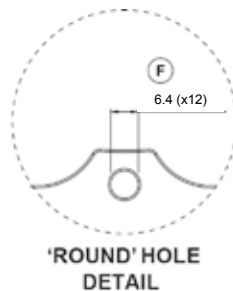
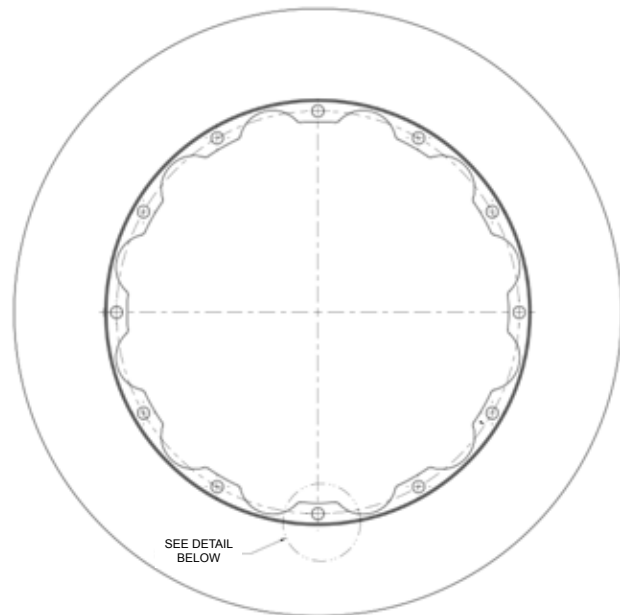
DBA 52906.1R

(Supplied with 1/4" UNF NAS crimp nuts)

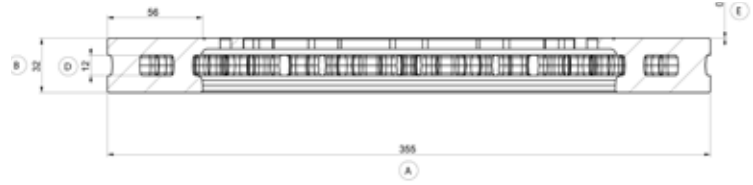


Technical Specifications

A Diameter (mm)	355
B Thickness (mm)	32
C Annulus (mm) (Maximum useable pad width)	54
D Air Gap (mm)	16
E Offset (mm)	0
F Dia. & No. of Bolt holes (mm)	6.4 (x12)
Weight (kg)	7.4
Vent Design	 Curved Vanes

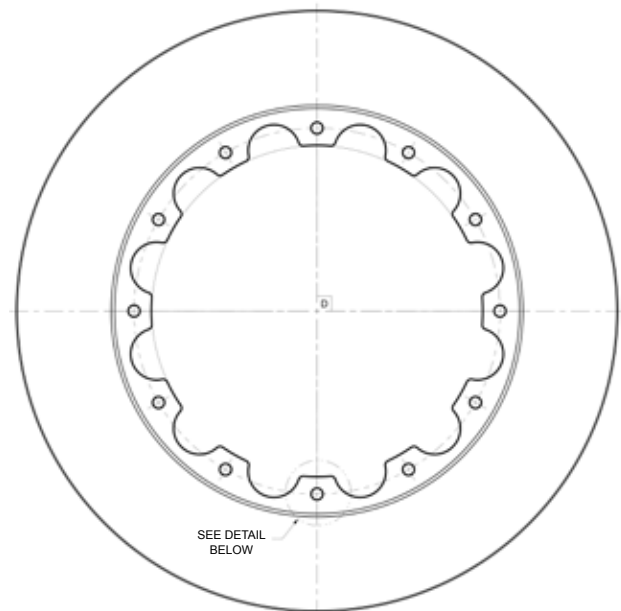


DBA Part No. **DBA 53911.1**



Technical Specifications

A	Diameter (mm)	355
B	Thickness (mm)	32
C	Annulus (mm) (Maximum useable pad width)	56
D	Air Gap (mm)	12
E	Offset (mm)	0
F	Dia. & No. of Bolt holes (mm)	6.4 (x12)
	Weight (kg)	9.09



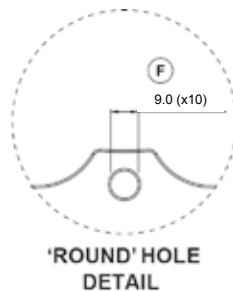
Vent Design



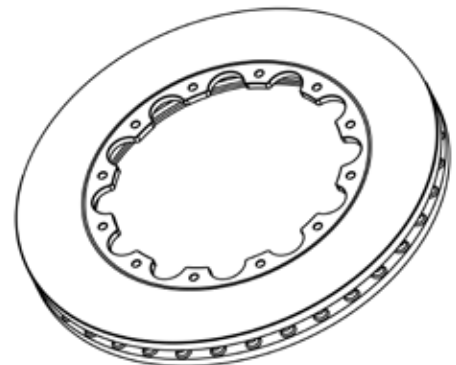
Kangaroo Paw



KANGAROO PAW

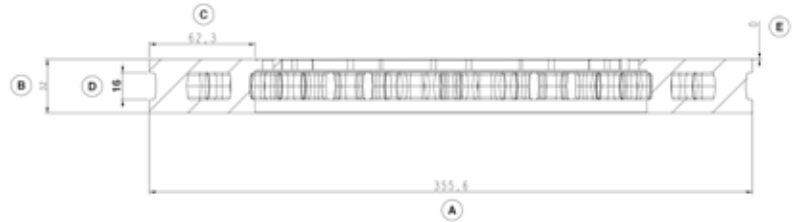


**'ROUND' HOLE
DETAIL**



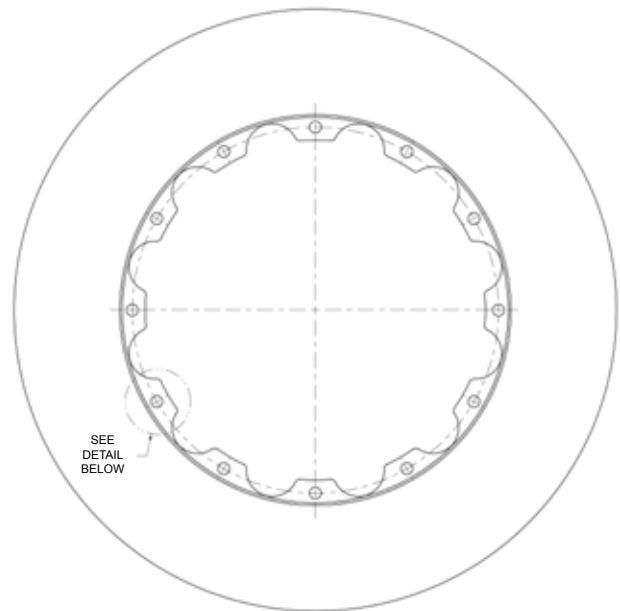
DBA Part No. **DBA 52102.1**

(Supplied with 1/4" UNF NAS crimp nuts)



Technical Specifications

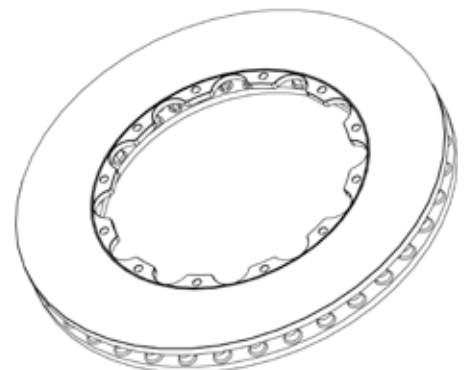
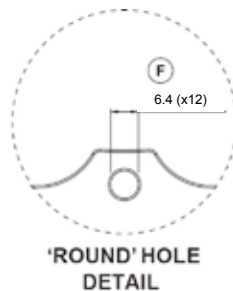
A Diameter (mm)	355.6
B Thickness (mm)	32
C Annulus (mm) (Maximum useable pad width)	62.3
D Air Gap (mm)	16
E Offset (mm)	0
F Dia. & No. of Bolt holes (mm)	6.4 (x12)
Weight (kg)	8.47



Vent Design

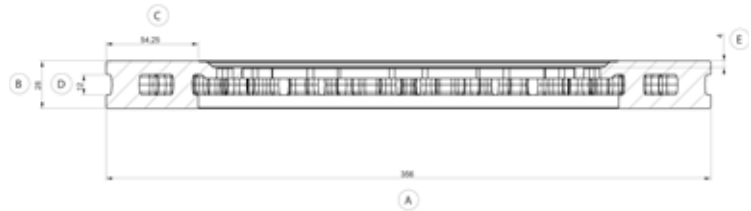


Kangaroo Paw



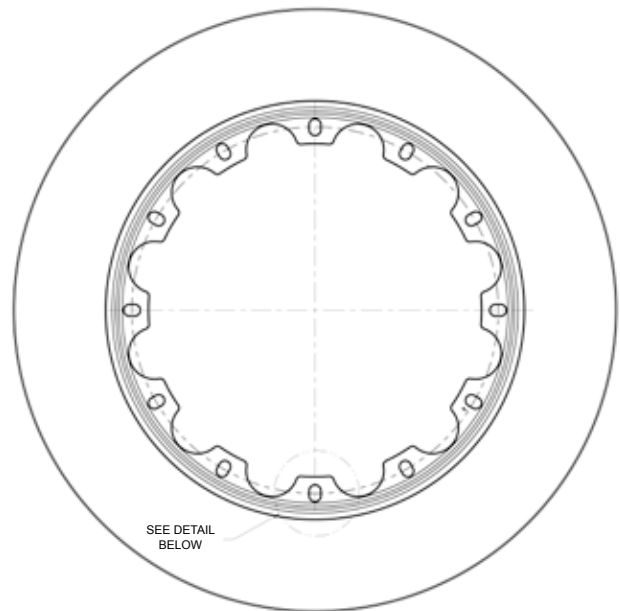
DBA Part No. **DBA 53001.1**

(Supplied with 1/4" UNF NAS crimp nuts)



Technical Specifications

A Diameter (mm)	356
B Thickness (mm)	28
C Annulus (mm) (Maximum useable pad width)	54.25
D Air Gap (mm)	12
E Offset (mm)	4
F Dia. & No. of Bolt holes (mm)	6.4 (x12)
Weight (kg)	9.85



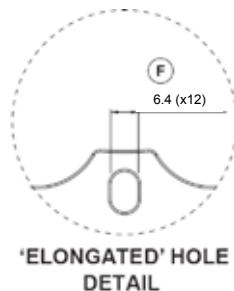
Vent Design



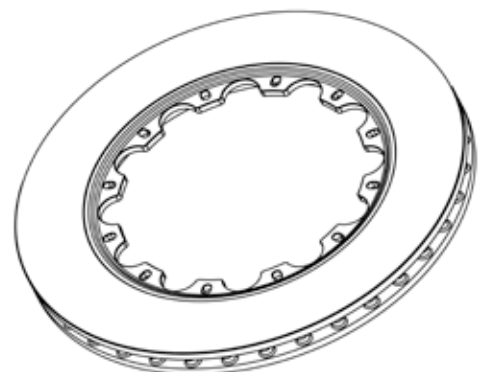
Kangaroo Paw



KANGAROO PAW



**'ELONGATED' HOLE
DETAIL**



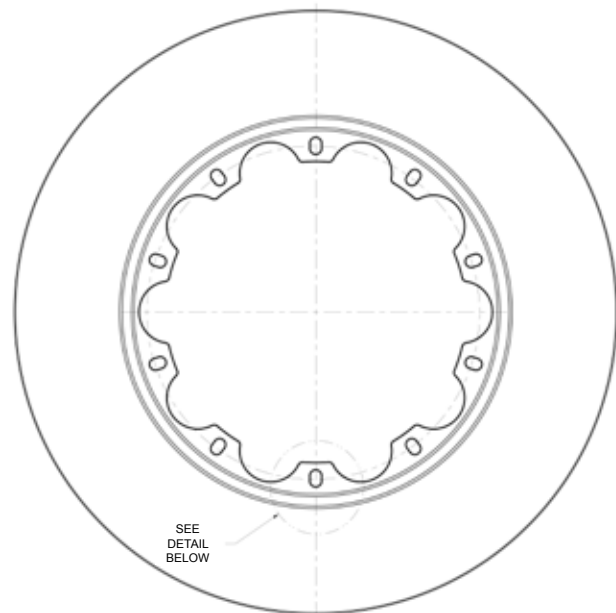
DBA Part No. **DBA 53910.1**

(Supplied with 1/4" UNF NAS crimp nuts)



Technical Specifications

A	Diameter (mm)	356
B	Thickness (mm)	30
C	Annulus (mm) (Maximum useable pad width)	61
D	Air Gap (mm)	12
E	Offset (mm)	-3
F	Dia. & No. of Bolt holes (mm)	6.4 (x10)
	Weight (kg)	9.52



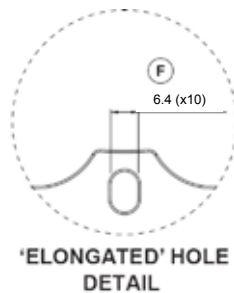
Vent Design



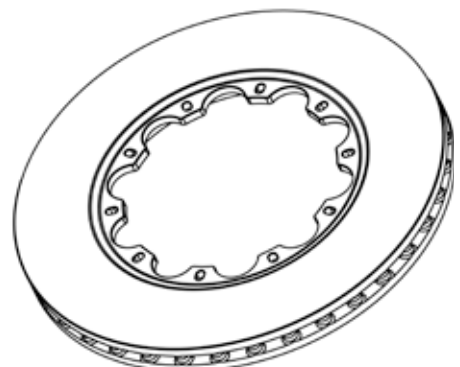
Kangaroo Paw



KANGAROO PAW

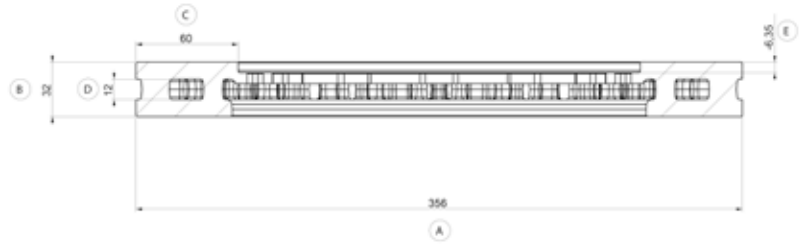


**'ELONGATED' HOLE
DETAIL**



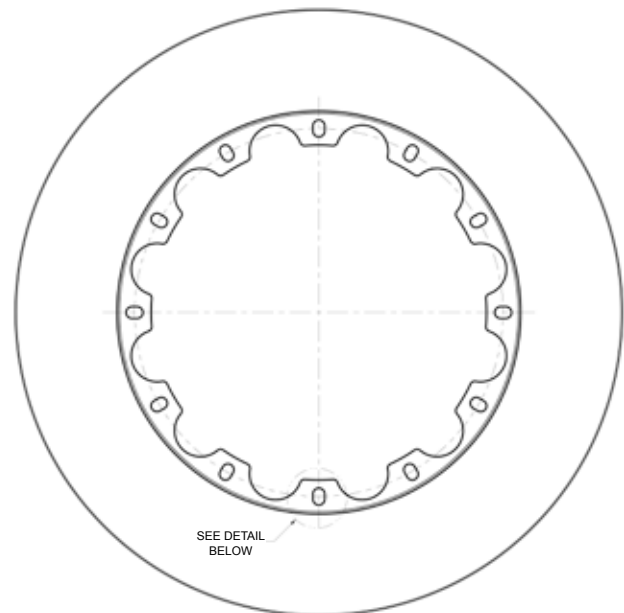
DBA Part No. **DBA 52448.1**

(Supplied with 1/4" UNF NAS crimp nuts)



Technical Specifications

A Diameter (mm)	356
B Thickness (mm)	32
C Annulus (mm) (Maximum useable pad width)	60
D Air Gap (mm)	12
E Offset (mm)	- 6.35
F Dia. & No. of Bolt holes (mm)	6.4 (x12)
Weight (kg)	9.15



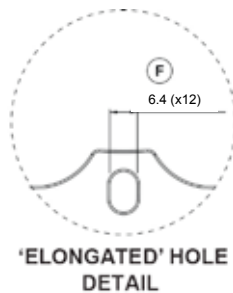
Vent Design



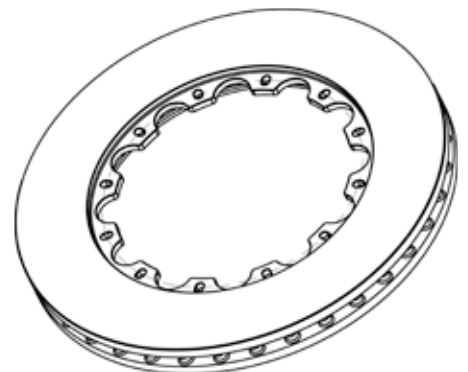
Kangaroo Paw



KANGAROO PAW

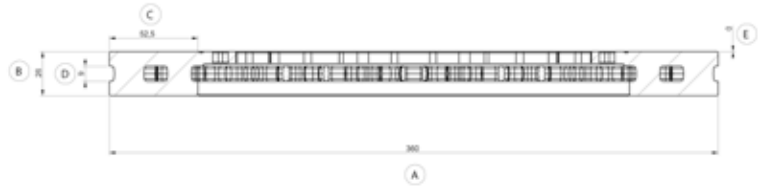


**'ELONGATED' HOLE
DETAIL**



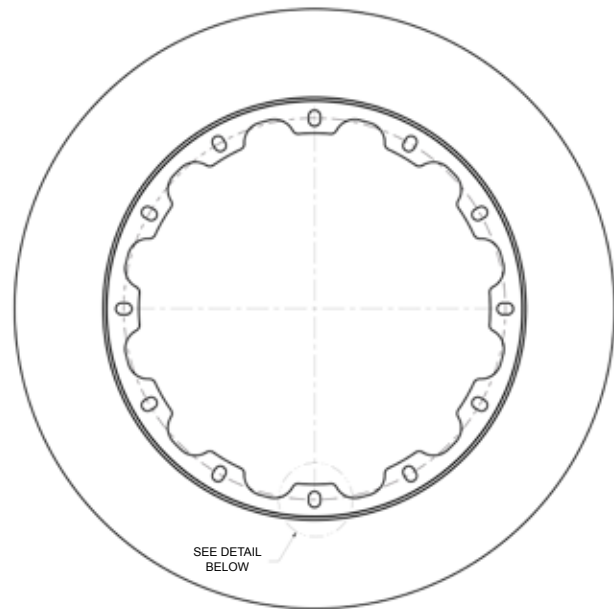
DBA Part No. **DBA 53359.1**

(Supplied with 1/4" UNF NAS crimp nuts)



Technical Specifications

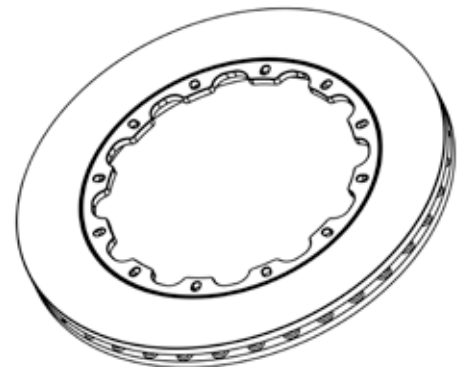
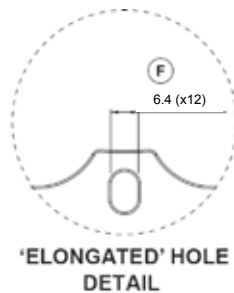
A Diameter (mm)	360
B Thickness (mm)	26
C Annulus (mm) (Maximum useable pad width)	52.59
D Air Gap (mm)	9
E Offset (mm)	0
F Dia. & No. of Bolt holes (mm)	6.4 (x12)
Weight (kg)	7.59



Vent Design

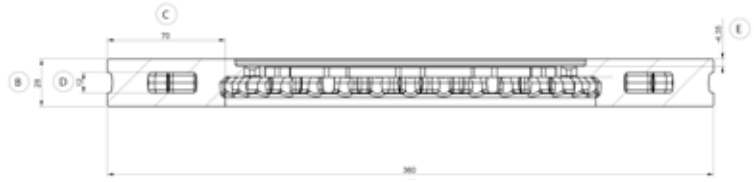


Kangaroo Paw



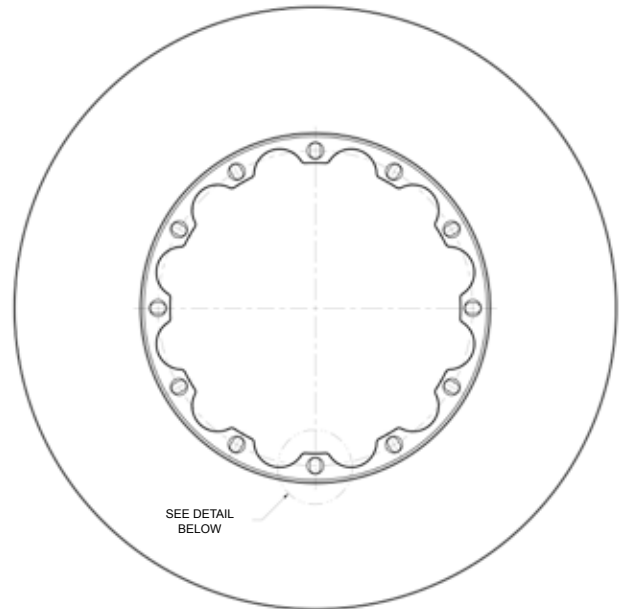
DBA Part No. **DBA 52645.1**

(Supplied with 1/4" UNF NAS crimp nuts)



Technical Specifications

A	Diameter (mm)	360
B	Thickness (mm)	28
C	Annulus (mm) (Maximum useable pad width)	70
D	Air Gap (mm)	12
E	Offset (mm)	- 4.35
F	Dia. & No. of Bolt holes (mm)	6.4 (x12)
	Weight (kg)	9.18



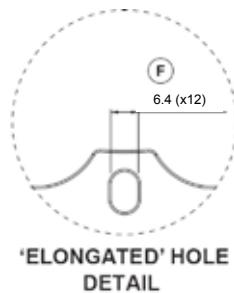
Vent Design



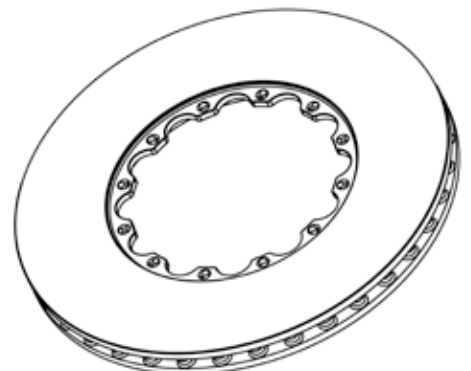
Kangaroo Paw



KANGAROO PAW

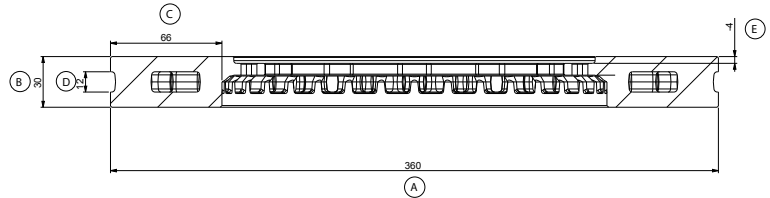


**'ELONGATED' HOLE
DETAIL**



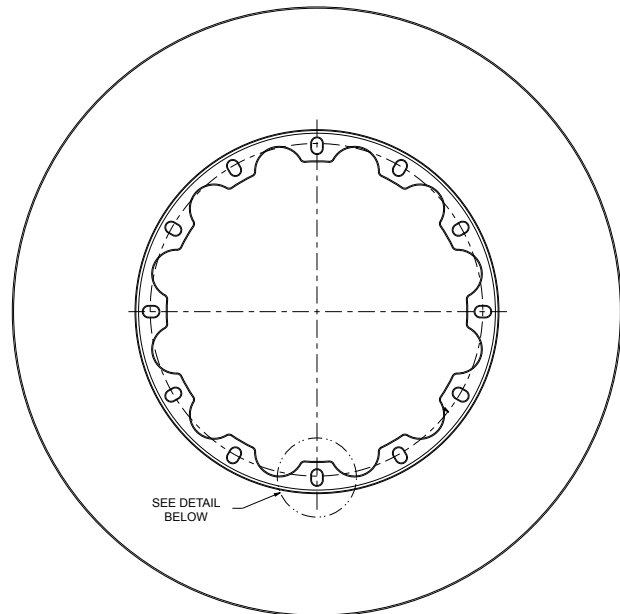
DBA Part No. **DBA 52280.1**

(Supplied with 1/4" UNF NAS crimp nuts)



Technical Specifications

A	Diameter (mm)	360
B	Thickness (mm)	30
C	Annulus (mm) (Maximum useable pad width)	66
D	Air Gap (mm)	12
E	Offset (mm)	- 4
F	Dia. & No. of Bolt holes (mm)	6.4 (x12)
	Weight (kg)	9.85



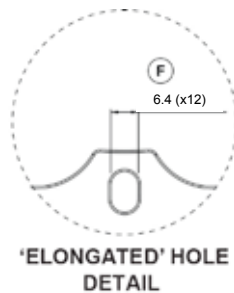
Vent Design



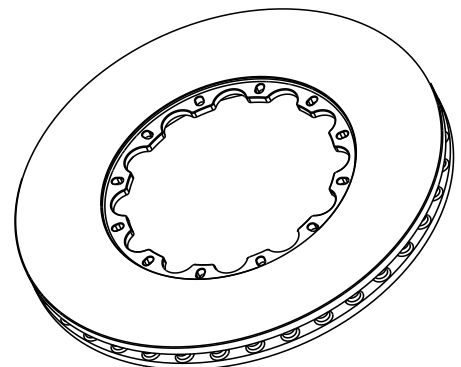
Kangaroo Paw



KANGAROO PAW

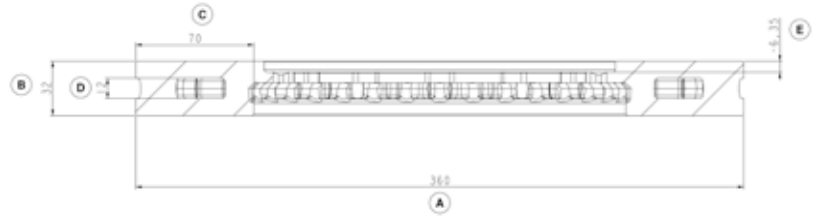


**'ELONGATED' HOLE
DETAIL**



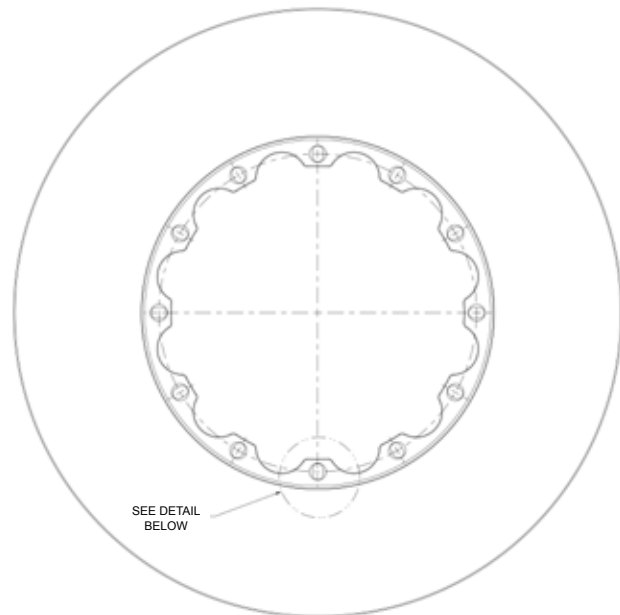
DBA Part No. **DBA 52804.1**

(Supplied with 1/4" UNF NAS crimp nuts)



Technical Specifications

A	Diameter (mm)	360
B	Thickness (mm)	32
C	Annulus (mm) (Maximum useable pad width)	70
D	Air Gap (mm)	12
E	Offset (mm)	- 6.35
F	Dia. & No. of Bolt holes (mm)	6.4 (x12)
	Weight (kg)	11.15



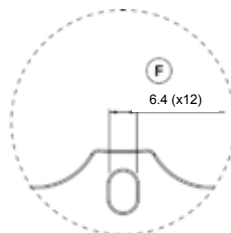
Vent Design



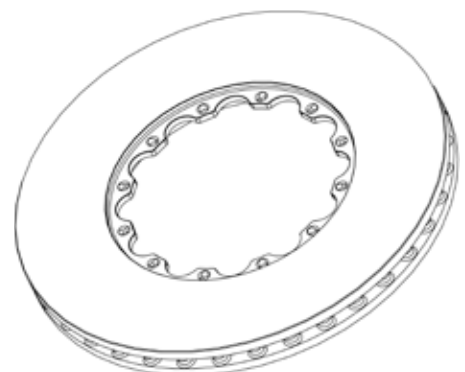
Kangaroo Paw



KANGAROO PAW

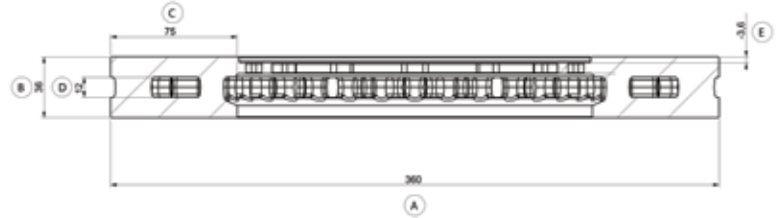


**'ELONGATED' HOLE
DETAIL**



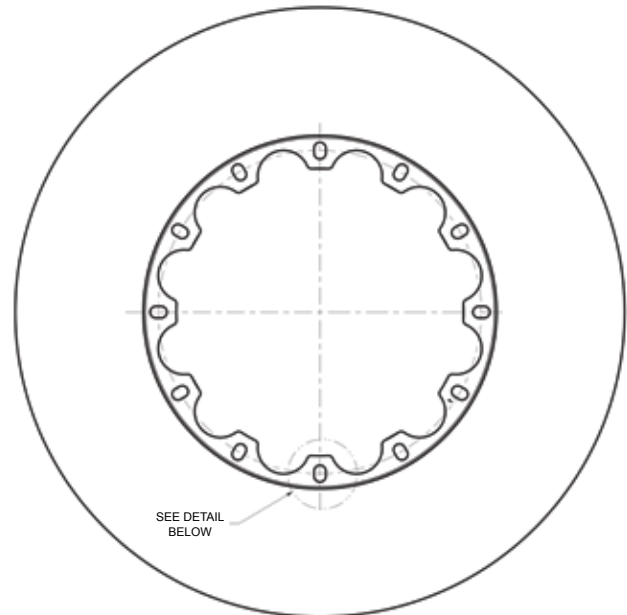
DBA Part No. **DBA 52592.1**

(Supplied with 1/4" UNF NAS crimp nuts)



Technical Specifications

A	Diameter (mm)	360
B	Thickness (mm)	36
C	Annulus (mm) (Maximum useable pad width)	75
D	Air Gap (mm)	12
E	Offset (mm)	+ 3.6
F	Dia. & No. of Bolt holes (mm)	6.4 (x12)
	Weight (kg)	13.11



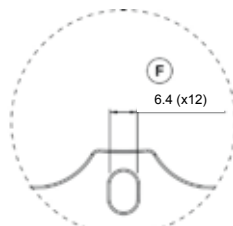
Vent Design



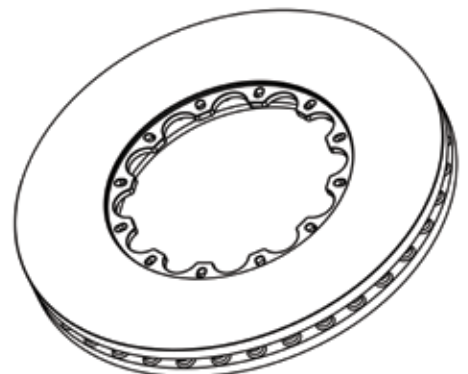
Kangaroo Paw



KANGAROO PAW

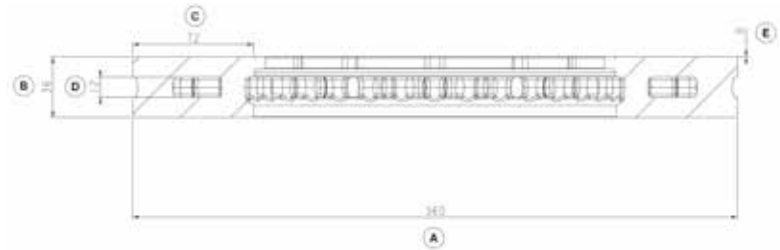


**'ELONGATED' HOLE
DETAIL**



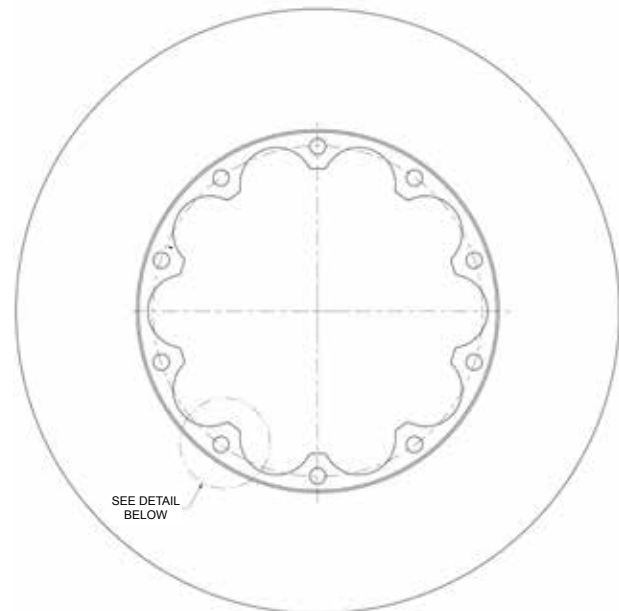
DBA Part No. **DBA 52690.1**

(Supplied with metric 6mm crimp nuts)



Technical Specifications

A	Diameter (mm)	360
B	Thickness (mm)	36
C	Annulus (mm) (Maximum useable pad width)	72
D	Air Gap (mm)	12
E	Offset (mm)	0
F	Dia. & No. of Bolt holes (mm)	9 (x10)
	Weight (kg)	11.1



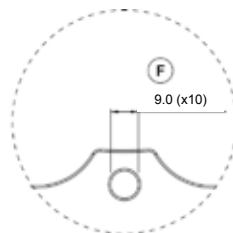
Vent Design



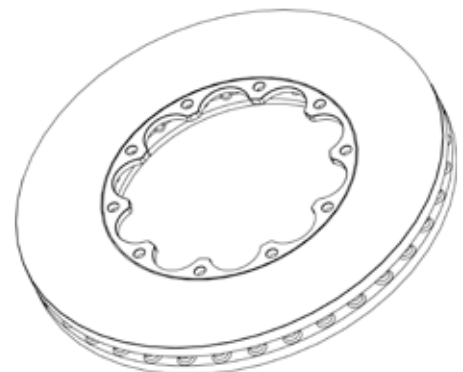
Kangaroo Paw



KANGAROO PAW

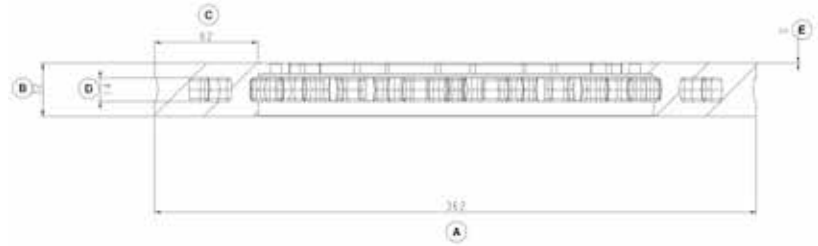


'ROUND' HOLE DETAIL



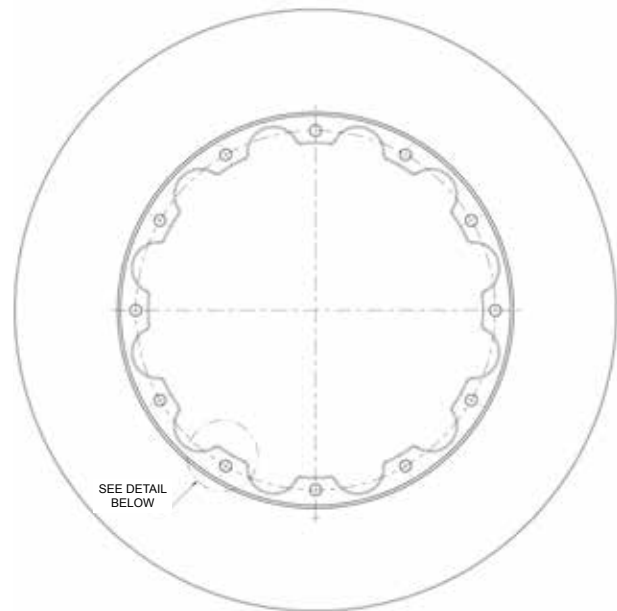
DBA Part No. **DBA 52024.1**

(Supplied with 1/4" UNF NAS crimp nuts)



Technical Specifications

A Diameter (mm)	362
B Thickness (mm)	32
C Annulus (mm) (Maximum useable pad width)	62
D Air Gap (mm)	14
E Offset (mm)	0
F Dia. & No. of Bolt holes (mm)	6.4 (x12)
Weight (kg)	9.41



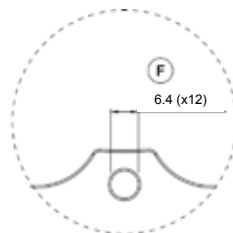
Vent Design



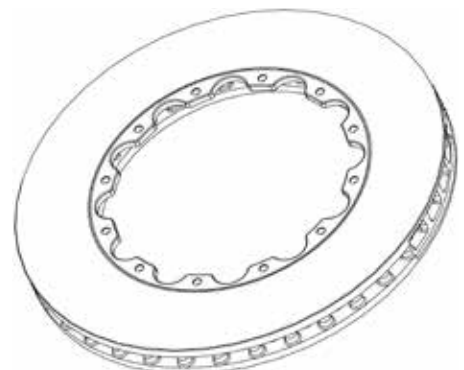
Kangaroo Paw



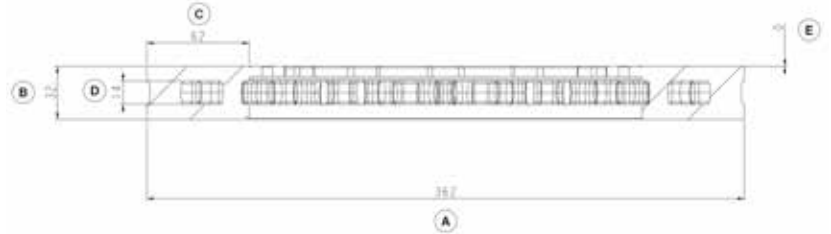
KANGAROO PAW



'ROUND' HOLE
DETAIL

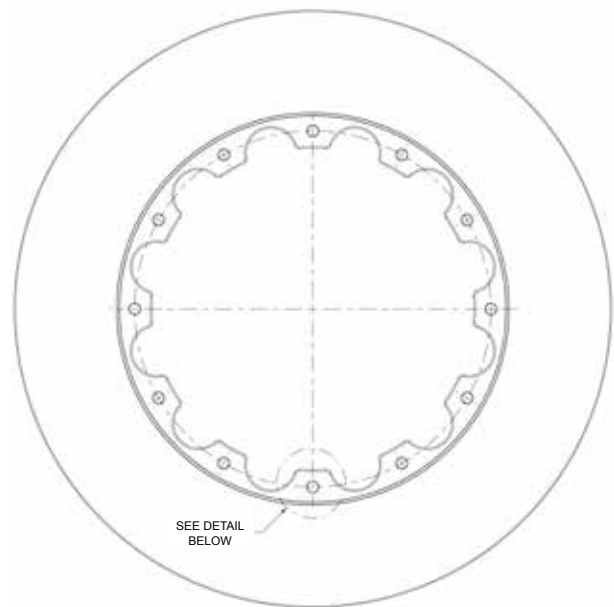


DBA Part No. **DBA 52037.1**



Technical Specifications

A Diameter (mm)	362
B Thickness (mm)	32
C Annulus (mm) (Maximum useable pad width)	62
D Air Gap (mm)	14
E Offset (mm)	0
F Dia. & No. of Bolt holes (mm)	6.4 (x12)
Weight (kg)	9.44



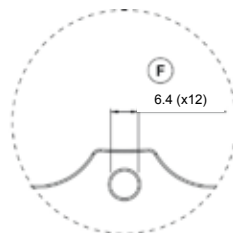
Vent Design



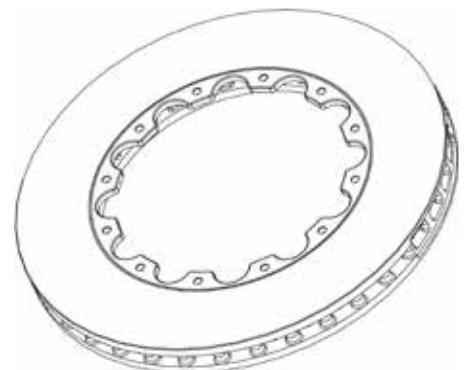
Kangaroo Paw



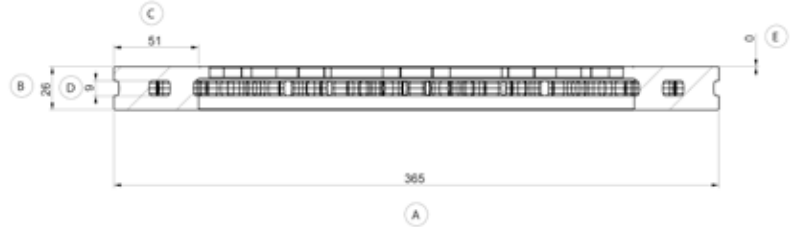
KANGAROO PAW



**'ROUND' HOLE
DETAIL**

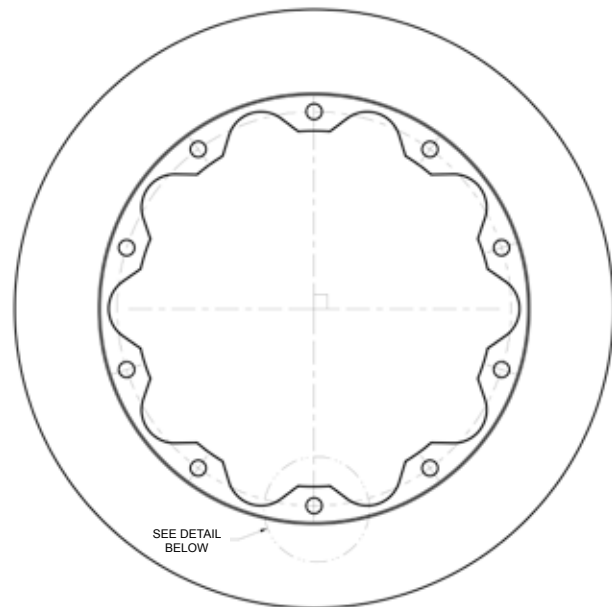


DBA Part No. **DBA 52771.1**



Technical Specifications

A Diameter (mm)	365
B Thickness (mm)	26
C Annulus (mm) (Maximum useable pad width)	51
D Air Gap (mm)	9
E Offset (mm)	0
F Dia. & No. of Bolt holes (mm)	9 (x10)
Weight (kg)	7.5



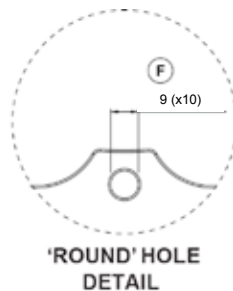
Vent Design



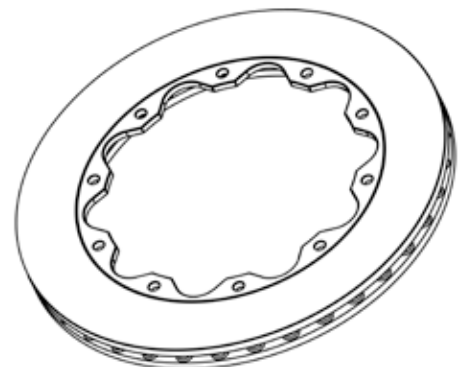
Kangaroo Paw



KANGAROO PAW

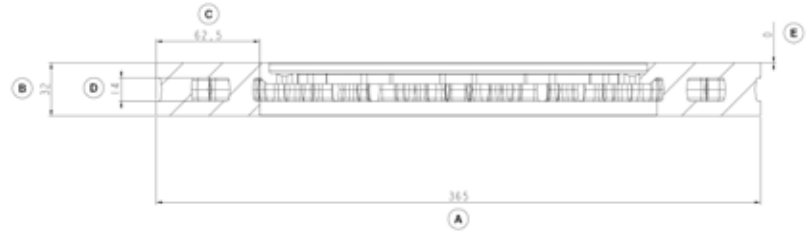


'ROUND' HOLE DETAIL



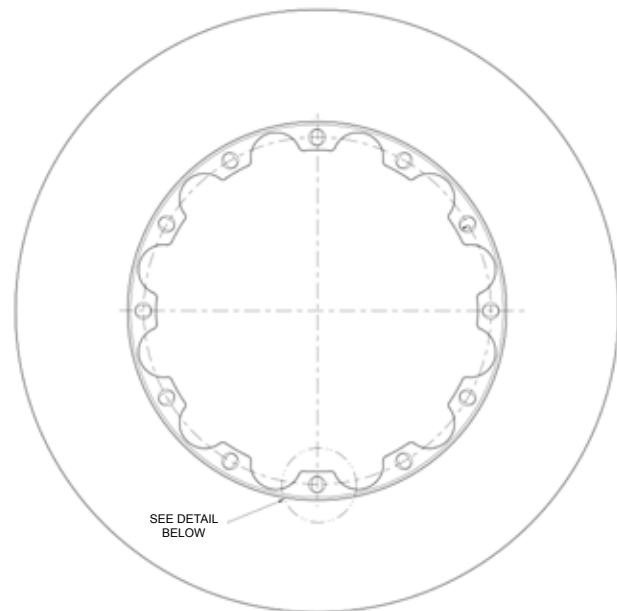
DBA Part No. **DBA 52030.1**

(Supplied with 1/4" UNF NAS crimp nuts)



Technical Specifications

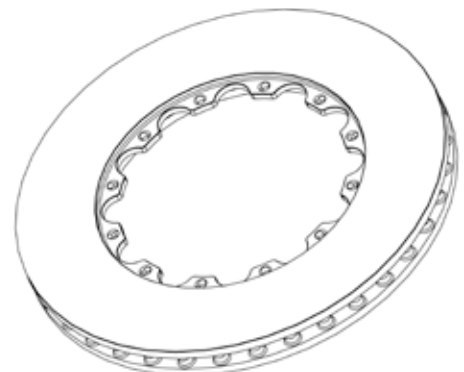
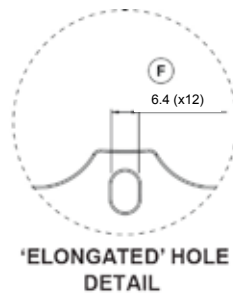
A	Diameter (mm)	365
B	Thickness (mm)	32
C	Annulus (mm) (Maximum useable pad width)	62.5
D	Air Gap (mm)	14
E	Offset (mm)	-6.35
F	Dia. & No. of Bolt holes (mm)	6.4 (x12)
	Weight (kg)	9.77



Vent Design

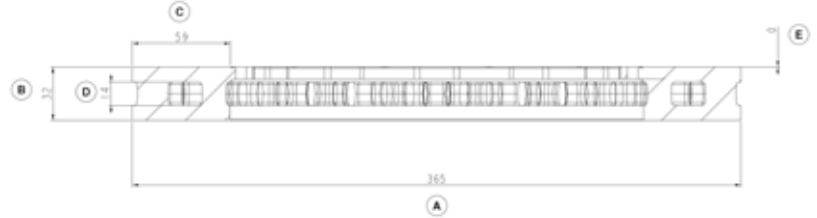


Kangaroo Paw



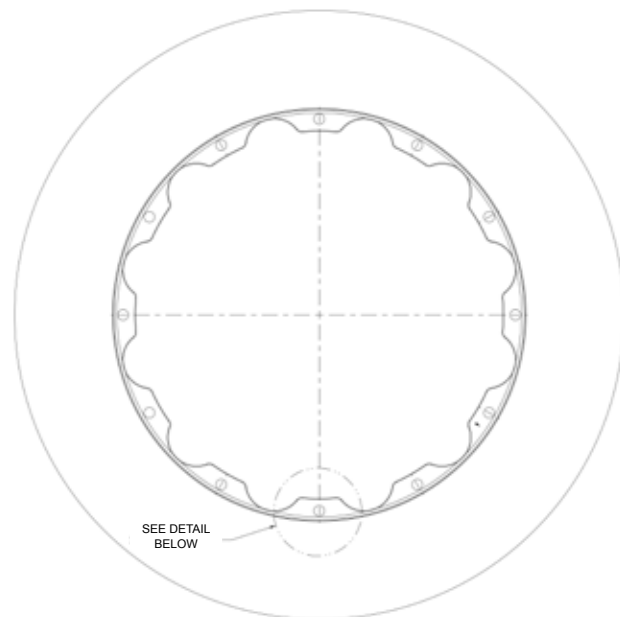
DBA Part No. **DBA 52943.1**

(Supplied with 1/4" UNF NAS crimp nuts)



Technical Specifications

A	Diameter (mm)	365
B	Thickness (mm)	32
C	Annulus (mm) (Maximum useable pad width)	59
D	Air Gap (mm)	14
E	Offset (mm)	0
F	Dia. & No. of Bolt holes (mm)	6.4 (x12)
	Weight (kg)	9.08



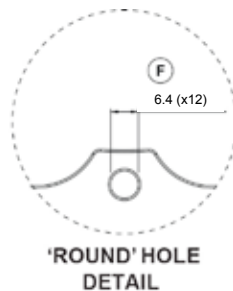
Vent Design



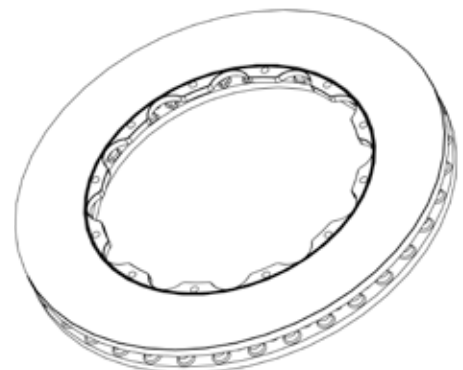
Kangaroo Paw



KANGAROO PAW

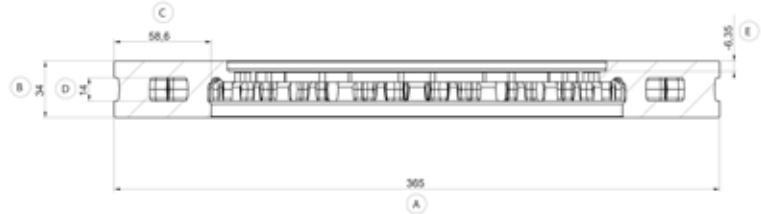


**'ROUND' HOLE
DETAIL**



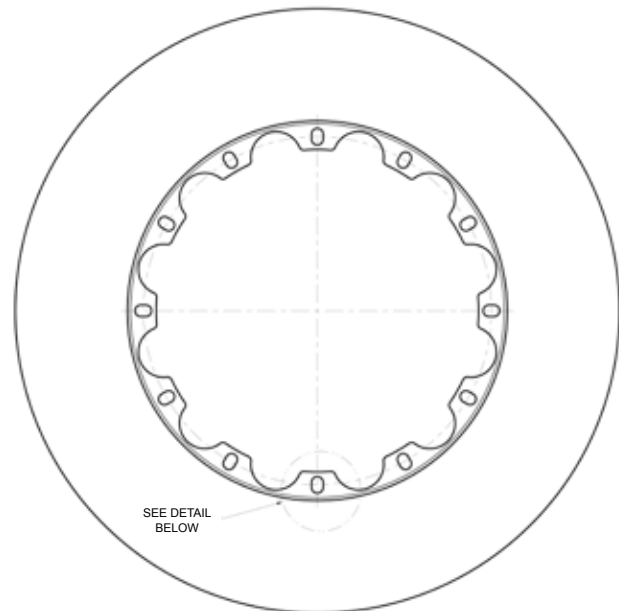
DBA Part No. **DBA 52834.1**

(Supplied with 1/4" UNF NAS crimp nuts)



Technical Specifications

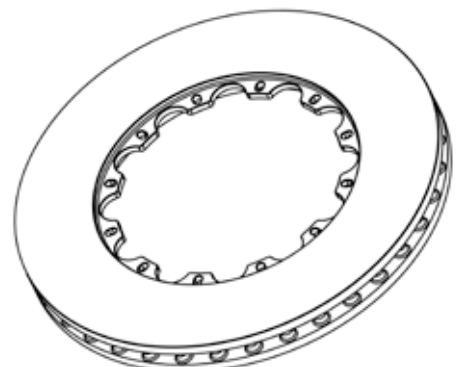
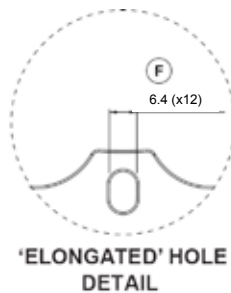
A	Diameter (mm)	365
B	Thickness (mm)	34
C	Annulus (mm) (Maximum useable pad width)	58.6
D	Air Gap (mm)	14
E	Offset (mm)	- 6.35
F	Dia. & No. of Bolt holes (mm)	6.4 (x12)
	Weight (kg)	9.92



Vent Design



Kangaroo Paw



DBA Part No. **DBA 52834.1W**

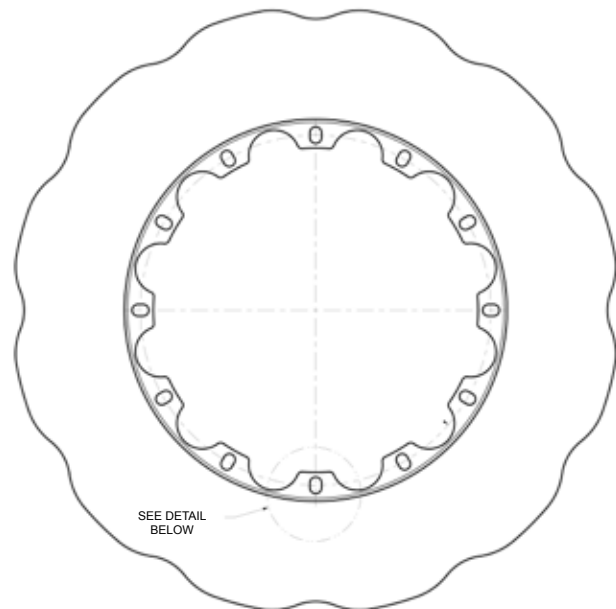
(Supplied with 1/4" UNF NAS crimp nuts)

Note: Wave Design disks are not to be used for any form of MotorSport



Technical Specifications

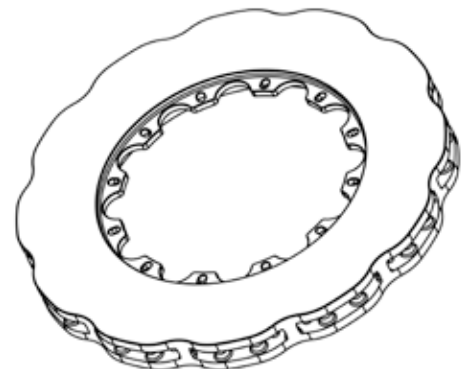
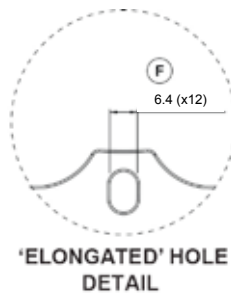
A Diameter (mm)	365
B Thickness (mm)	34
C Annulus (mm) (Maximum useable pad width)	58.6
D Air Gap (mm)	14
E Offset (mm)	- 6.35
F Dia. & No. of Bolt holes (mm)	6.4 (x12)
Weight (kg)	9.92



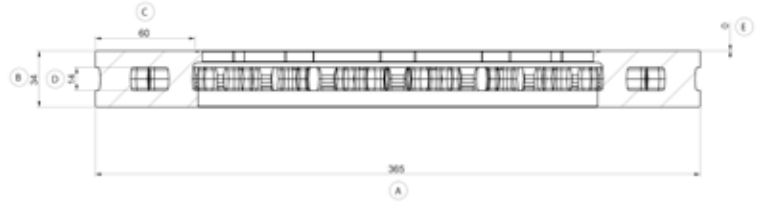
Vent Design



Kangaroo Paw

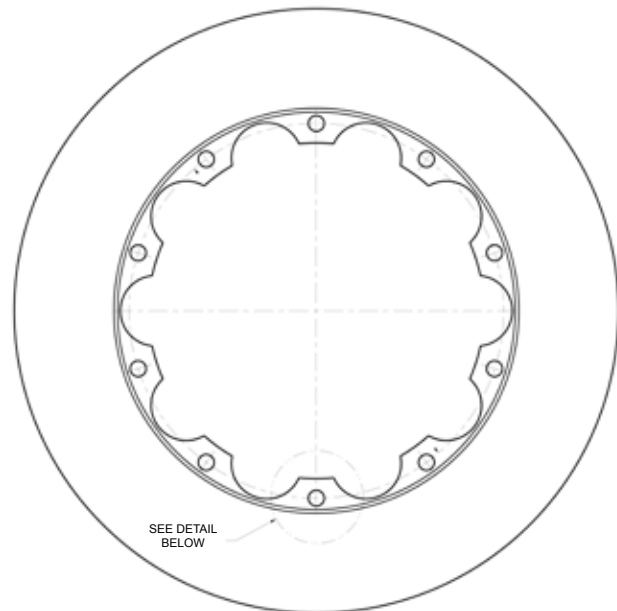


DBA Part No. **DBA 52838.1**



Technical Specifications

A Diameter (mm)	365
B Thickness (mm)	34
C Annulus (mm) (Maximum useable pad width)	60
D Air Gap (mm)	14
E Offset (mm)	0
F Dia. & No. of Bolt holes (mm)	9 (x10)
Weight (kg)	10.24



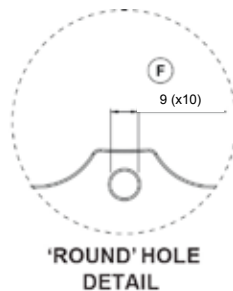
Vent Design



Kangaroo Paw



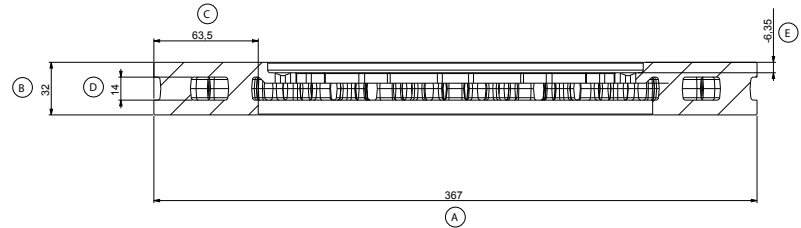
KANGAROO PAW



**'ROUND' HOLE
DETAIL**

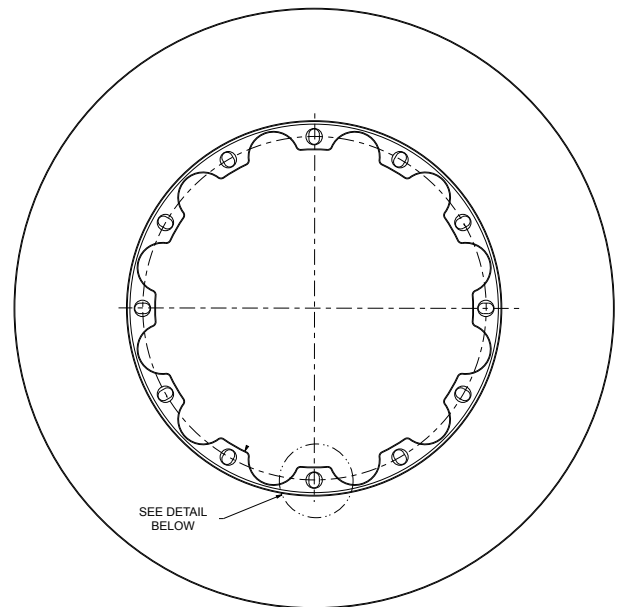


DBA Part No. **DBA 52066.1**



Technical Specifications

A Diameter (mm)	367
B Thickness (mm)	32
C Annulus (mm) (Maximum useable pad width)	63.5
D Air Gap (mm)	14
E Offset (mm)	- 6.35
F Dia. & No. of Bolt holes (mm)	6.4 (x12)
Weight (kg)	9.91



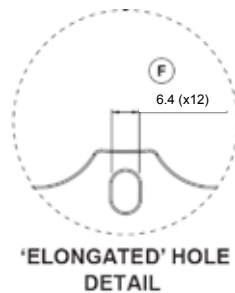
Vent Design



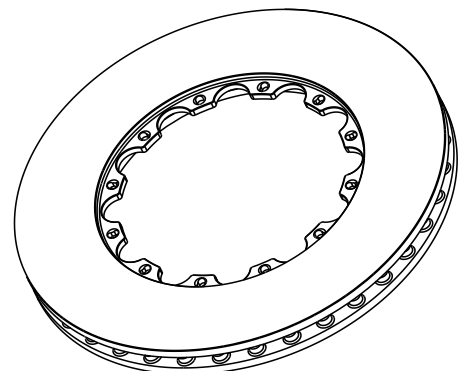
Kangaroo Paw



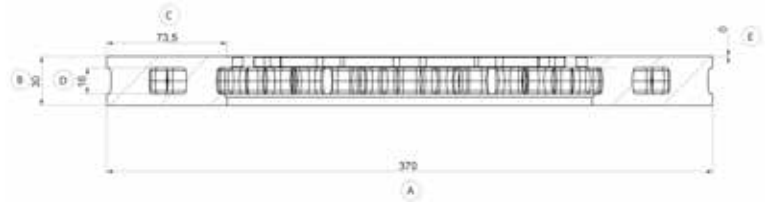
KANGAROO PAW



**'ELONGATED' HOLE
DETAIL**

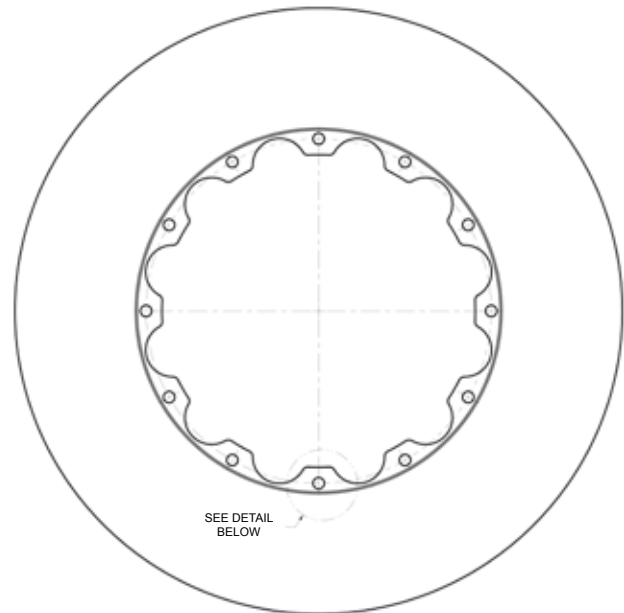


DBA Part No. **DBA 52286.1**



Technical Specifications

A Diameter (mm)	370
B Thickness (mm)	30
C Annulus (mm) (Maximum useable pad width)	73.5
D Air Gap (mm)	16
E Offset (mm)	0
F Dia. & No. of Bolt holes (mm)	6.4 (x12)
Weight (kg)	9.59



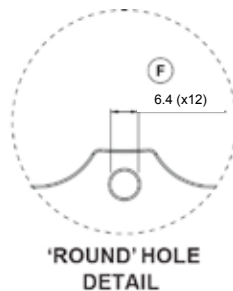
Vent Design



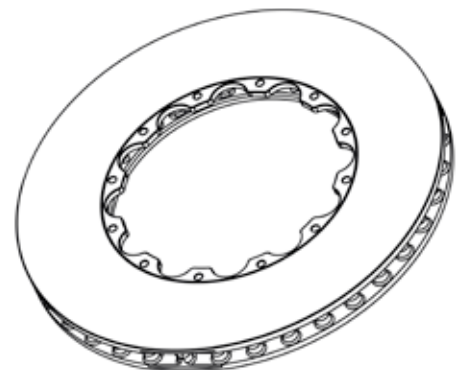
Kangaroo Paw



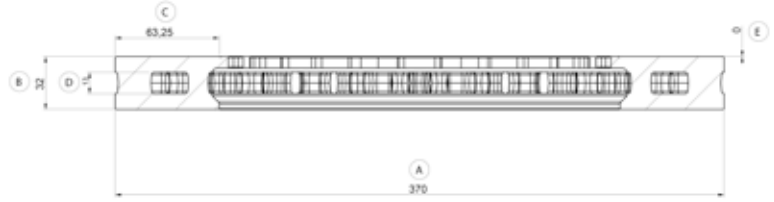
KANGAROO PAW



'ROUND' HOLE DETAIL

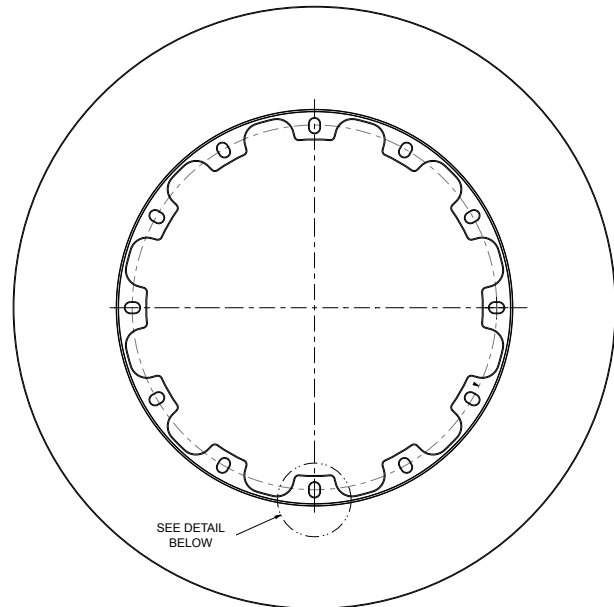


DBA Part No. **DBA 52842.1**



Technical Specifications

A	Diameter (mm)	370
B	Thickness (mm)	32
C	Annulus (mm) (Maximum useable pad width)	63.25
D	Air Gap (mm)	13
E	Offset (mm)	0
F	Dia. & No. of Bolt holes (mm)	6.4 (x12)
	Weight (kg)	10.8



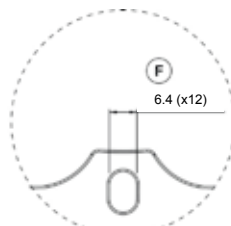
Vent Design



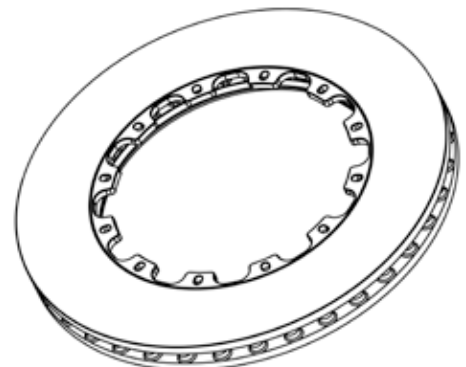
Kangaroo Paw



KANGAROO PAW

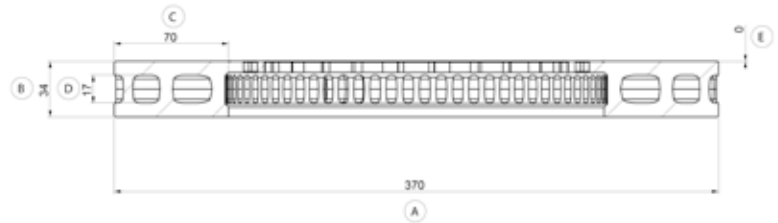


**'ELONGATED' HOLE
DETAIL**



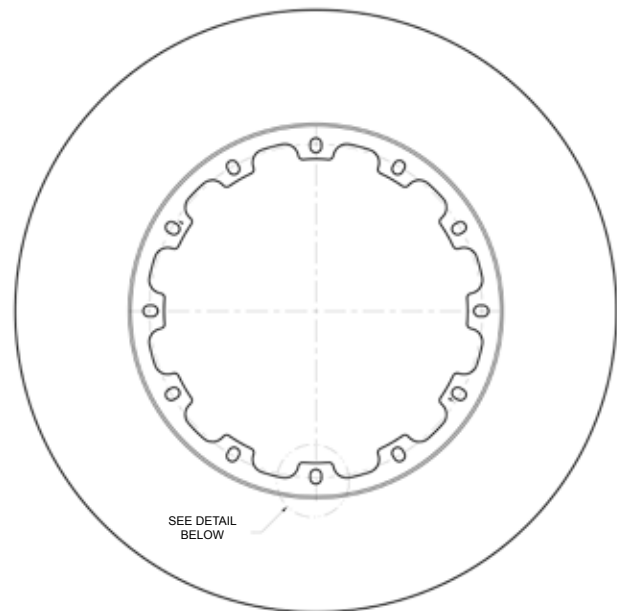
DBA Part Nos.
DBA 52608.1L
DBA 52608.1R

(Supplied with 1/4" UNF NAS crimp nuts)



Technical Specifications

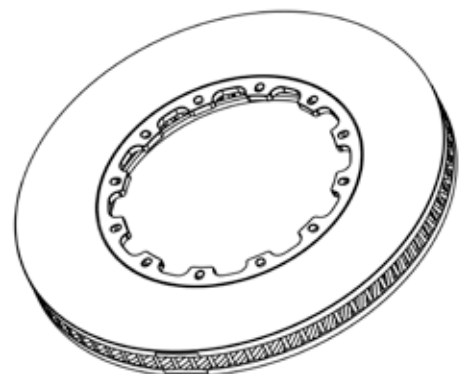
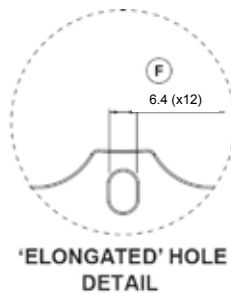
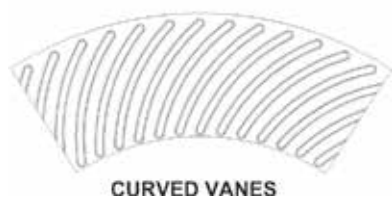
A	Diameter (mm)	370
B	Thickness (mm)	34
C	Annulus (mm) (Maximum useable pad width)	70
D	Air Gap (mm)	17
E	Offset (mm)	0
F	Dia. & No. of Bolt holes (mm)	6.4 (x12)
	Weight (kg)	11.2



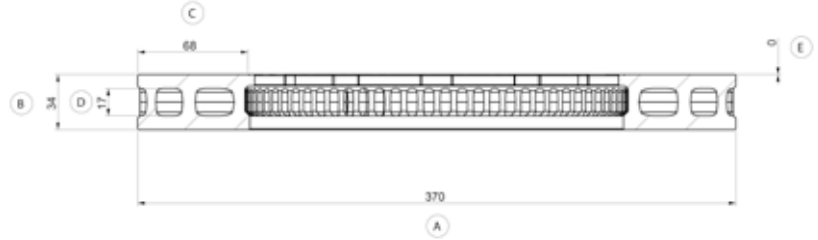
Vent Design




Curved Vane

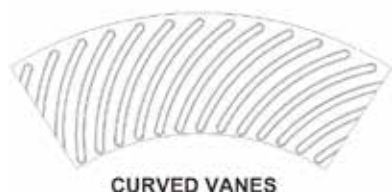
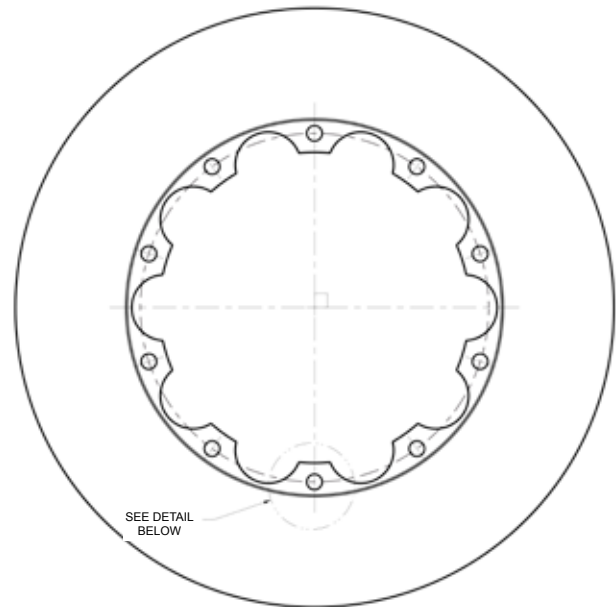


DBA Part Nos.
DBA 52770.1L
DBA 52770.1R

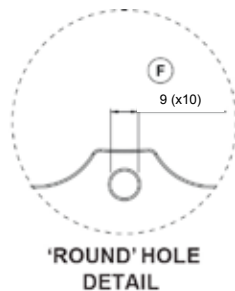


Technical Specifications

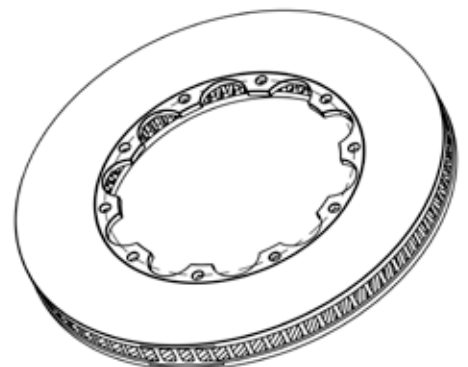
A	Diameter (mm)	370
B	Thickness (mm)	34
C	Annulus (mm) (Maximum useable pad width)	68
D	Air Gap (mm)	17
E	Offset (mm)	0
F	Dia. & No. of Bolt holes (mm)	9 (x10)
	Weight (kg)	10.9
	Vent Design	 Curved Vanes



CURVED VANES

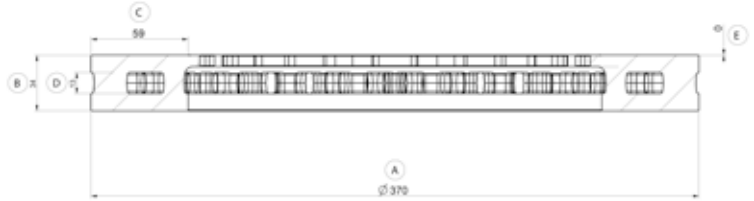


**'ROUND' HOLE
DETAIL**



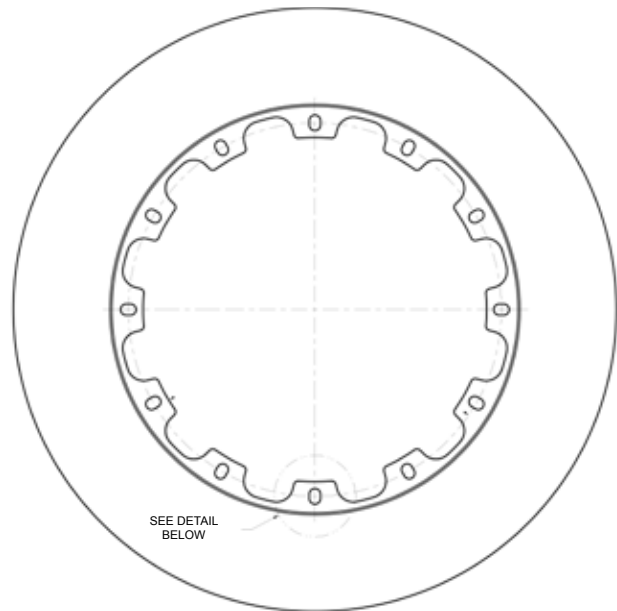
DBA Part No. **DBA 52844.1**

(Supplied with 1/4" UNF NAS crimp nuts)



Technical Specifications

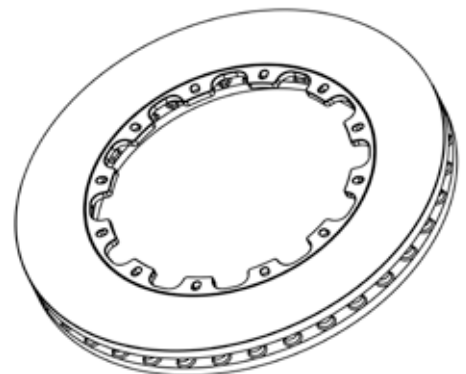
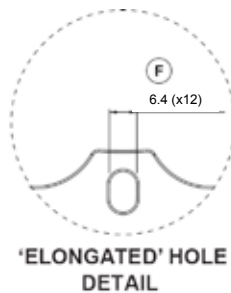
A	Diameter (mm)	370
B	Thickness (mm)	34
C	Annulus (mm) (Maximum useable pad width)	59
D	Air Gap (mm)	13
E	Offset (mm)	0
F	Dia. & No. of Bolt holes (mm)	6.4 (x12)
	Weight (kg)	10.6



Vent Design



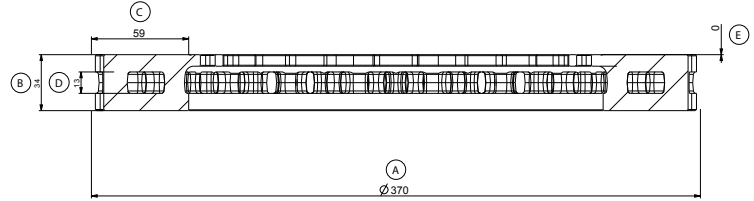
Kangaroo Paw



DBA Part No. **DBA 52844.1W**

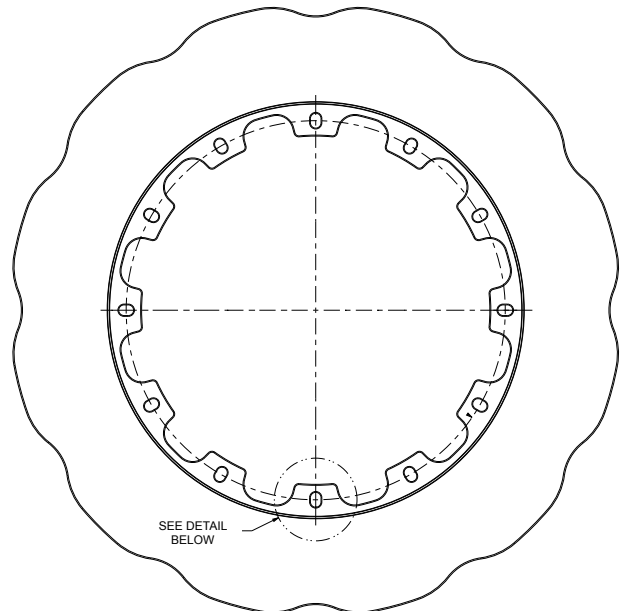
(Supplied with 1/4" UNF NAS crimp nuts)

Note: Wave Design disks are not to be used for any form of MotorSport



Technical Specifications

A Diameter (mm)	370
B Thickness (mm)	34
C Annulus (mm) (Maximum useable pad width)	59
D Air Gap (mm)	13
E Offset (mm)	0
F Dia. & No. of Bolt holes (mm)	6.4 (x12)
Weight (kg)	10.15



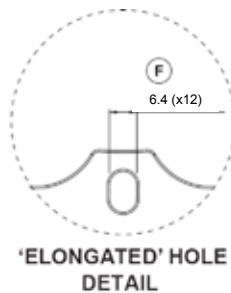
Vent Design



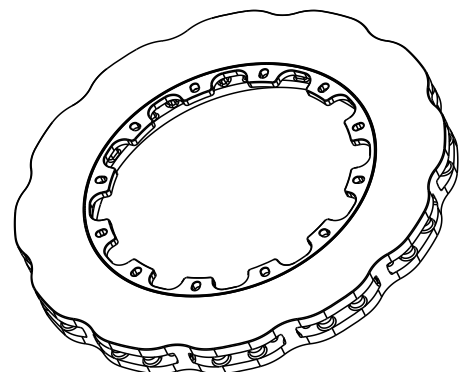
Kangaroo Paw



KANGAROO PAW



**'ELONGATED' HOLE
DETAIL**

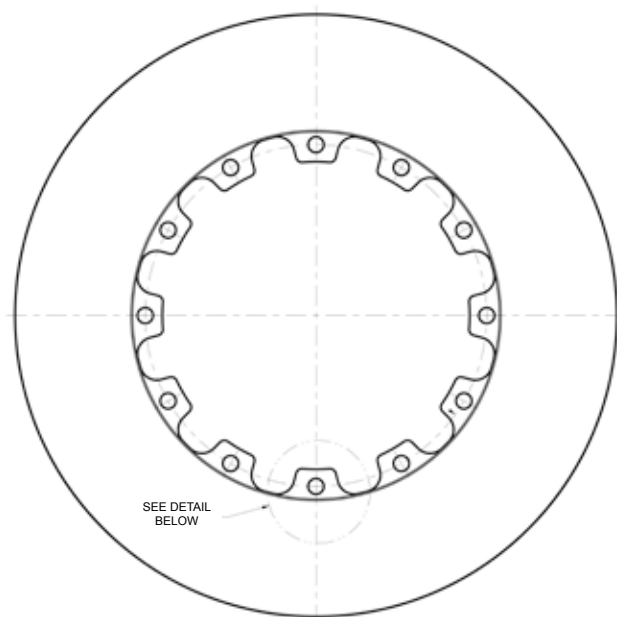


DBA Part No. **DBA 52936.1**



Technical Specifications

A Diameter (mm)	370
B Thickness (mm)	36
C Annulus (mm) (Maximum useable pad width)	71.5
D Air Gap (mm)	16
E Offset (mm)	0
F Dia. & No. of Bolt holes (mm)	9 (x12)
Weight (kg)	12.28



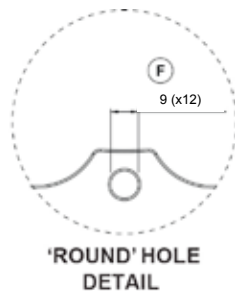
Vent Design



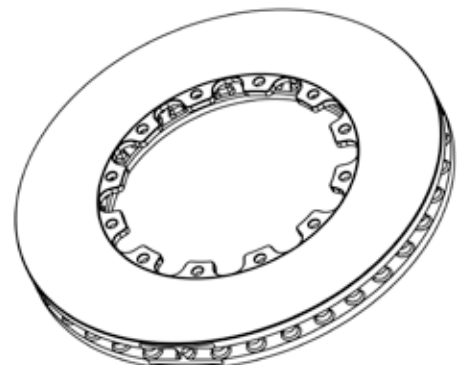
Kangaroo Paw



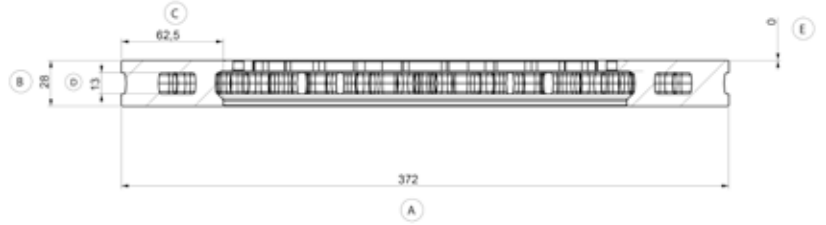
KANGAROO PAW



**'ROUND' HOLE
DETAIL**

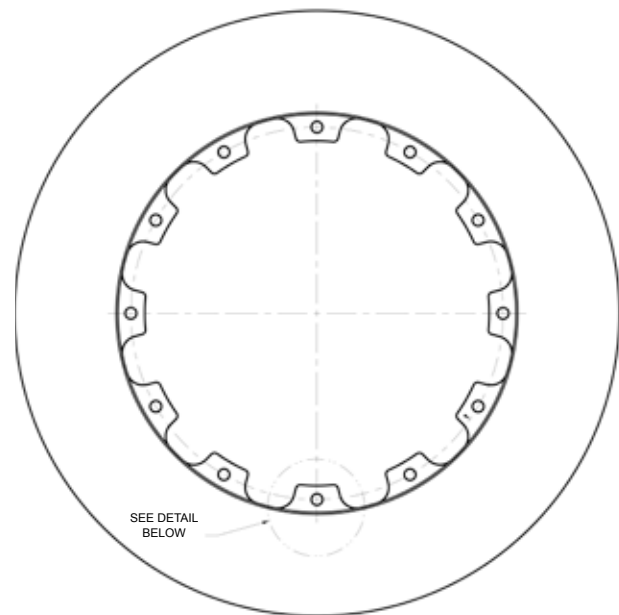


DBA Part No. **DBA 52069.1**



Technical Specifications

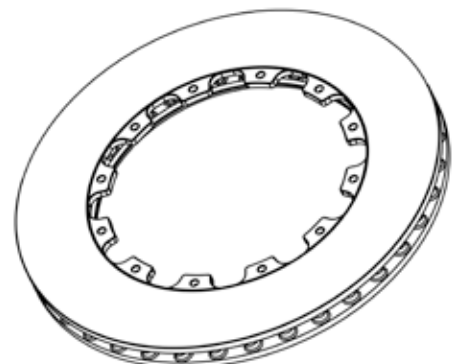
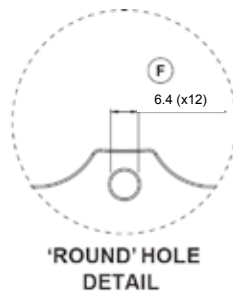
A	Diameter (mm)	372
B	Thickness (mm)	28
C	Annulus (mm) (Maximum useable pad width)	62.5
D	Air Gap (mm)	13
E	Offset (mm)	0
F	Dia. & No. of Bolt holes (mm)	6.4 (x12)
	Weight (kg)	8.2



Vent Design



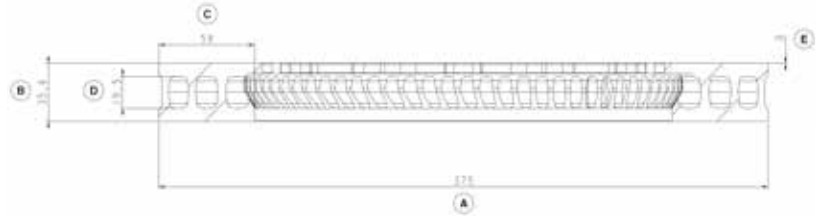
Kangaroo Paw



DBA Part Nos.

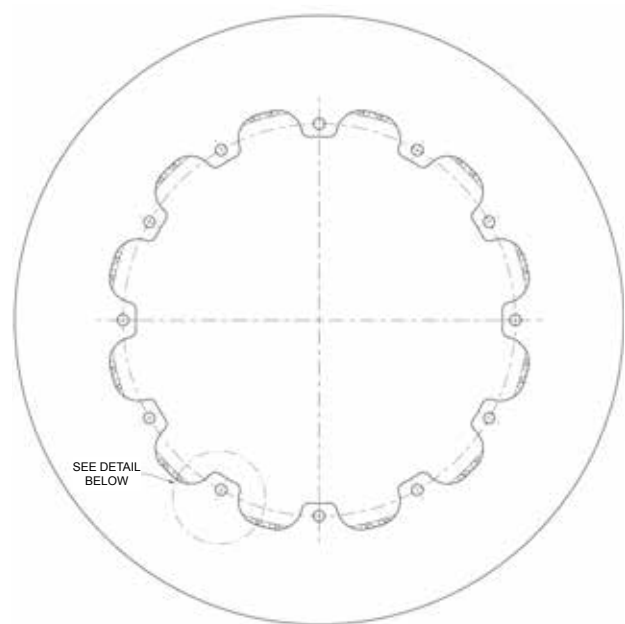
DBA 92190.1L

DBA 92190.1R



Technical Specifications

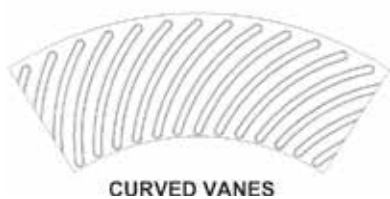
A Diameter (mm)	375
B Thickness (mm)	35.6
C Annulus (mm) (Maximum useable pad width)	59
D Air Gap (mm)	19.5
E Offset (mm)	0
F Dia. & No. of Bolt holes (mm)	6.4 (x12)
Weight (kg)	9.26



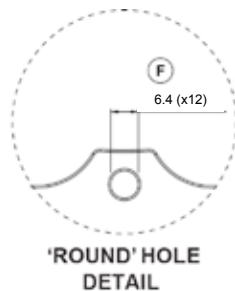
Vent Design



Curved Vanes



CURVED VANES



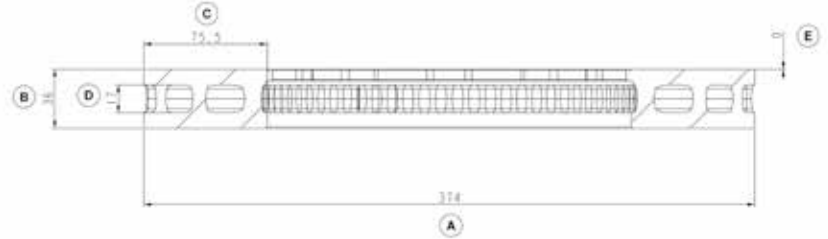
**'ROUND' HOLE
DETAIL**




DBA Part Nos.

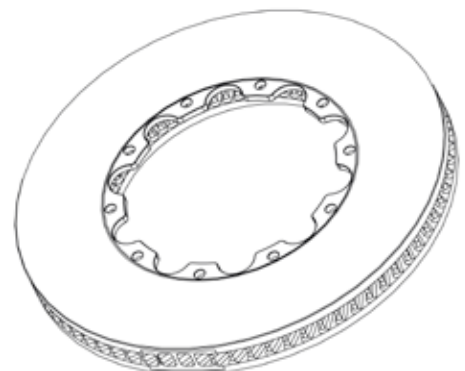
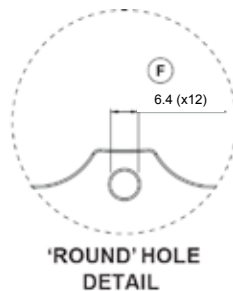
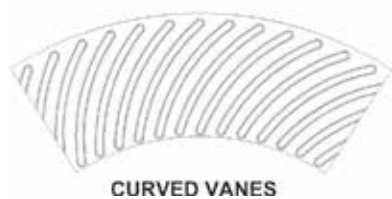
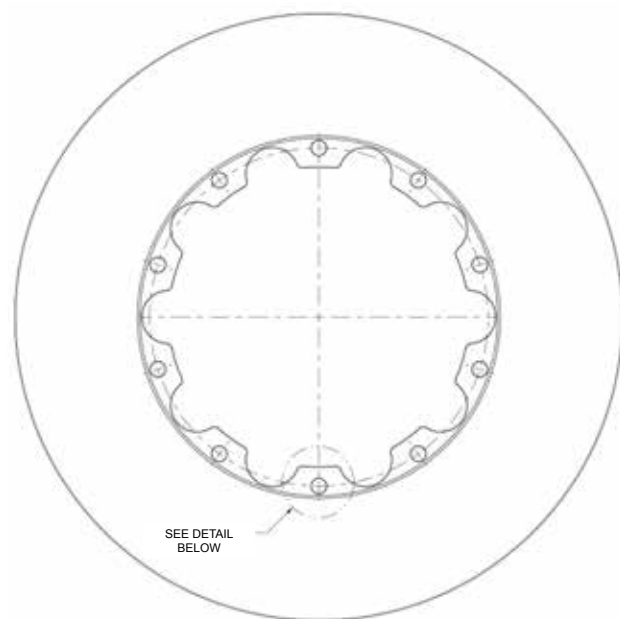
DBA 52914.1L

DBA 52914.1R



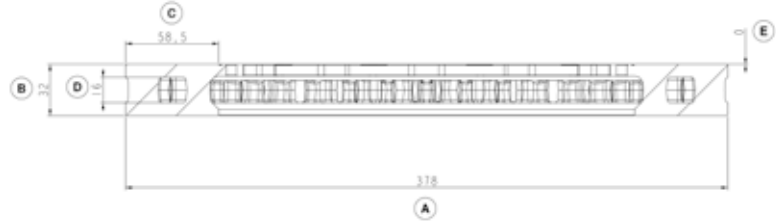
Technical Specifications

A Diameter (mm)	375
B Thickness (mm)	36
C Annulus (mm) (Maximum useable pad width)	59
D Air Gap (mm)	17
E Offset (mm)	0
F Dia. & No. of Bolt holes (mm)	6.4 (x12)
Weight (kg)	10.00
Vent Design	 Curved Vanes



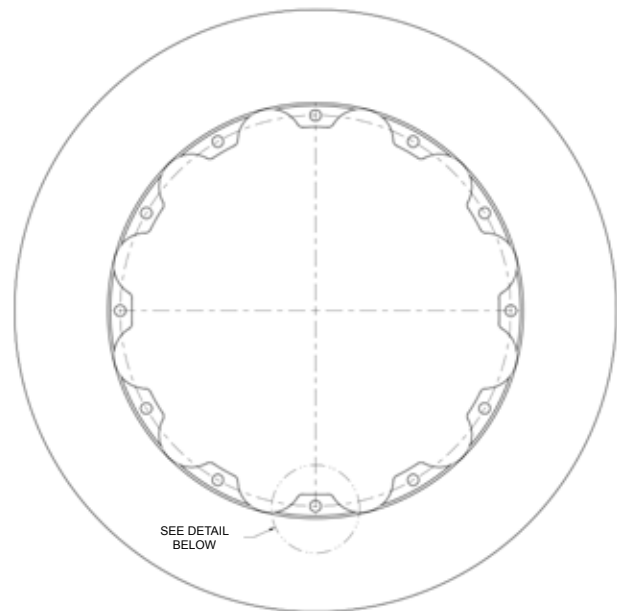
DBA Part No. **DBA 52902.1**

(Supplied with 1/4" UNF NAS crimp nuts)



Technical Specifications

A	Diameter (mm)	378
B	Thickness (mm)	32
C	Annulus (mm) (Maximum useable pad width)	58.5
D	Air Gap (mm)	16
E	Offset (mm)	0
F	Dia. & No. of Bolt holes (mm)	6.4 (x12)
	Weight (kg)	8.06



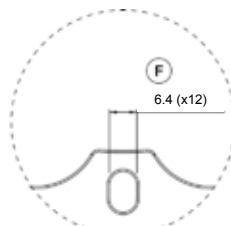
Vent Design



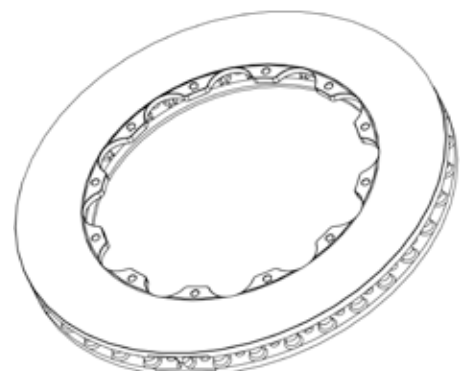
Kangaroo Paw



KANGAROO PAW



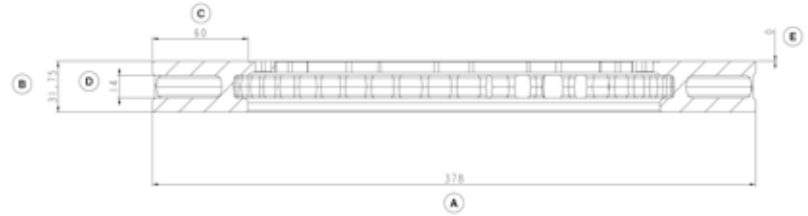
**'ELONGATED' HOLE
DETAIL**



DBA Part Nos.

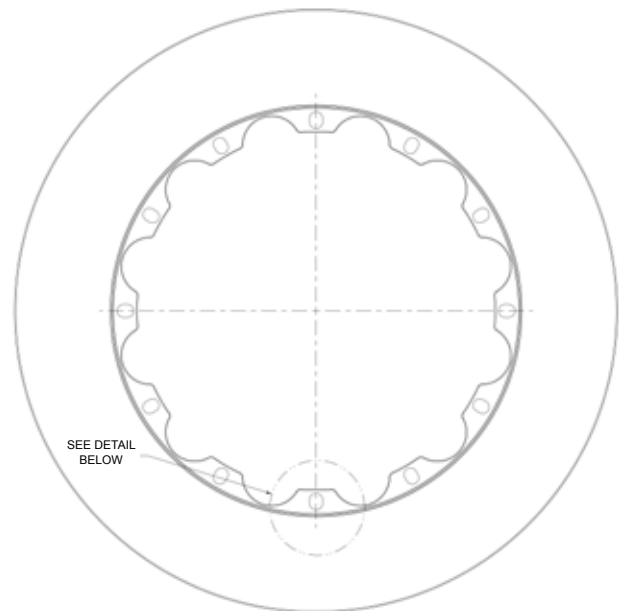
DBA 52928.1L

DBA 52928.1R



Technical Specifications

A Diameter (mm)	378
B Thickness (mm)	31.75
C Annulus (mm) (Maximum useable pad width)	60
D Air Gap (mm)	14
E Offset (mm)	0
F Dia. & No. of Bolt holes (mm)	8.1 (x12)
Weight (kg)	9.03



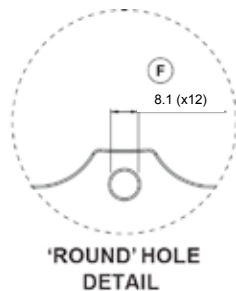
Vent Design



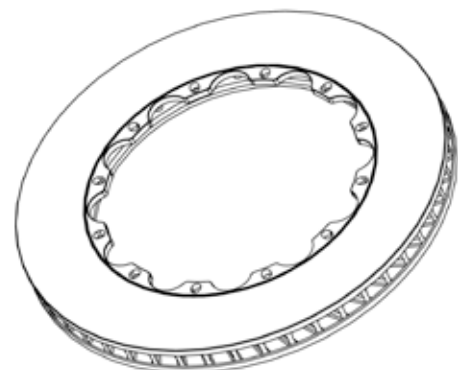
Curved Vanes



CURVED VANES



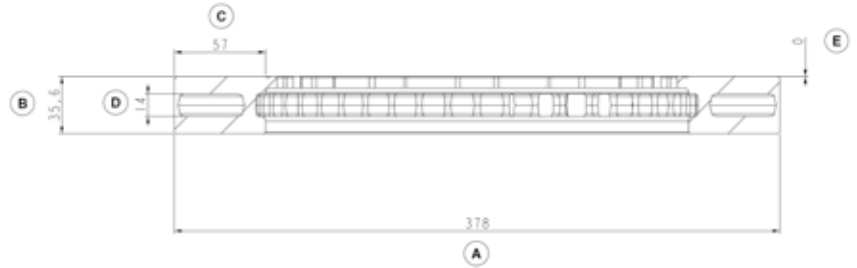
'ROUND' HOLE
DETAIL



DBA Part Nos.

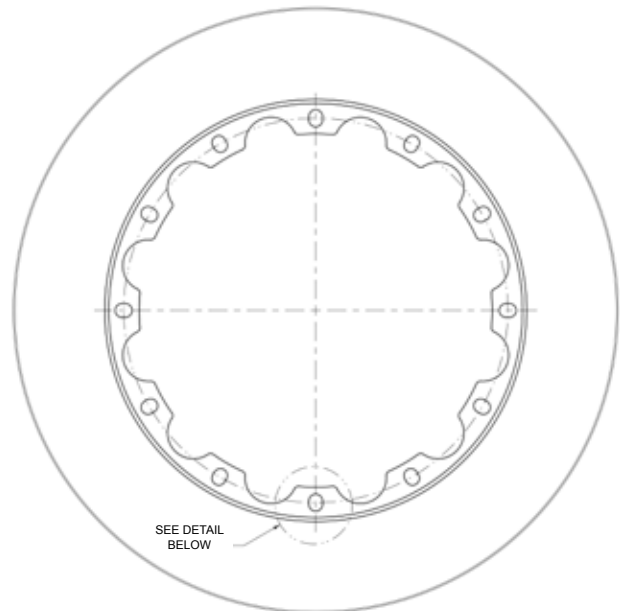
DBA 52932.1L

DBA 52932.1R



Technical Specifications

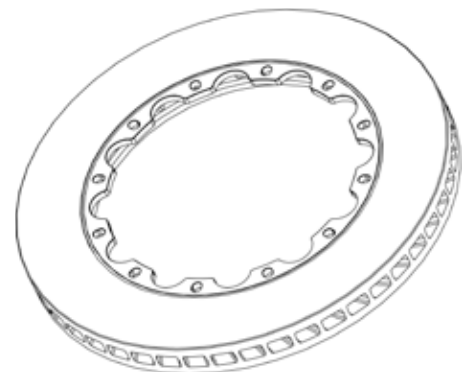
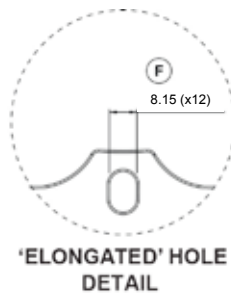
A Diameter (mm)	378
B Thickness (mm)	35.6
C Annulus (mm)	57
D Air Gap (mm)	14
E Offset (mm)	0
F Dia. & No. of Bolt holes (mm)	8.15 (x12)
Weight (kg)	10.56



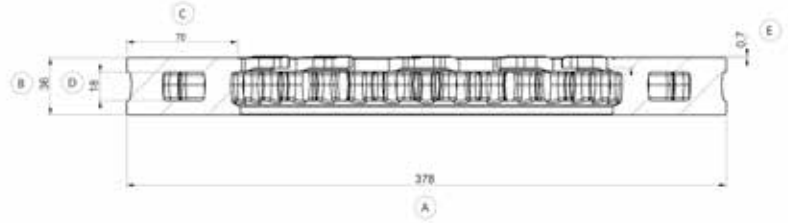
Vent Design



Curved Vanes

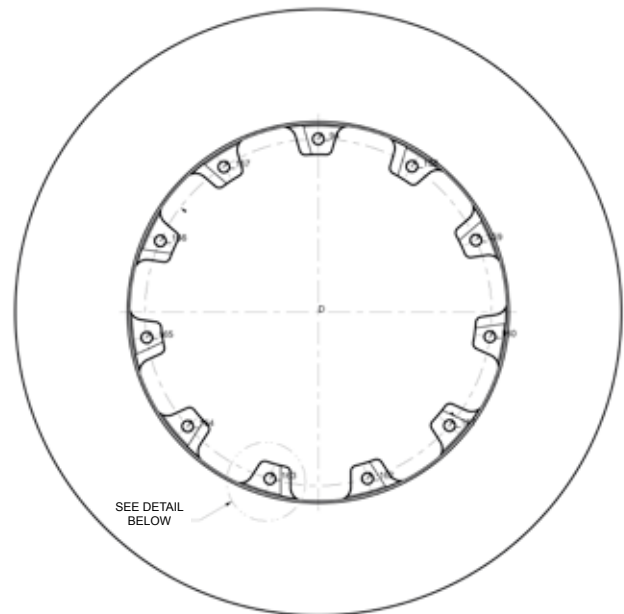


DBA Part No. **DBA 52071.1**



Technical Specifications

A Diameter (mm)	378
B Thickness (mm)	36
C Annulus (mm) (Maximum useable pad width)	70
D Air Gap (mm)	18
E Offset (mm)	+ 0.7
F Dia. & No. of Bolt holes (mm)	6.4 (x11)
Weight (kg)	10.8



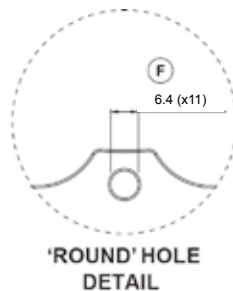
Vent Design



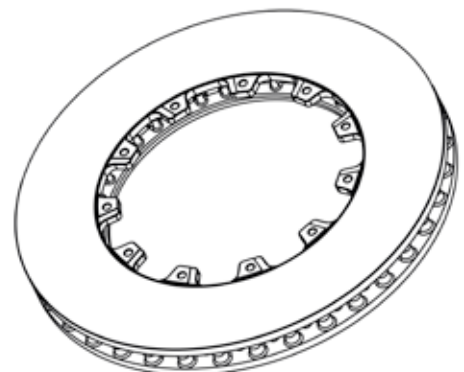
Kangaroo Paw



KANGAROO PAW



**'ROUND' HOLE
DETAIL**



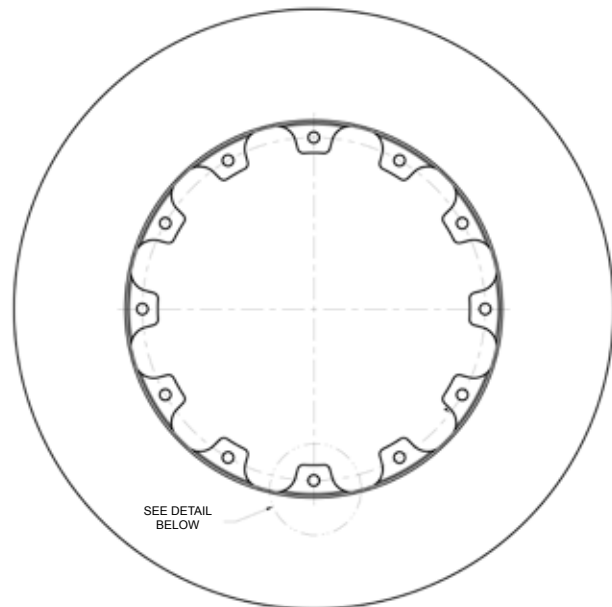
DBA Part No. **DBA 52072.1**

(Supplied with 1/4" UNF NAS crimp nuts)



Technical Specifications

A Diameter (mm)	378
B Thickness (mm)	36
C Annulus (mm) (Maximum useable pad width)	70
D Air Gap (mm)	18
E Offset (mm)	1
F Dia. & No. of Bolt holes (mm)	6.4 (x12)
Weight (kg)	11.2



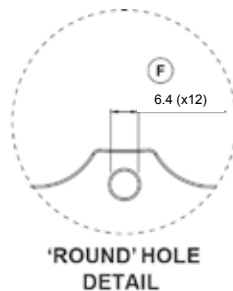
Vent Design



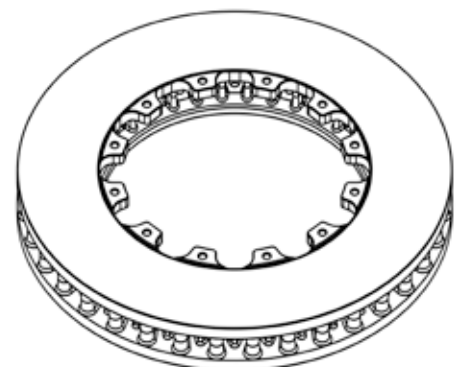
Kangaroo Paw



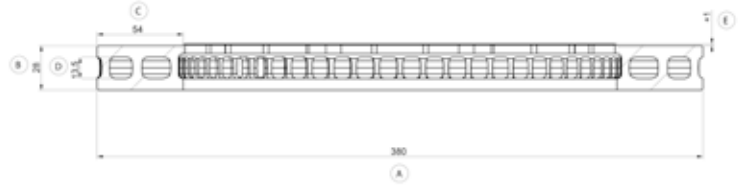
KANGAROO PAW



**'ROUND' HOLE
DETAIL**

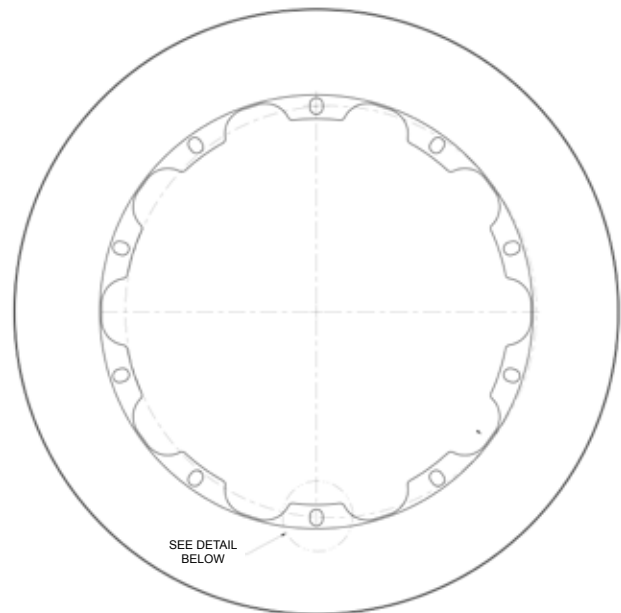


DBA Part No. **DBA 52970.1**



Technical Specifications

A Diameter (mm)	380
B Thickness (mm)	28
C Annulus (mm) (Maximum useable pad width)	54
D Air Gap (mm)	13.5
E Offset (mm)	+ 1
F Dia. & No. of Bolt holes (mm)	8.15 (x10)
Weight (kg)	7.54



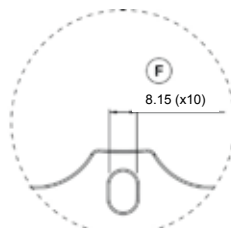
Vent Design



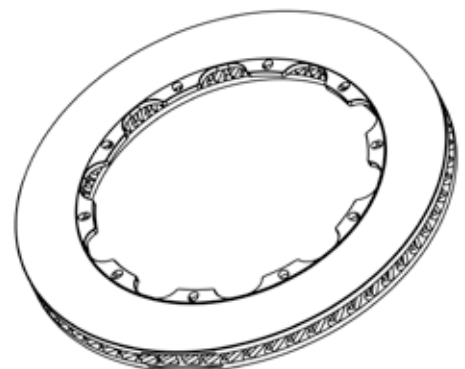
Kangaroo Paw



KANGAROO PAW

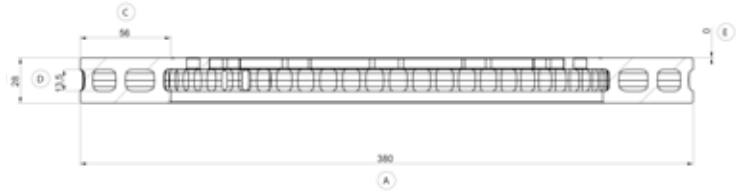


**'ELONGATED' HOLE
DETAIL**



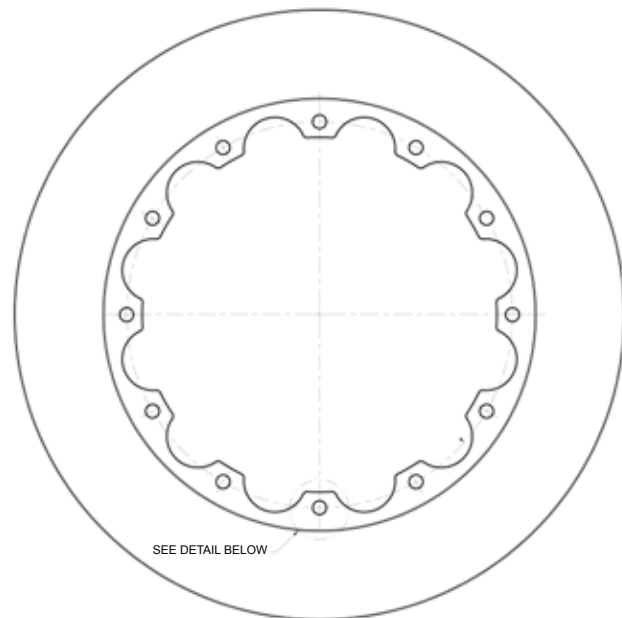
DBA Part No. **DBA 52971.1**

(Supplied with metric 6mm crimp nuts)



Technical Specifications

A Diameter (mm)	380
B Thickness (mm)	28
C Annulus (mm) (Maximum useable pad width)	56
D Air Gap (mm)	13.5
E Offset (mm)	0
F Dia. & No. of Bolt holes (mm)	8.05 (x12)
Weight (kg)	8.08



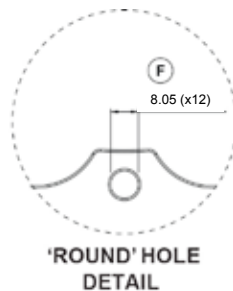
Vent Design



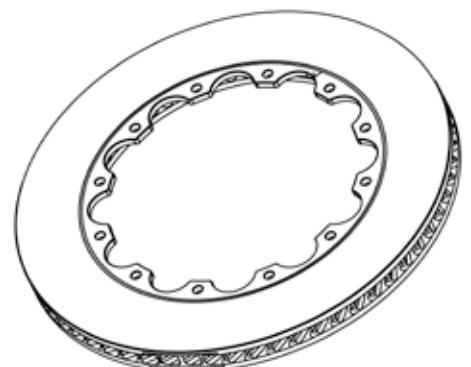
Kangaroo Paw



KANGAROO PAW



**'ROUND' HOLE
DETAIL**



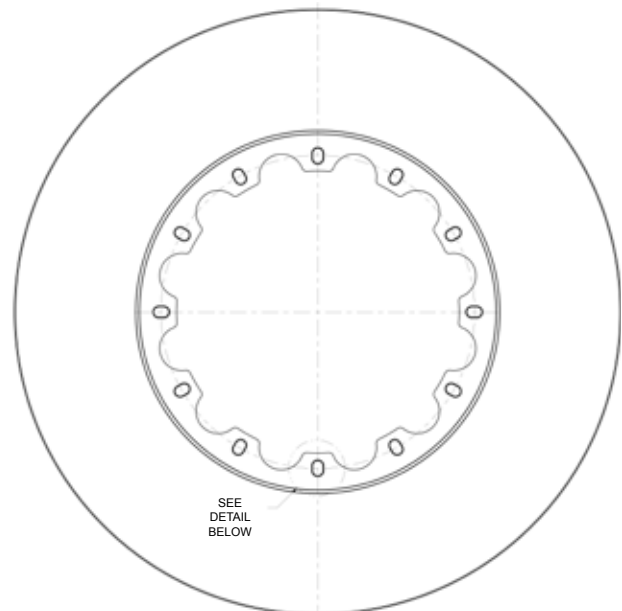
DBA Part No. **DBA 53298.1**

(Supplied with 1/4" UNF NAS crimp nuts)



Technical Specifications

A	Diameter (mm)	380
B	Thickness (mm)	30
C	Annulus (mm) (Maximum useable pad width)	76
D	Air Gap (mm)	12
E	Offset (mm)	0
F	Dia. & No. of Bolt holes (mm)	6.4 (x10)
	Weight (kg)	9.96



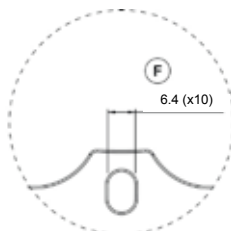
Vent Design



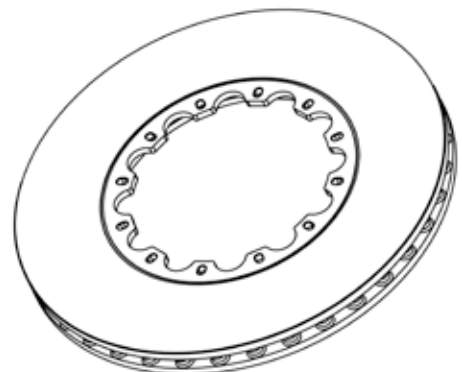
Kangaroo Paw



KANGAROO PAW

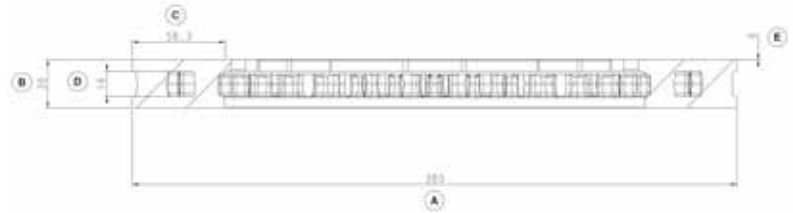


**'ELONGATED' HOLE
DETAIL**



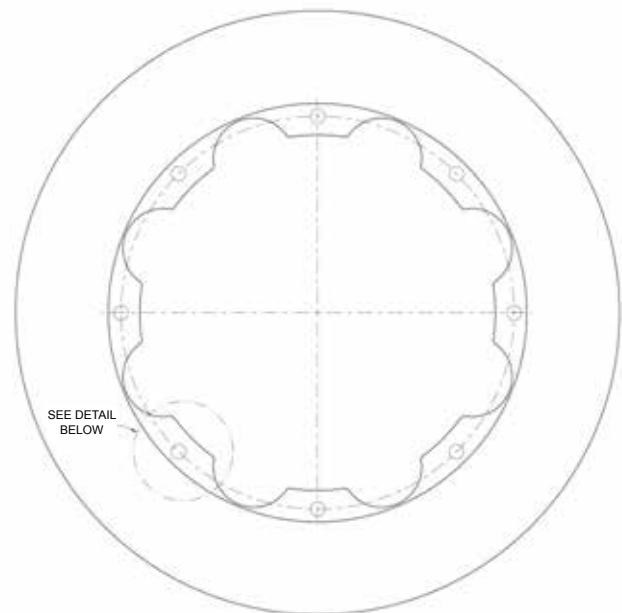
DBA Part No. **DBA 52323.1**

(Supplied with metric 6mm crimp nuts)



Technical Specifications

A Diameter (mm)	380
B Thickness (mm)	30
C Annulus (mm) (Maximum useable pad width)	58.3
D Air Gap (mm)	16
E Offset (mm)	0
F Dia. & No. of Bolt holes (mm)	9.05 (x8)
Weight (kg)	8.18



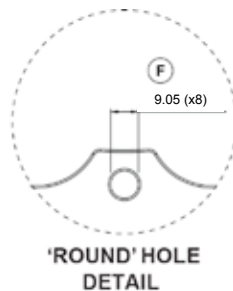
Vent Design



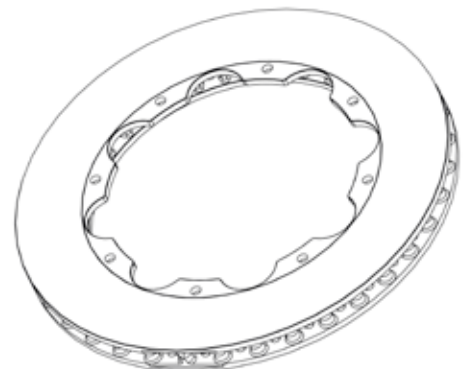
Kangaroo Paw



KANGAROO PAW

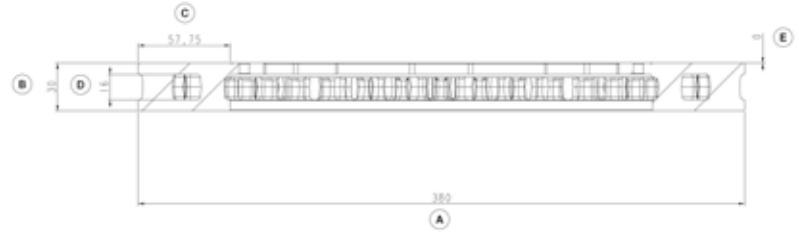


**'ROUND' HOLE
DETAIL**



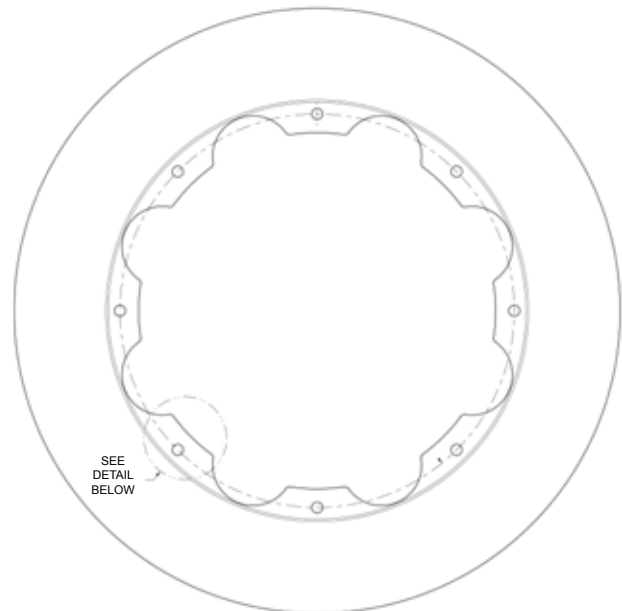
DBA Part No. **DBA 52321.1**

(Supplied with 1/4" UNF NAS crimp nuts)



Technical Specifications

A	Diameter (mm)	380
B	Thickness (mm)	30
C	Annulus (mm) (Maximum useable pad width)	57.75
D	Air Gap (mm)	16
E	Offset (mm)	0
F	Dia. & No. of Bolt holes (mm)	6.4 (x8)
	Weight (kg)	8.2



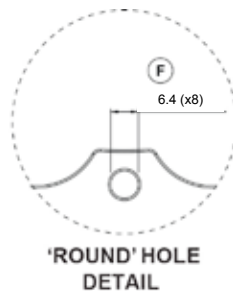
Vent Design



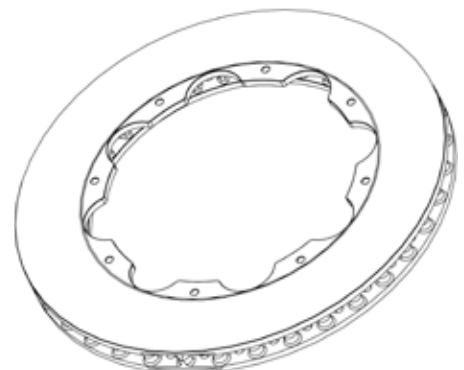
Kangaroo Paw



KANGAROO PAW




**'ROUND' HOLE
DETAIL**

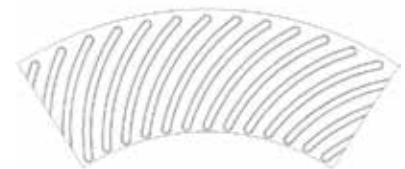
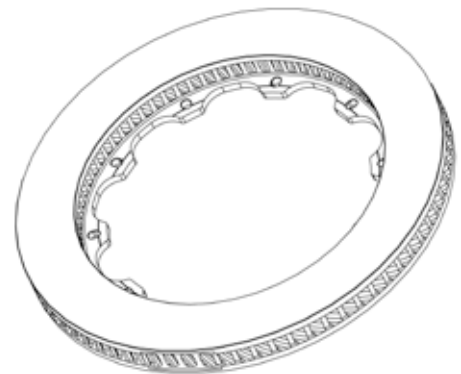
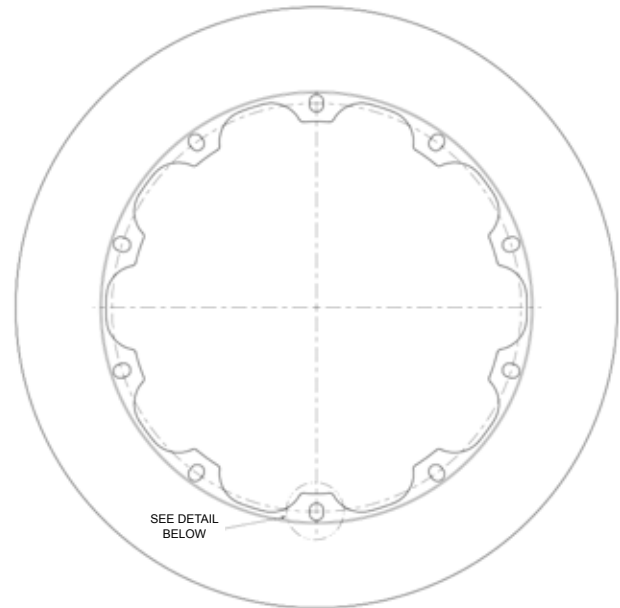
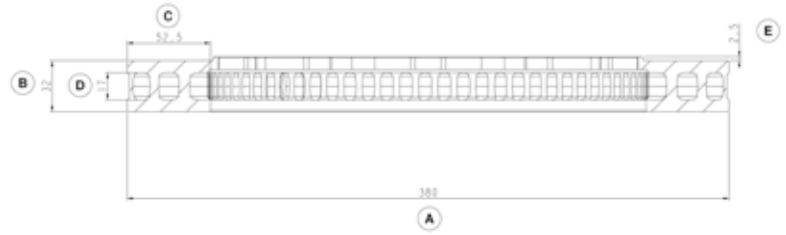


DBA Part Nos.
DBA 52933.1L
DBA 52933.1R

Technical Specifications

Technical Specifications

A Diameter (mm)	380
B Thickness (mm)	32
C Annulus (mm) (Maximum useable pad width)	52.5
D Air Gap (mm)	17
E Offset (mm)	+ 2.5
F Dia. & No. of Bolt holes (mm)	8.15 (x10)
Weight (kg)	8.51
Vent Design	 Curved Vanes



CURVED VANES

Alternate Part / Cross Reference **ONLY**

Brembo Part No.

09.5759.74/84 – 17mm Air-Gap
09.5759.98/99 – 17mm Air-Gap
09.8528.74/84 – 17mm Air-Gap

Brembo Part No.

09.5884.73/83 – 20mm Air-Gap
09.A009.74/84 – 20mm Air-Gap

Endless No.

E98-8032-BOLO-CG8

Porsche:

997 Cup (Grand-Am Category)
997 (GT3 Category) Sprint
997 (GT3 Category) Endurance
996 RSR (GT2 Category)

Aston Martin:

DBRS - 9 (GT2)
DBRS - 9 (GT3 Homogation) GTE (2011-on)
DBRS - 9 (GT4 Endurance)

Ferrari:

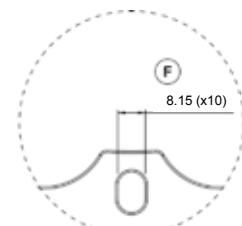
430 Berlinetta (GT2/GT3 Category)

Ford:

Mustang S197 Boss 302R (GS/GTS/T1)

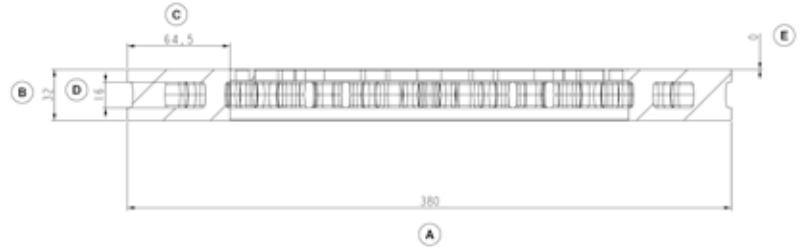
Chevrolet:

Corvette C6 W.C.GT/Rolex GT
Camaro GS/TS



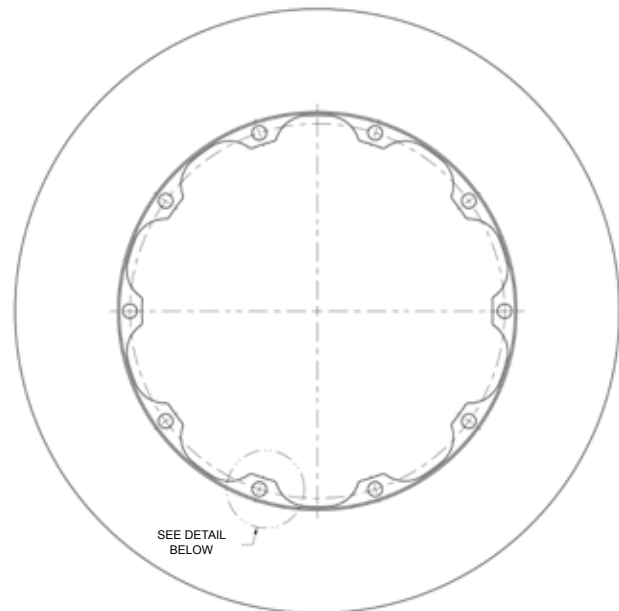
**'ELONGATED' HOLE
DETAIL**

DBA Part No. **DBA 52399.1**



Technical Specifications

A Diameter (mm)	380
B Thickness (mm)	32
C Annulus (mm) (Maximum useable pad width)	64.5
D Air Gap (mm)	16
E Offset (mm)	0
F Dia. & No. of Bolt holes (mm)	8.5 (x10)
Weight (kg)	9.4



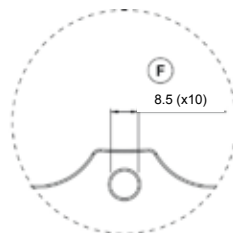
Vent Design



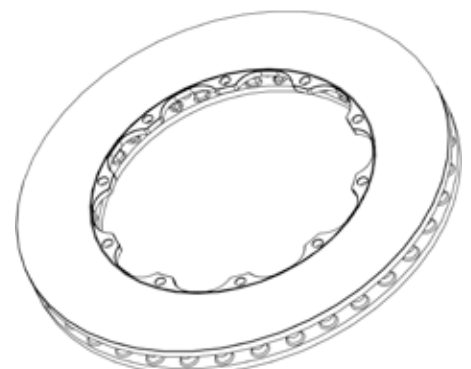
Kangaroo Paw



KANGAROO PAW



**'ROUND' HOLE
DETAIL**

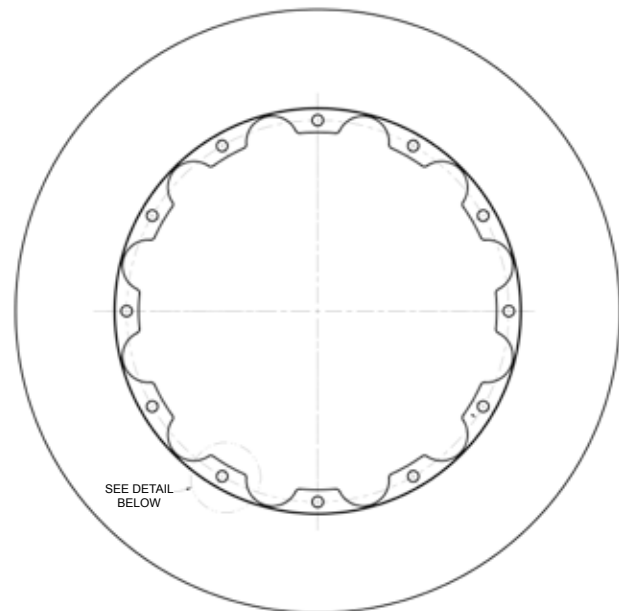


DBA Part No. **DBA 52900.1**



Technical Specifications

A Diameter (mm)	380
B Thickness (mm)	32
C Annulus (mm) (Maximum useable pad width)	62
D Air Gap (mm)	17
E Offset (mm)	0
F Dia. & No. of Bolt holes (mm)	6.35 (x12)
Weight (kg)	9.1



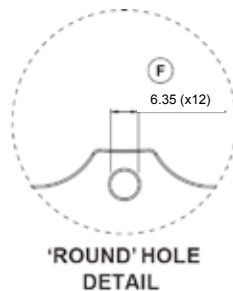
Vent Design



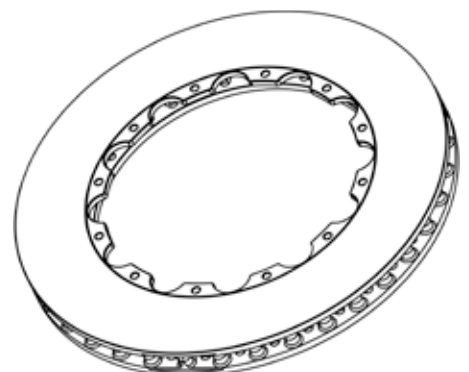
Kangaroo Paw



KANGAROO PAW



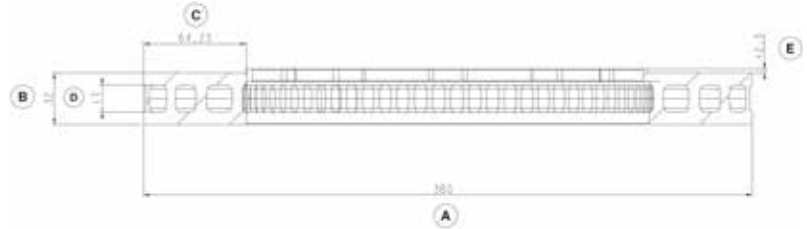
**'ROUND' HOLE
DETAIL**



DBA Part Nos.

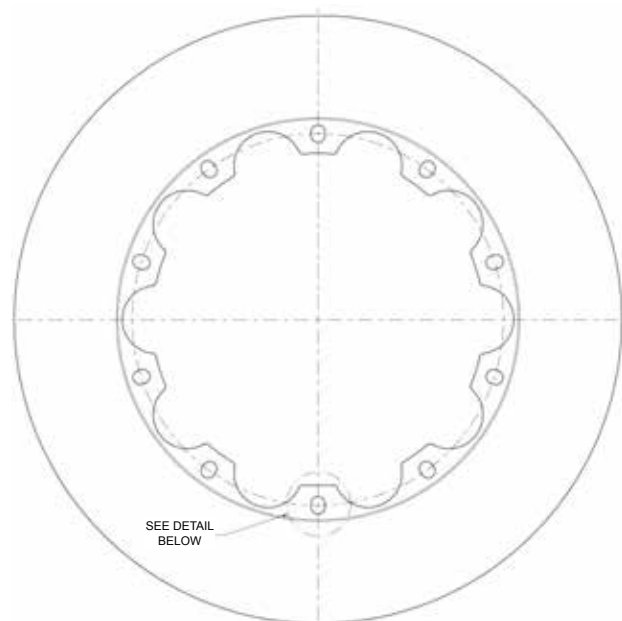
DBA 59382.1L

DBA 59382.1R



Technical Specifications

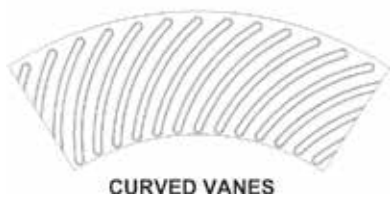
A Diameter (mm)	380
B Thickness (mm)	32
C Annulus (mm) (Maximum useable pad width)	64.25
D Air Gap (mm)	17
E Offset (mm)	+ 2.5
F Dia. & No. of Bolt holes (mm)	8.15 (x10)
Weight (kg)	10.04



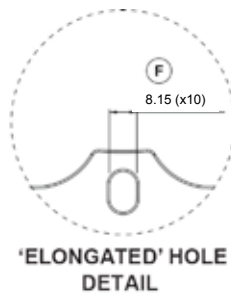
Vent Design



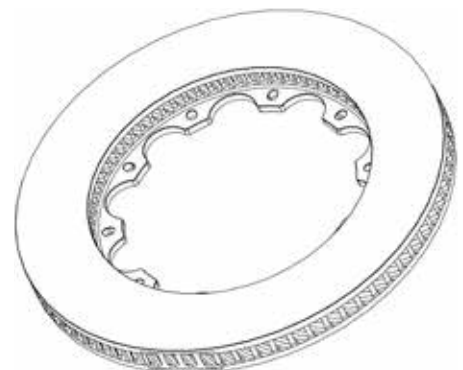
Curved Vanes



CURVED VANES

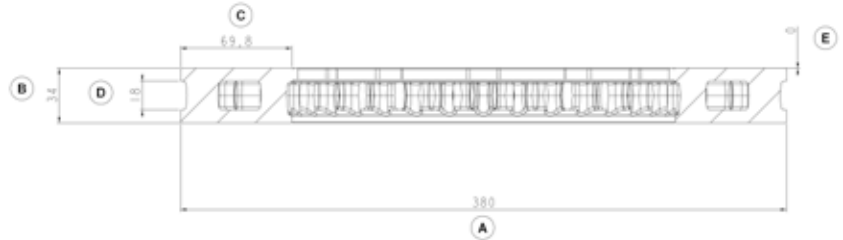


**'ELONGATED' HOLE
DETAIL**



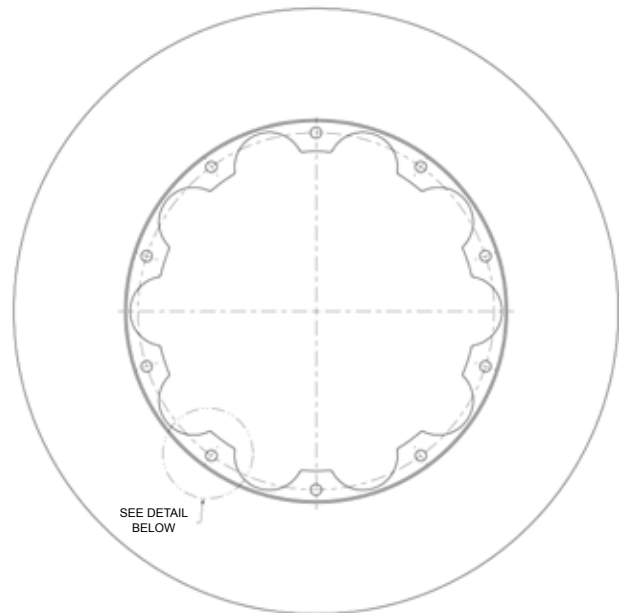
DBA Part No. **DBA 52320.1**

(Supplied with 1/4" UNF NAS crimp nuts)



Technical Specifications

A Diameter (mm)	380
B Thickness (mm)	34
C Annulus (mm) (Maximum useable pad width)	69.8
D Air Gap (mm)	18
E Offset (mm)	0
F Dia. & No. of Bolt holes (mm)	6.4 (x10)
Weight (kg)	10.2



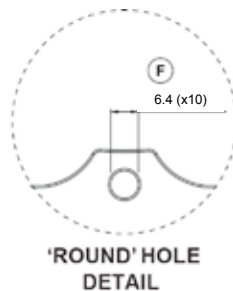
Vent Design



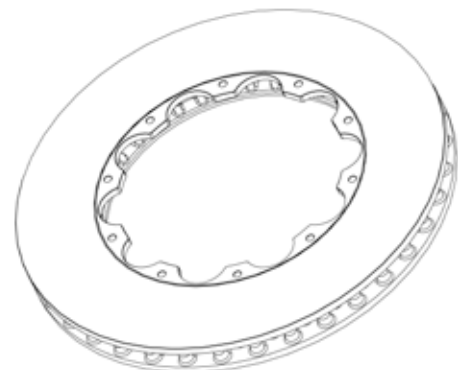
Kangaroo Paw



KANGAROO PAW

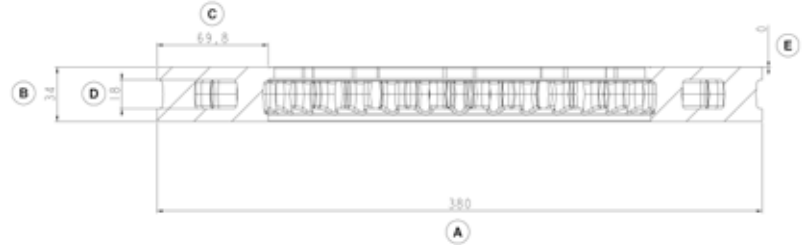


**'ROUND' HOLE
DETAIL**



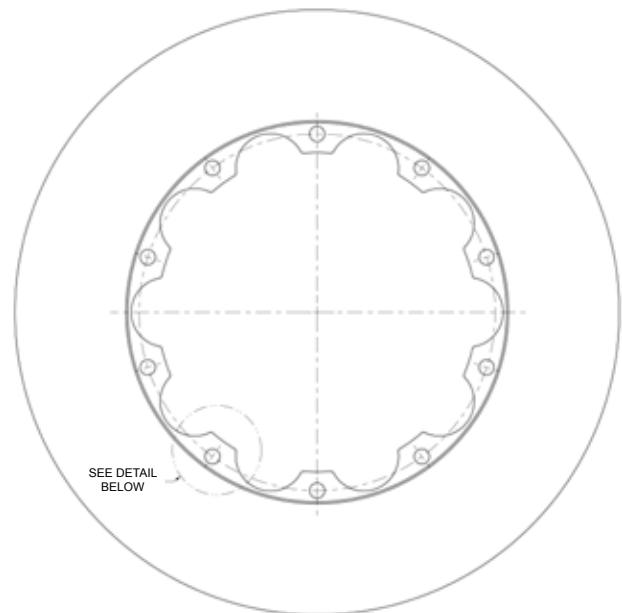
DBA Part No. **DBA 52322.1**

(Supplied with metric 6mm crimp nuts)



Technical Specifications

A Diameter (mm)	380
B Thickness (mm)	34
C Annulus (mm) (Maximum useable pad width)	69.8
D Air Gap (mm)	18
E Offset (mm)	0
F Dia. & No. of Bolt holes (mm)	9 (x10)
Weight (kg)	10.2



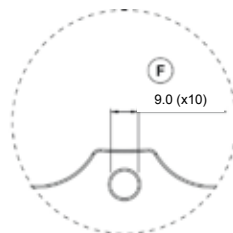
Vent Design



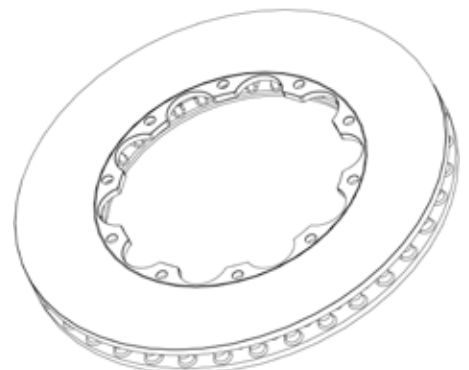
Kangaroo Paw



KANGAROO PAW

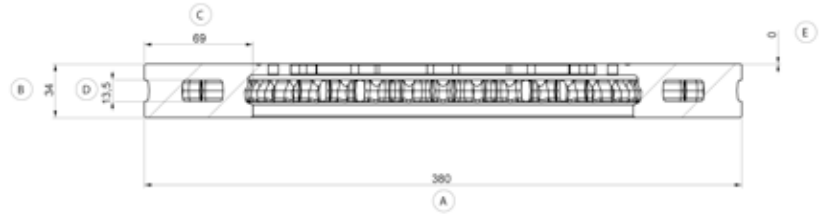


**'ROUND' HOLE
DETAIL**



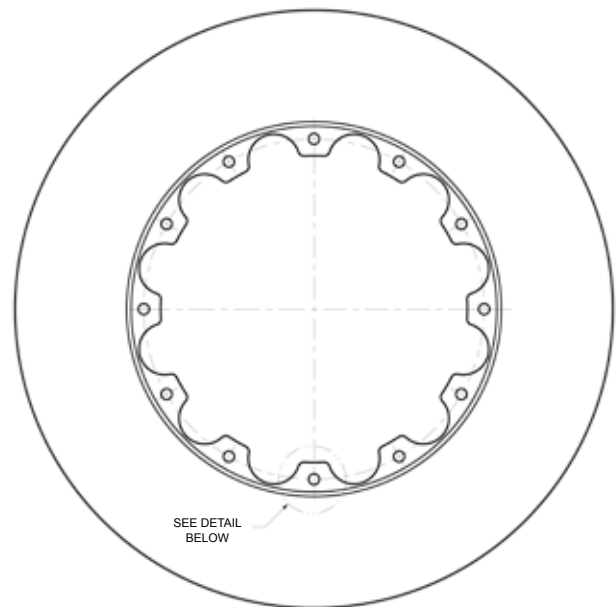
DBA Part No. **DBA 52632.1**

(Supplied with 1/4" UNF NAS crimp nuts)



Technical Specifications

A Diameter (mm)	380
B Thickness (mm)	34
C Annulus (mm) (Maximum useable pad width)	69.8
D Air Gap (mm)	13.5
E Offset (mm)	0
F Dia. & No. of Bolt holes (mm)	6.4 (x12)
Weight (kg)	11.88



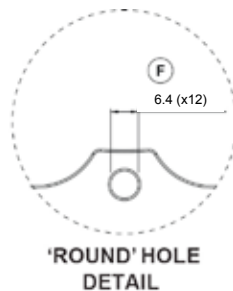
Vent Design



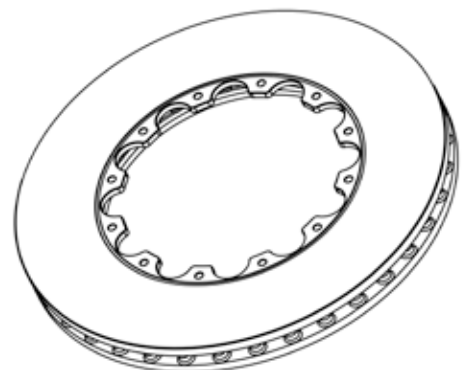
Kangaroo Paw



KANGAROO PAW

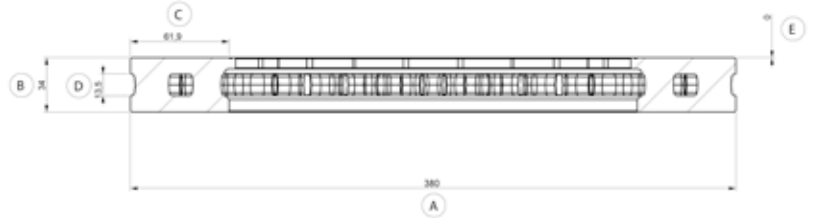


**'ROUND' HOLE
DETAIL**



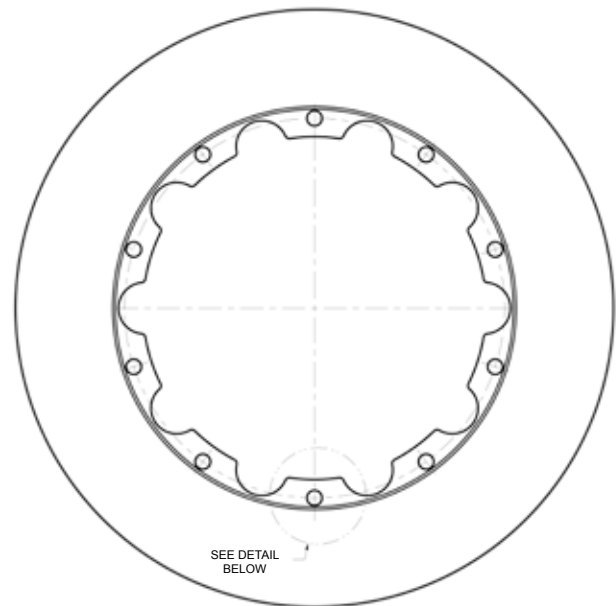
DBA Part No. **DBA 53903.1**

(Supplied with metric 6mm crimp nuts)



Technical Specifications

A	Diameter (mm)	380
B	Thickness (mm)	34
C	Annulus (mm) (Maximum useable pad width)	61.9
D	Air Gap (mm)	13.5
E	Offset (mm)	0
F	Dia. & No. of Bolt holes (mm)	9.05 (x10)
	Weight (kg)	10.9



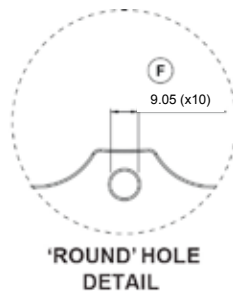
Vent Design



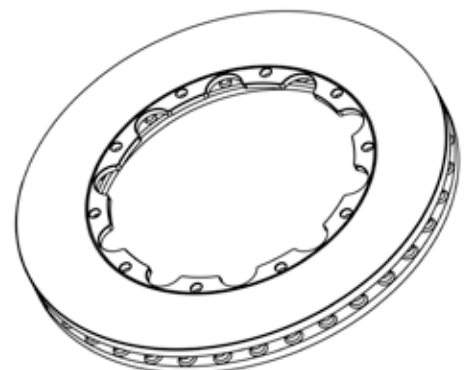
Kangaroo Paw



KANGAROO PAW



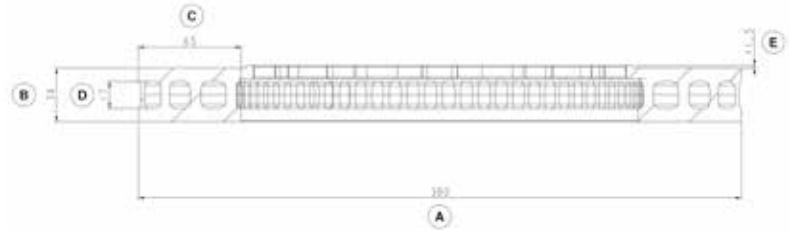
**'ROUND' HOLE
DETAIL**




DBA Part Nos.

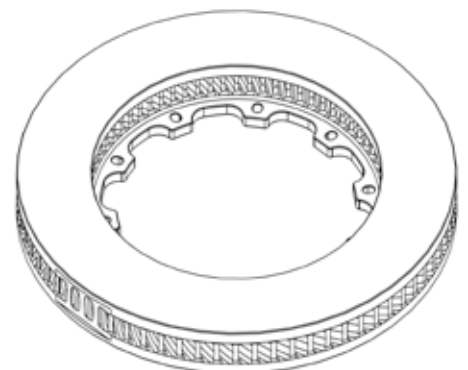
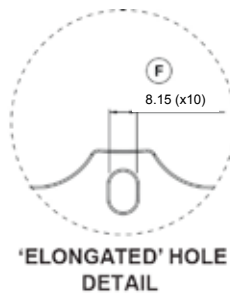
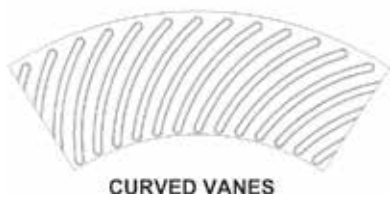
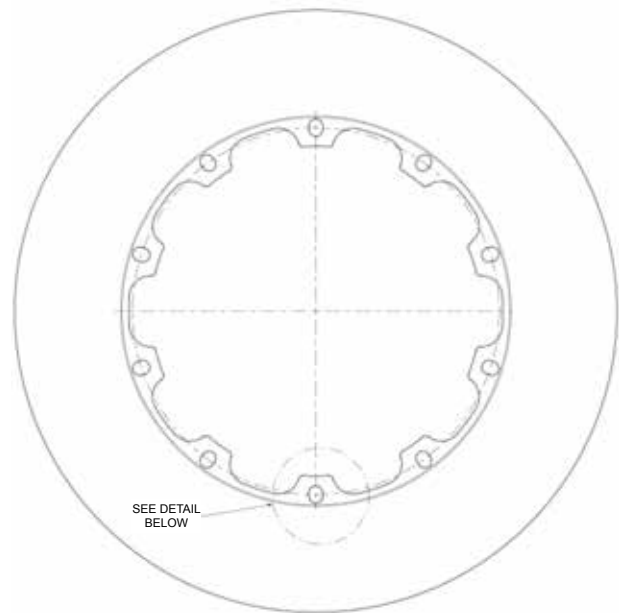
DBA 59384.1L

DBA 59384.1R



Technical Specifications

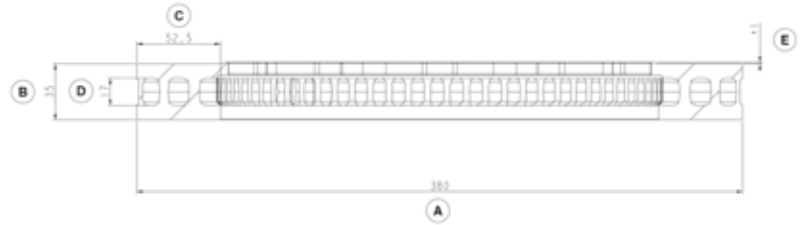
A	Diameter (mm)	380
B	Thickness (mm)	34
C	Annulus (mm) (Maximum useable pad width)	65
D	Air Gap (mm)	17
E	Offset (mm)	+ 1.5
F	Dia. & No. of Bolt holes (mm)	8.15 (x10)
	Weight (kg)	10.97
	Vent Design	 Curved Vanes



DBA Part Nos.

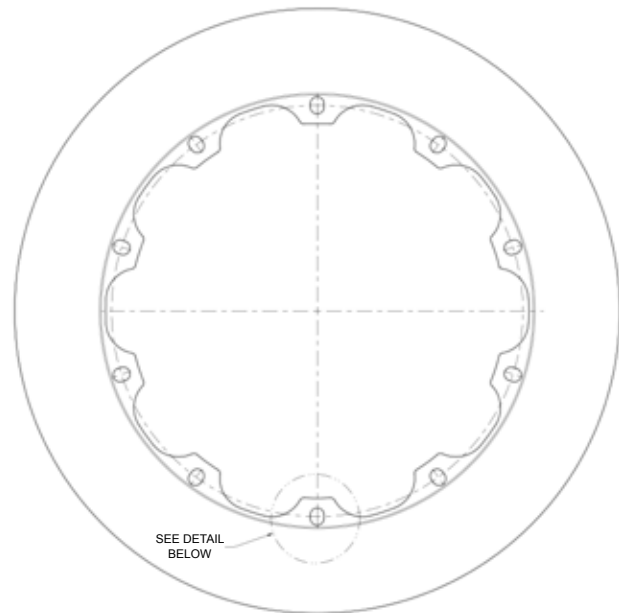
DBA 52385.1L

DBA 52385.1R



Technical Specifications

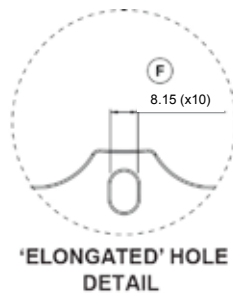
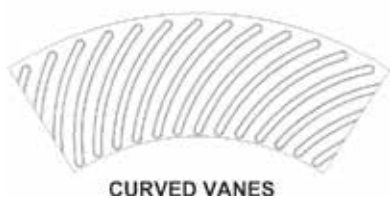
A Diameter (mm)	380
B Thickness (mm)	35
C Annulus (mm) (Maximum useable pad width)	52.5
D Air Gap (mm)	17
E Offset (mm)	+ 1
F Dia. & No. of Bolt holes (mm)	8.15 (x10)
Weight (kg)	9.64



Vent Design



Curved Vanes



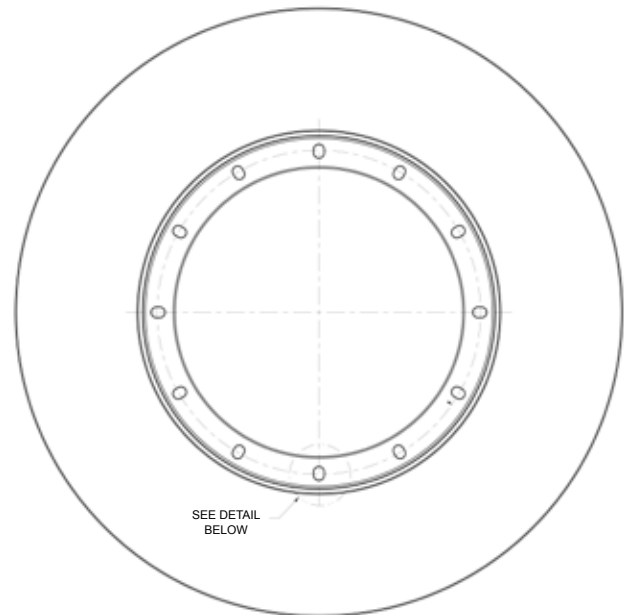
DBA Part No. **DBA 52774.1**

(Supplied with 1/4" UNF NAS crimp nuts)



Technical Specifications

A	Diameter (mm)	380
B	Thickness (mm)	36
C	Annulus (mm) (Maximum useable pad width)	77
D	Air Gap (mm)	18
E	Offset (mm)	-18
F	Dia. & No. of Bolt holes (mm)	6.4 (x12)
	Weight (kg)	12.9



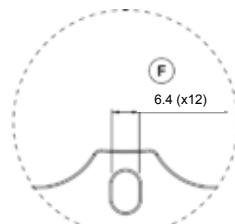
Vent Design



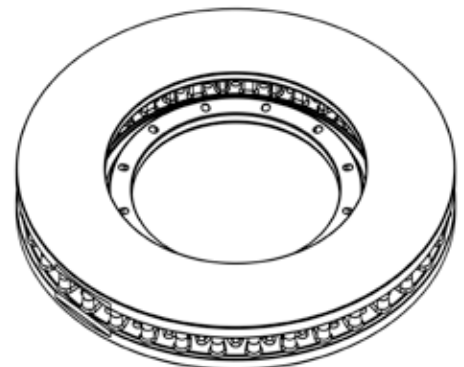
Kangaroo Paw



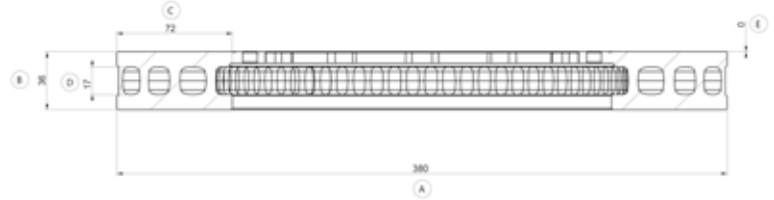
KANGAROO PAW




**'ELONGATED' HOLE
DETAIL**

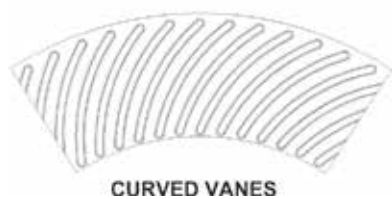
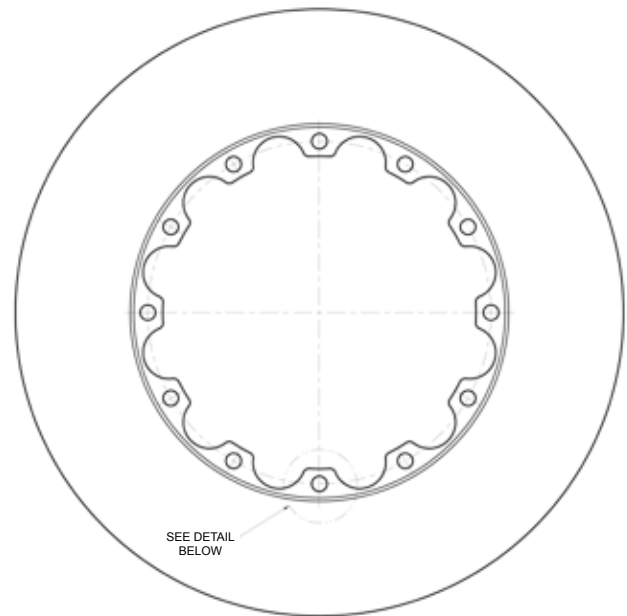


DBA Part Nos.
DBA 52972.1L
DBA 52972.1R

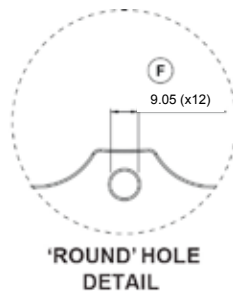


Technical Specifications

A Diameter (mm)	380
B Thickness (mm)	36
C Annulus (mm) (Maximum useable pad width)	72
D Air Gap (mm)	17
E Offset (mm)	0
F Dia. & No. of Bolt holes (mm)	9.05 (x12)
Weight (kg)	12.6
Vent Design	 Curved Vanes



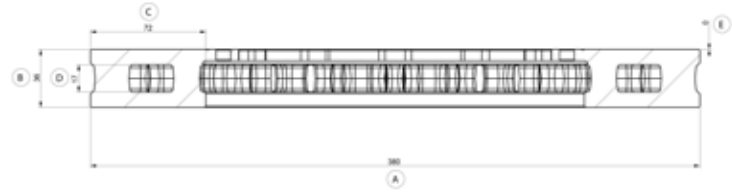
CURVED VANES



**'ROUND' HOLE
DETAIL**

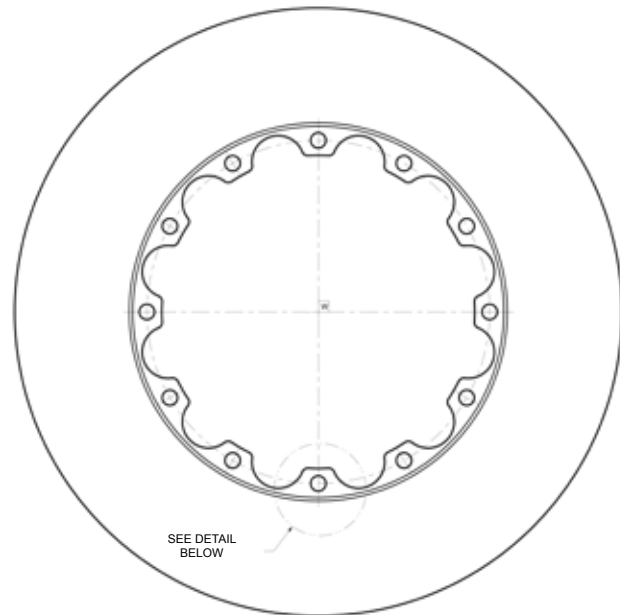


DBA Part No. **DBA 53921.1**



Technical Specifications

A Diameter (mm)	380
B Thickness (mm)	36
C Annulus (mm) (Maximum useable pad width)	72
D Air Gap (mm)	17
E Offset (mm)	0
F Dia. & No. of Bolt holes (mm)	9.05 (x12)
Weight (kg)	12.6



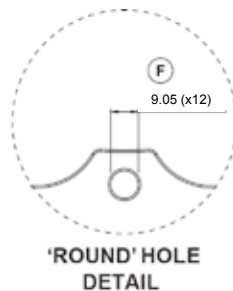
Vent Design



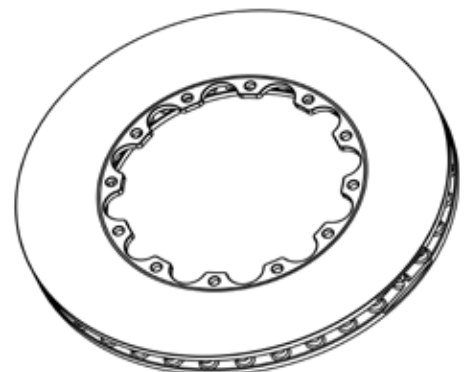
Kangaroo Paw



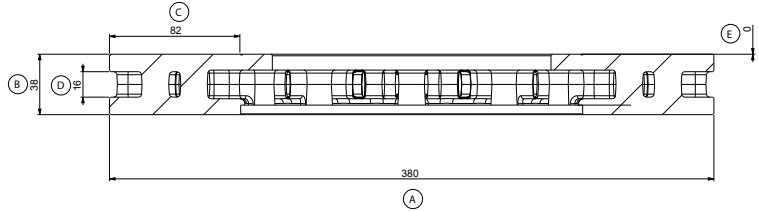
KANGAROO PAW



**'ROUND' HOLE
DETAIL**

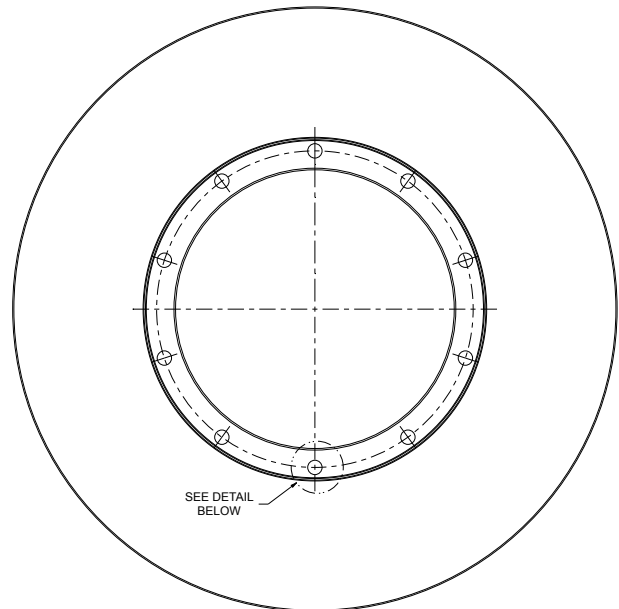


DBA Part No. **DBA 52938.1**



Technical Specifications

A	Diameter (mm)	380
B	Thickness (mm)	38
C	Annulus (mm) (Maximum useable pad width)	82
D	Air Gap (mm)	16
E	Offset (mm)	0
F	Dia. & No. of Bolt holes (mm)	9.04 (x10)
	Weight (kg)	15.49



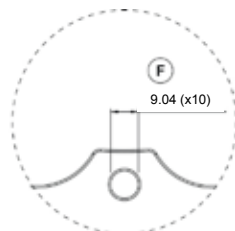
Vent Design



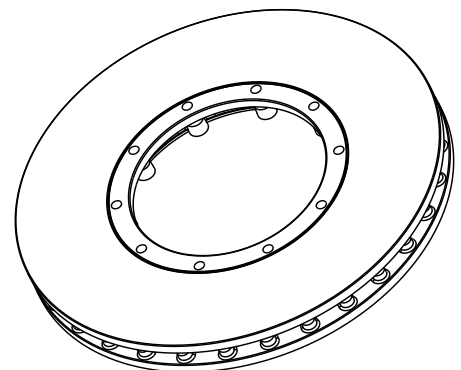
Kangaroo Paw



KANGAROO PAW



**'ROUND' HOLE
DETAIL**



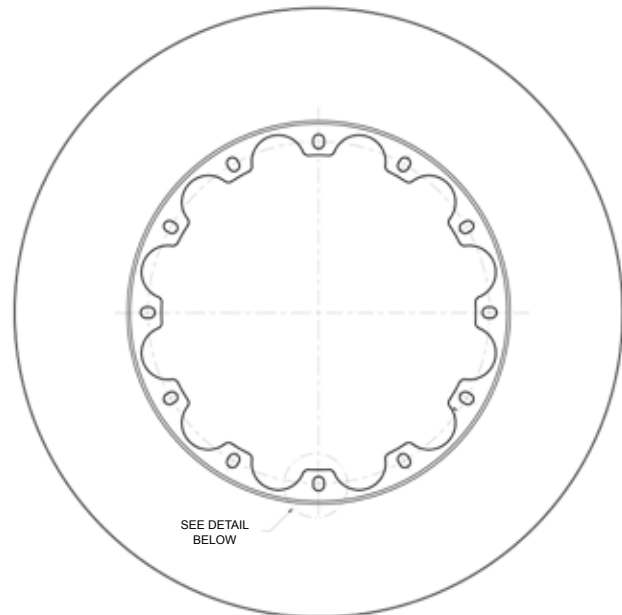
DBA Part No. **DBA 52778.1**

(Supplied with 1/4" UNF NAS crimp nuts)



Technical Specifications

A	Diameter (mm)	385
B	Thickness (mm)	36
C	Annulus (mm) (Maximum useable pad width)	69
D	Air Gap (mm)	17
E	Offset (mm)	0
F	Dia. & No. of Bolt holes (mm)	6.4 (x12)
	Weight (kg)	12.56



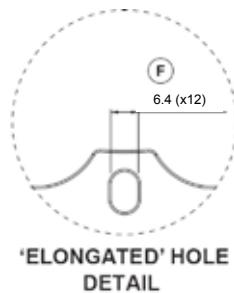
Vent Design



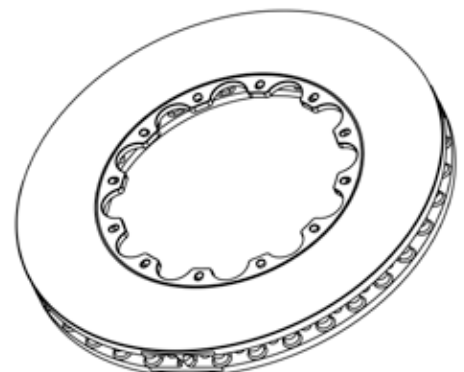
Kangaroo Paw



KANGAROO PAW



**'ELONGATED' HOLE
DETAIL**

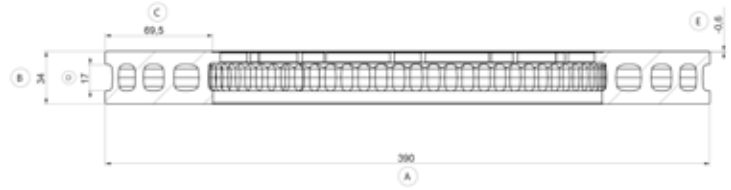


DBA Part Nos.

DBA 52370.1L

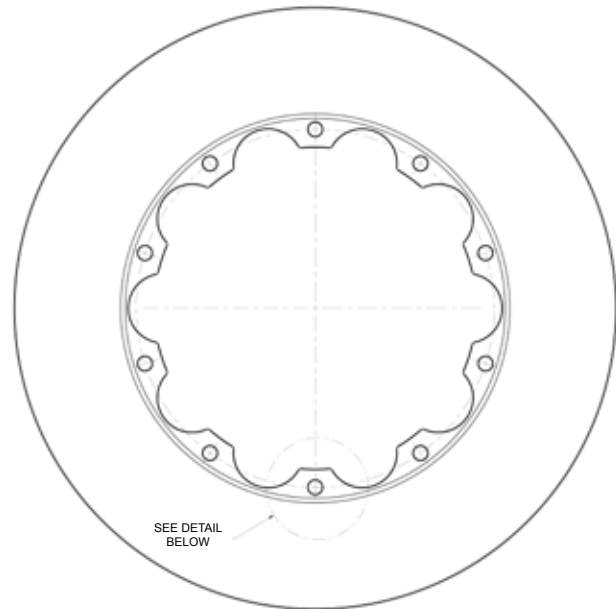
DBA 52370.1R

(Supplied with metric 6mm crimp nuts)



Technical Specifications

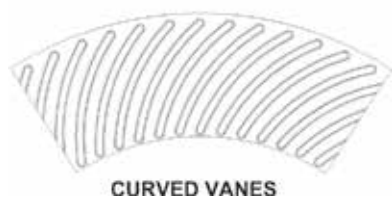
A	Diameter (mm)	390
B	Thickness (mm)	34
C	Annulus (mm) (Maximum useable pad width)	68.1
D	Air Gap (mm)	17
E	Offset (mm)	-0.6
F	Dia. & No. of Bolt holes (mm)	9 (x10)
	Weight (kg)	11.6



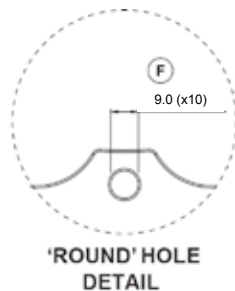
Vent Design



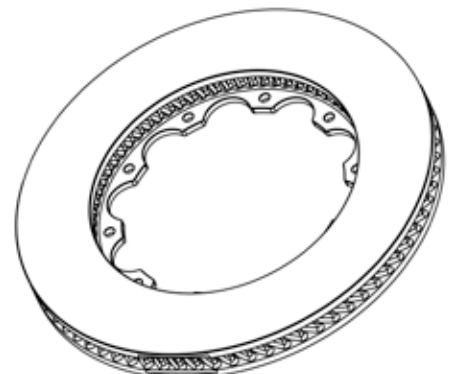
Curved Vanes



CURVED VANES

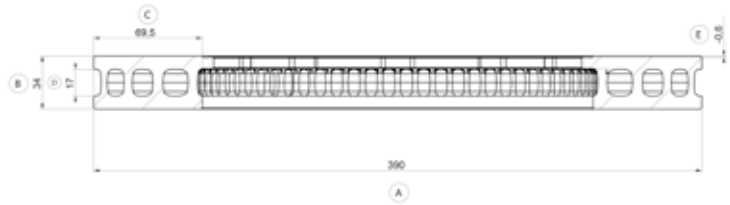


**'ROUND' HOLE
DETAIL**



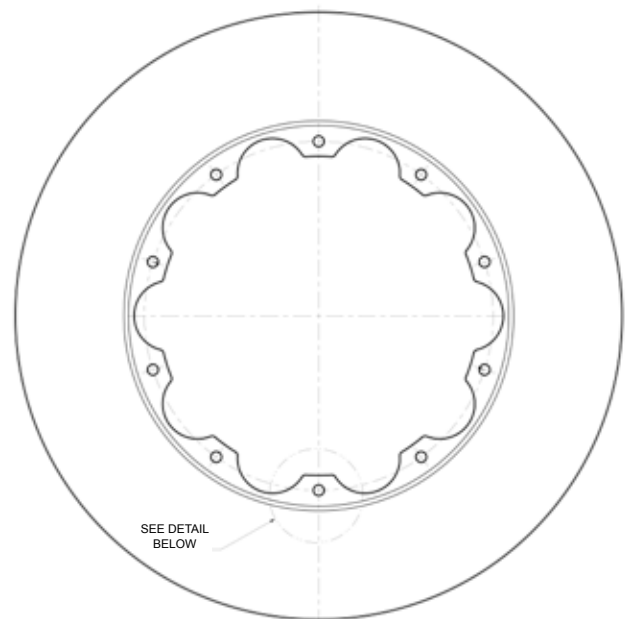
DBA Part No. **DBA 52379.1**

(Supplied with 1/4" UNF NAS crimp nuts)



Technical Specifications

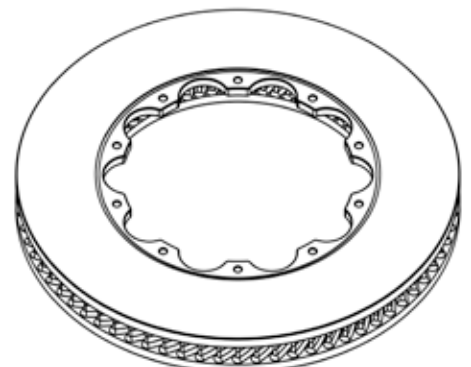
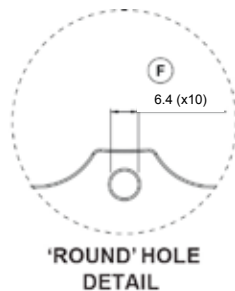
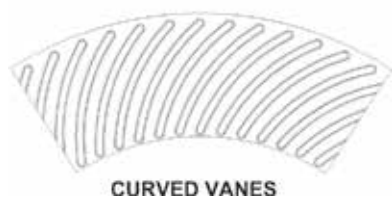
A Diameter (mm)	390
B Thickness (mm)	34
C Annulus (mm) (Maximum useable pad width)	69.5
D Air Gap (mm)	17
E Offset (mm)	-0.6
F Dia. & No. of Bolt holes (mm)	6.4 (x10)
Weight (kg)	11.9



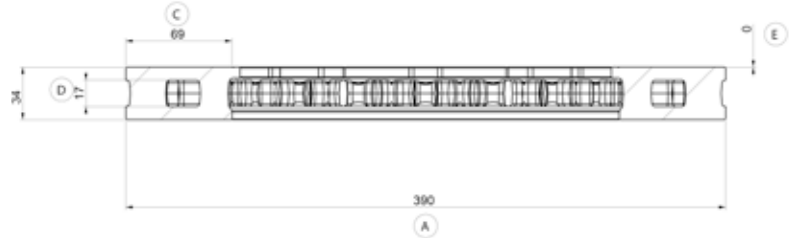
Vent Design



Curved Vanes

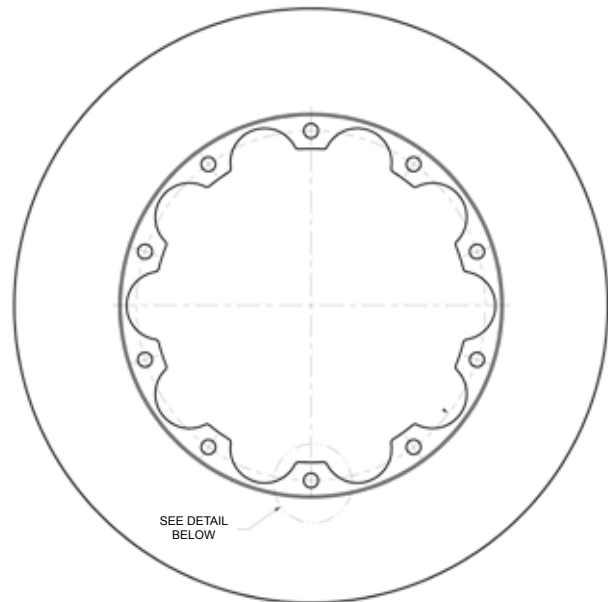


DBA Part No. **DBA 52910.1**



Technical Specifications

A Diameter (mm)	390
B Thickness (mm)	34
C Annulus (mm) (Maximum useable pad width)	69
D Air Gap (mm)	17
E Offset (mm)	0
F Dia. & No. of Bolt holes (mm)	9 (x10)
Weight (kg)	11.8



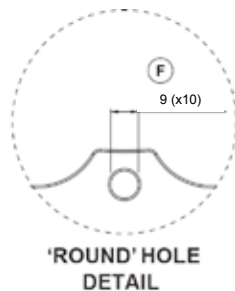
Vent Design



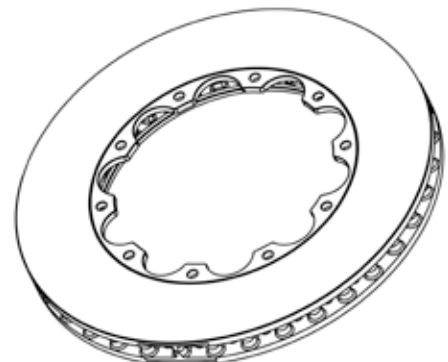
Kangaroo Paw



KANGAROO PAW



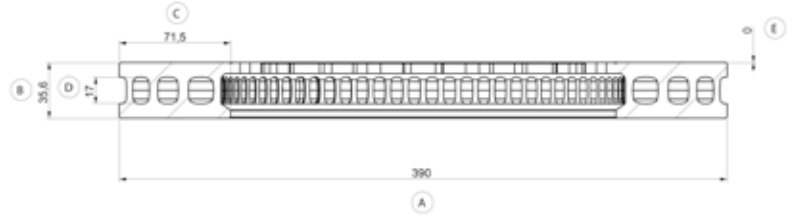
**'ROUND' HOLE
DETAIL**



DBA Part Nos.

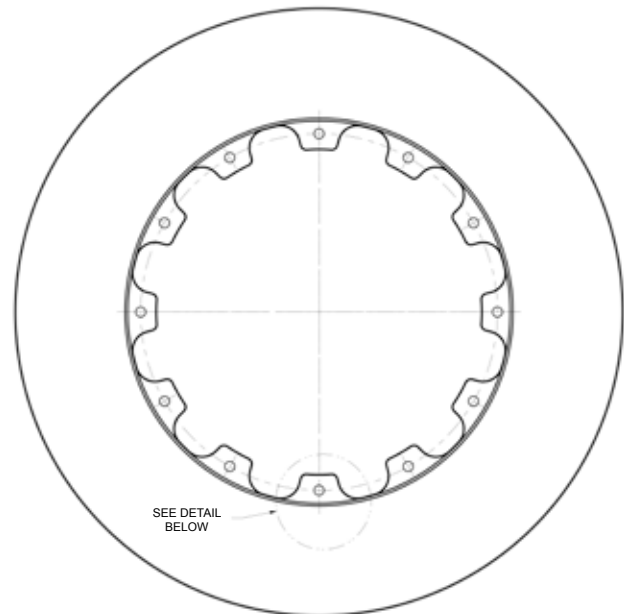
DBA 52068.1L

DBA 52068.1R



Technical Specifications

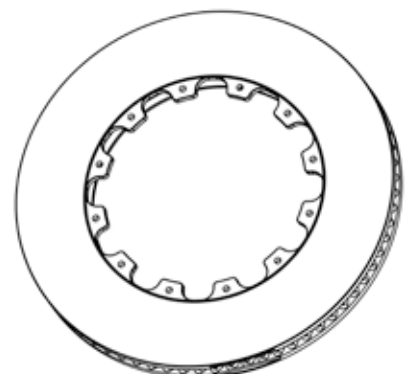
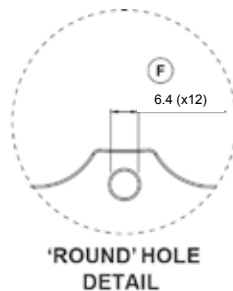
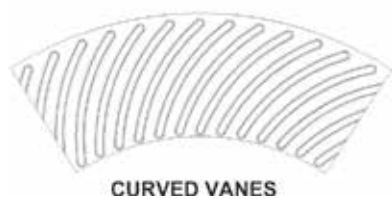
A Diameter (mm)	390
B Thickness (mm)	35.6
C Annulus (mm) (Maximum useable pad width)	71.5
D Air Gap (mm)	17
E Offset (mm)	0
F Dia. & No. of Bolt holes (mm)	6.4 (x12)
Weight (kg)	12.48



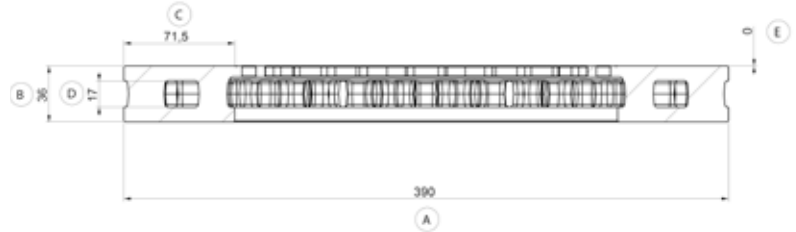
Vent Design



Curved Vanes

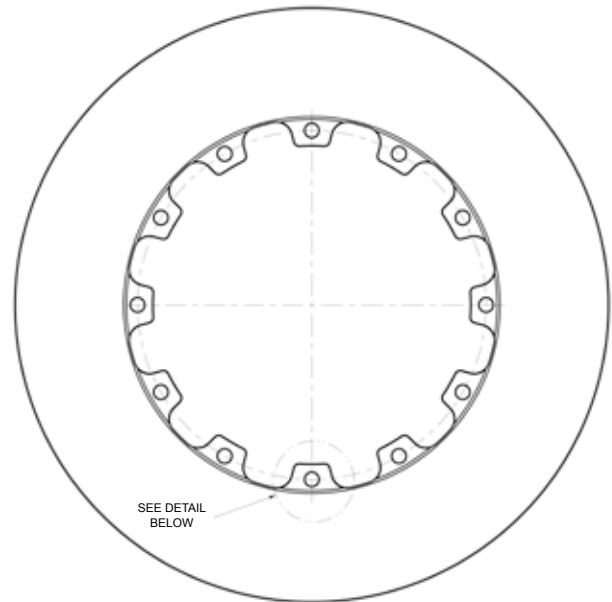


DBA Part No. **DBA 52980.1**



Technical Specifications

A Diameter (mm)	390
B Thickness (mm)	36
C Annulus (mm) (Maximum useable pad width)	71.5
D Air Gap (mm)	17
E Offset (mm)	0
F Dia. & No. of Bolt holes (mm)	9.04 (x12)
Weight (kg)	12.7



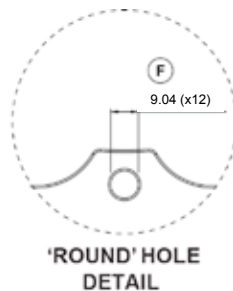
Vent Design



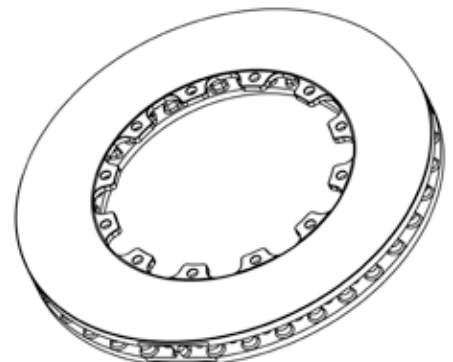
Kangaroo Paw



KANGAROO PAW



**'ROUND' HOLE
DETAIL**



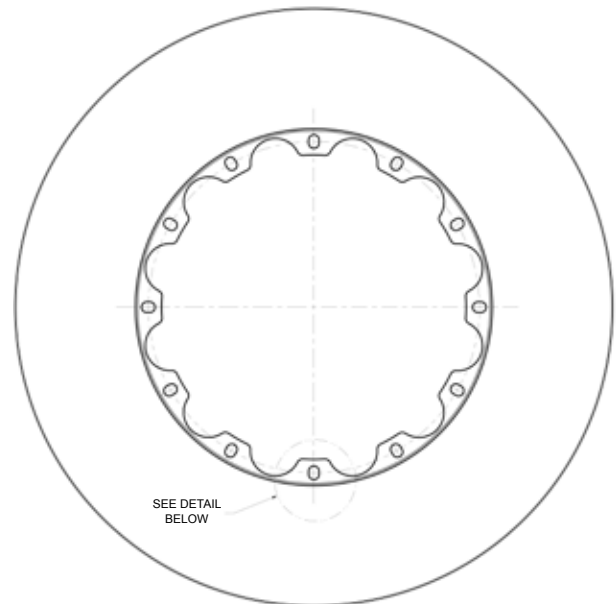
DBA Part No. **DBA 53000.1**

(Supplied with 1/4" UNF NAS crimp nuts)



Technical Specifications

A	Diameter (mm)	390
B	Thickness (mm)	36
C	Annulus (mm) (Maximum useable pad width)	72.5
D	Air Gap (mm)	17
E	Offset (mm)	-3.5
F	Dia. & No. of Bolt holes (mm)	6.4 (x12)
	Weight (kg)	13.26



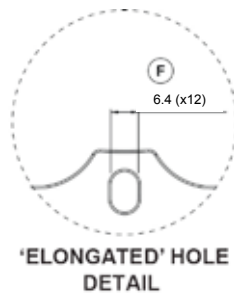
Vent Design



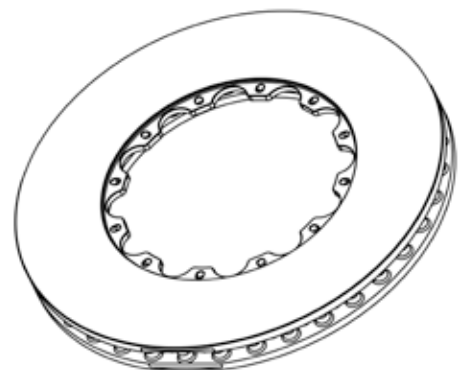
Kangaroo Paw



KANGAROO PAW



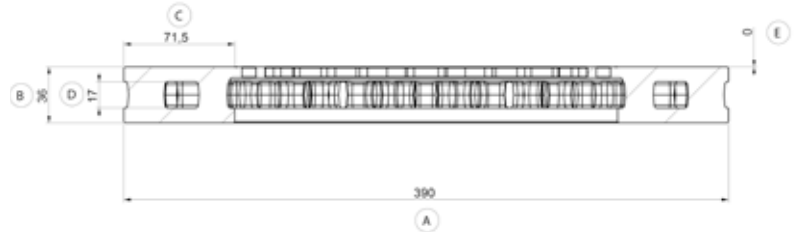
**'ELONGATED' HOLE
DETAIL**



DBA Part No. **DBA 53000.1W**

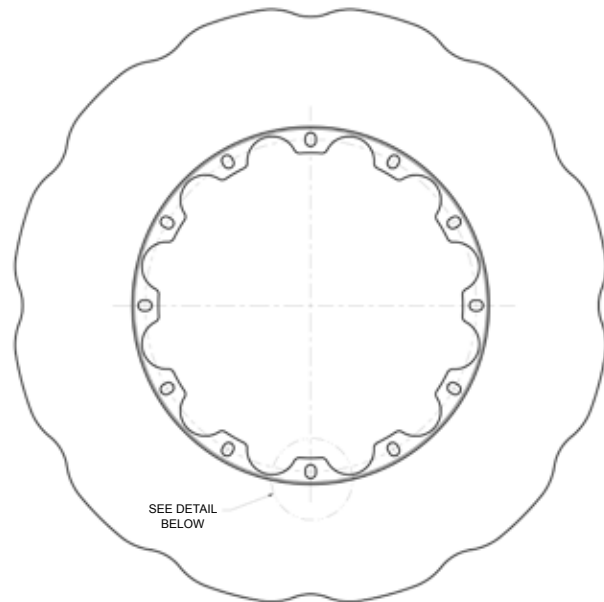
(Supplied with 1/4" UNF NAS crimp nuts)

Note: Wave Design disks are not to be used for any form of MotorSport



Technical Specifications

A	Diameter (mm)	390
B	Thickness (mm)	36
C	Annulus (mm) (Maximum useable pad width)	72.5
D	Air Gap (mm)	17
E	Offset (mm)	-3.5
F	Dia. & No. of Bolt holes (mm)	6.4 (x12)
	Weight (kg)	12.9



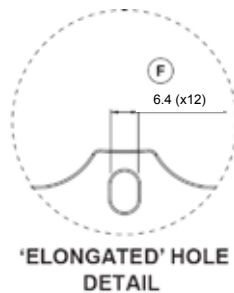
Vent Design



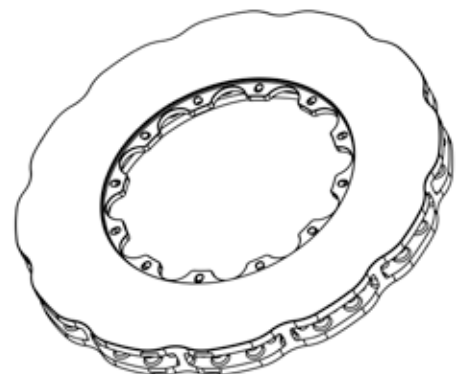
Kangaroo Paw



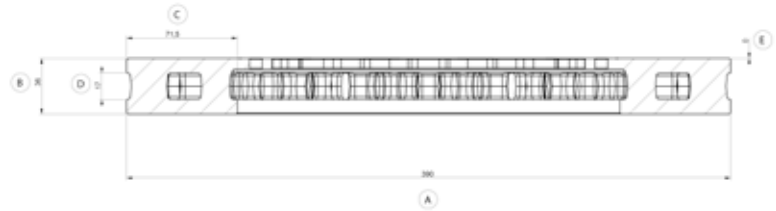
KANGAROO PAW



**'ELONGATED' HOLE
DETAIL**

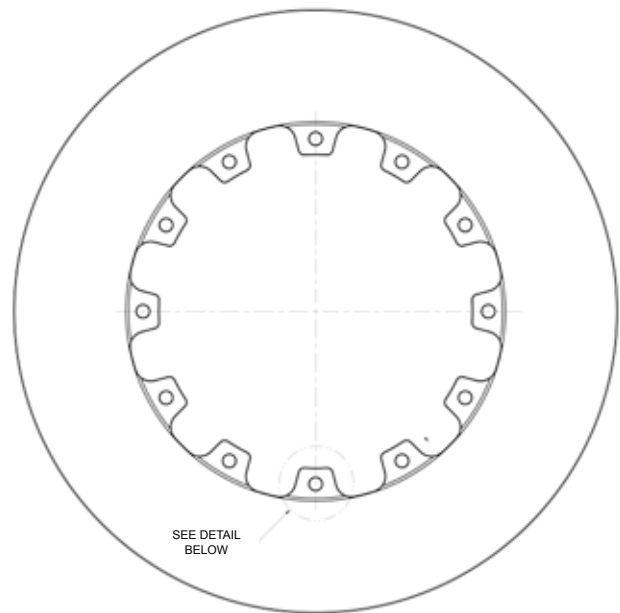


DBA Part No. **DBA 53901.1**



Technical Specifications

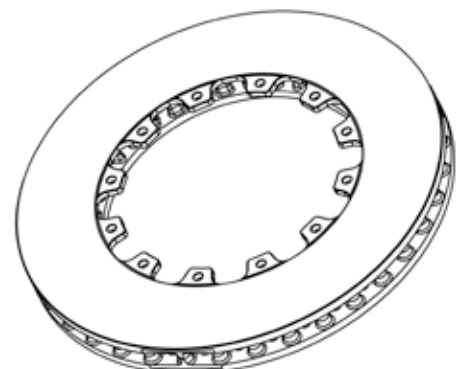
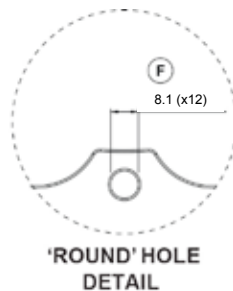
A Diameter (mm)	390
B Thickness (mm)	36
C Annulus (mm) (Maximum useable pad width)	71.5
D Air Gap (mm)	17
E Offset (mm)	0
F Dia. & No. of Bolt holes (mm)	8.1 x 12
Weight (kg)	12.7



Vent Design

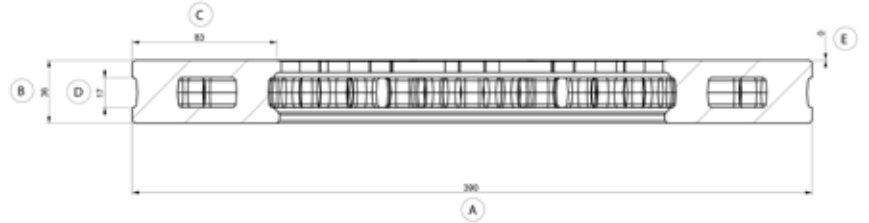


Kangaroo Paw



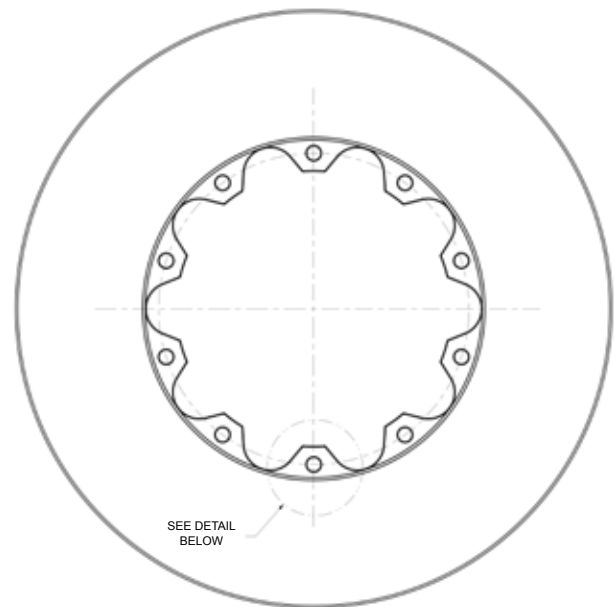
DBA Part No. **DBA 53916.1**

(Supplied with 6mm crimp nuts)



Technical Specifications

A Diameter (mm)	390
B Thickness (mm)	36
C Annulus (mm) (Maximum useable pad width)	83
D Air Gap (mm)	17
E Offset (mm)	0
F Dia. & No. of Bolt holes (mm)	9.06 (x10)
Weight (kg)	14.25



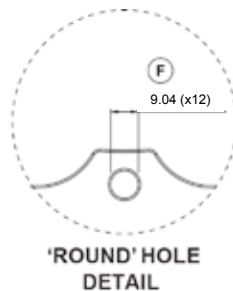
Vent Design



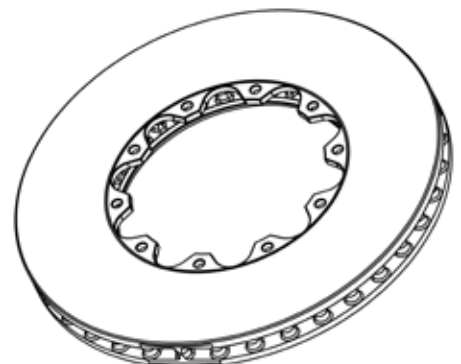
Kangaroo Paw



KANGAROO PAW

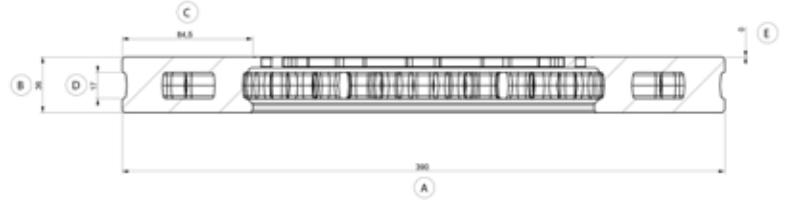


**'ROUND' HOLE
DETAIL**



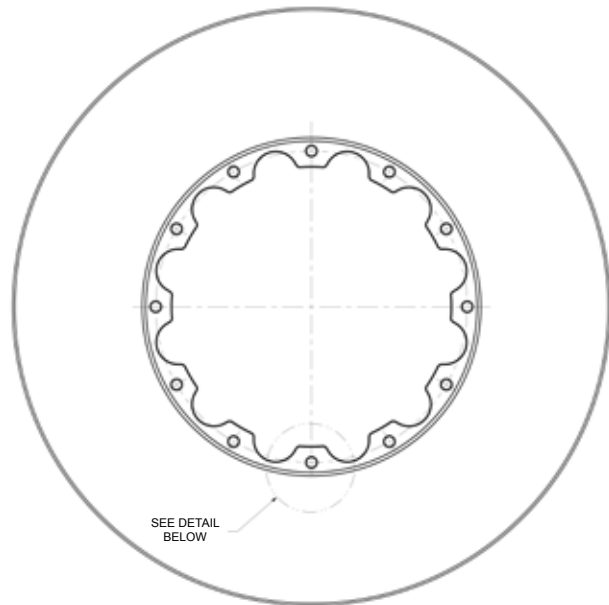
DBA Part No. **DBA 53940.1**

(Supplied with 1/4" UNF NAS crimp nuts)



Technical Specifications

A Diameter (mm)	390
B Thickness (mm)	36
C Annulus (mm) (Maximum useable pad width)	84.5
D Air Gap (mm)	17
E Offset (mm)	0
F Dia. & No. of Bolt holes (mm)	6.4 x 12
Weight (kg)	14.37



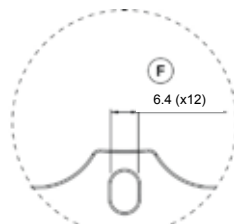
Vent Design



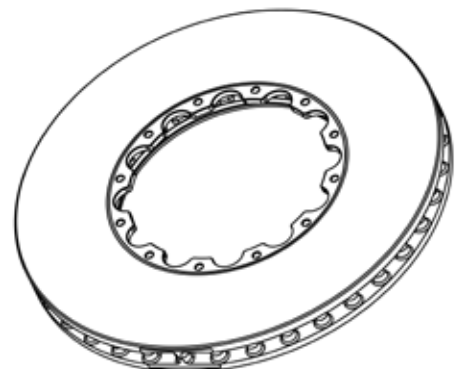
Kangaroo Paw



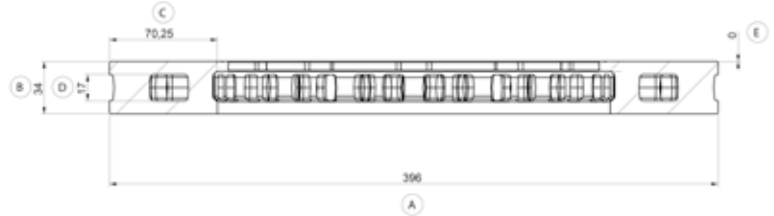
KANGAROO PAW



**'ELONGATED' HOLE
DETAIL**

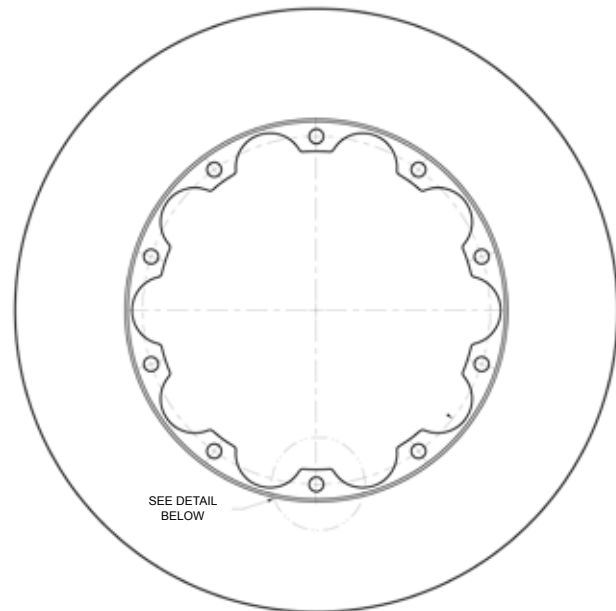


DBA Part No. **DBA 52372.1**



Technical Specifications

A Diameter (mm)	396
B Thickness (mm)	34
C Annulus (mm) (Maximum useable pad width)	70.25
D Air Gap (mm)	17
E Offset (mm)	0
F Dia. & No. of Bolt holes (mm)	9 (x10)
Weight (kg)	11.7



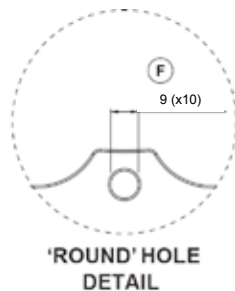
Vent Design



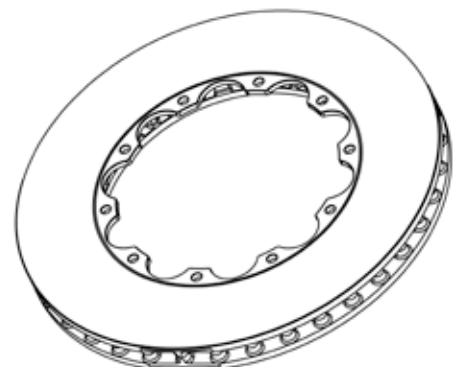
Kangaroo Paw



KANGAROO PAW

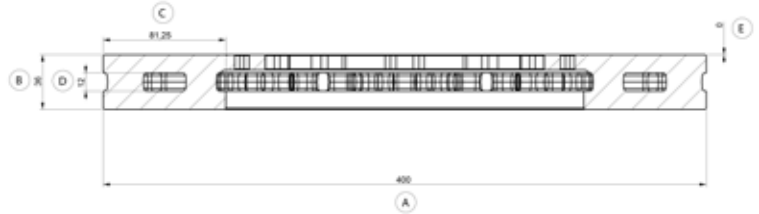


**'ROUND' HOLE
DETAIL**



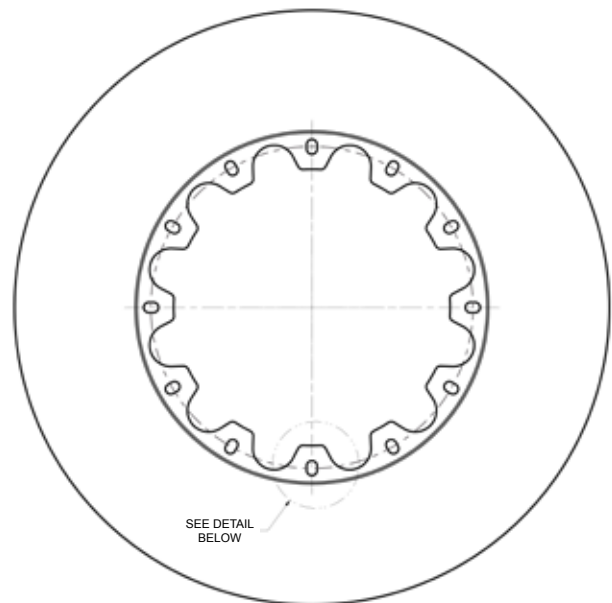
DBA Part No. **DBA 53919.1**

(Supplied with 1/4" UNF NAS crimp nuts)



Technical Specifications

A	Diameter (mm)	400
B	Thickness (mm)	36
C	Annulus (mm) (Maximum useable pad width)	81.25
D	Air Gap (mm)	12
E	Offset (mm)	0
F	Dia. & No. of Bolt holes (mm)	6.4 x 12
	Weight (kg)	16.6



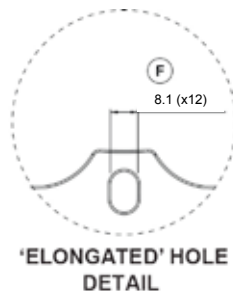
Vent Design



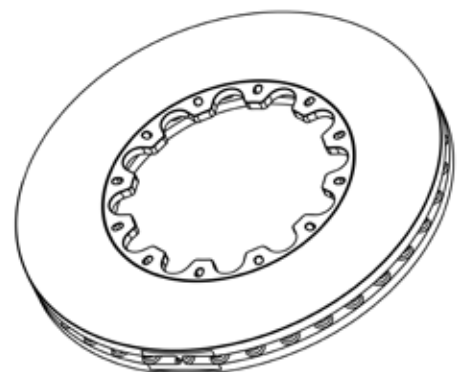
Kangaroo Paw



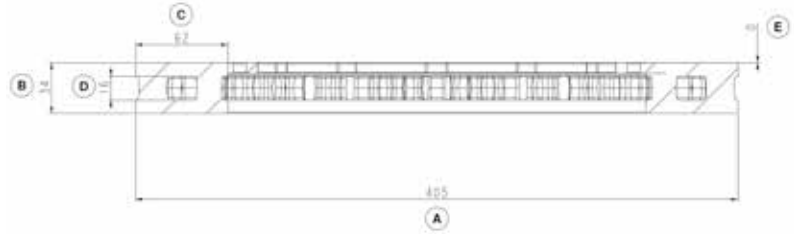
KANGAROO PAW



**'ELONGATED' HOLE
DETAIL**

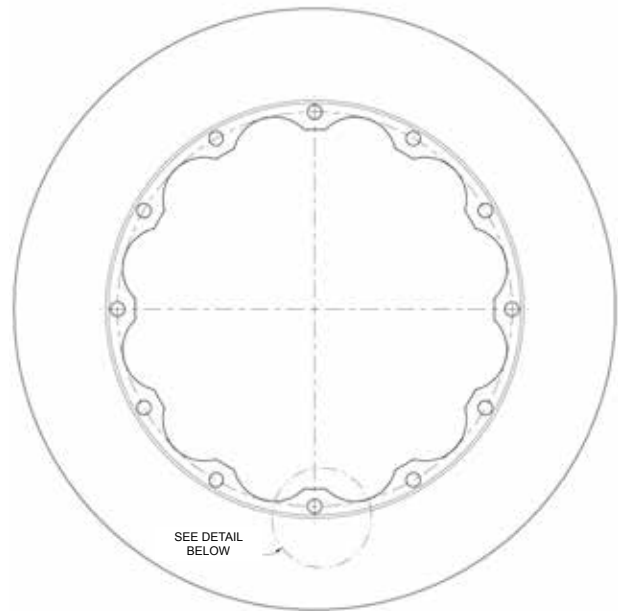


DBA Part No. **DBA 57890.1**



Technical Specifications

A	Diameter (mm)	405
B	Thickness (mm)	34
C	Annulus (mm) (Maximum useable pad width)	62
D	Air Gap (mm)	16
E	Offset (mm)	0
F	Dia. & No. of Bolt holes (mm)	9 (x12)
	Weight (kg)	11.85



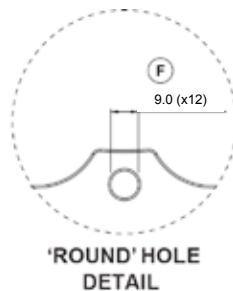
Vent Design



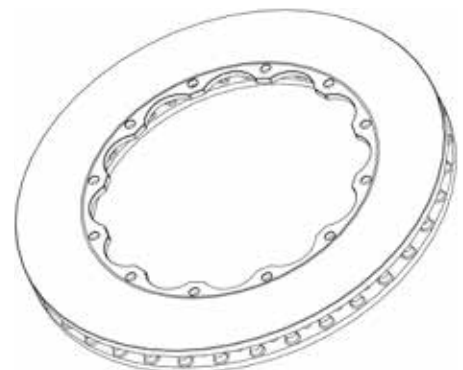
Kangaroo Paw



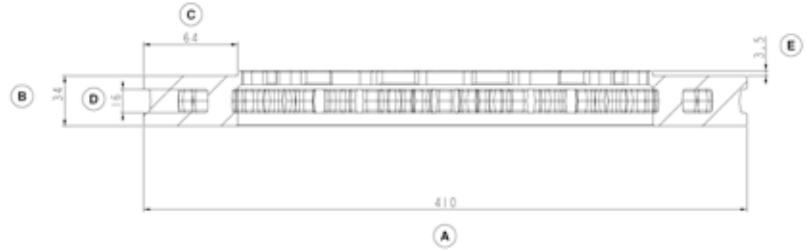
KANGAROO PAW



**'ROUND' HOLE
DETAIL**

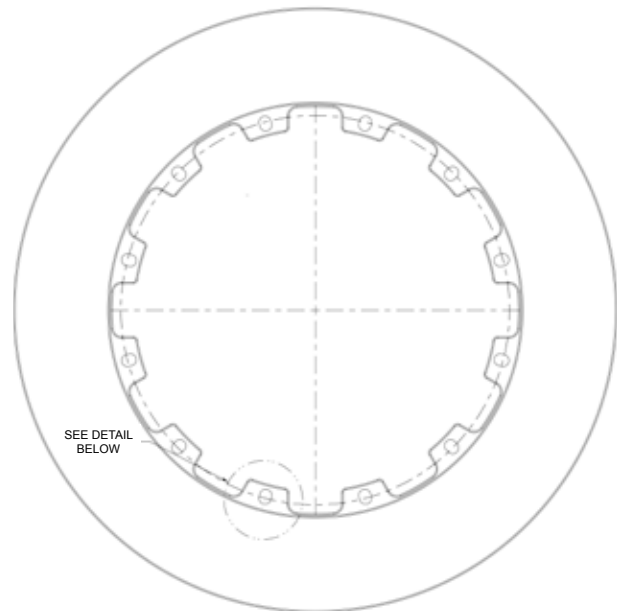


DBA Part No. **DBA 52926.1**



Technical Specifications

A	Diameter (mm)	410
B	Thickness (mm)	34
C	Annulus (mm) (Maximum useable pad width)	64
D	Air Gap (mm)	16
E	Offset (mm)	+ 3.5
F	Dia. & No. of Bolt holes (mm)	8.2 (x12)
	Weight (kg)	11.17



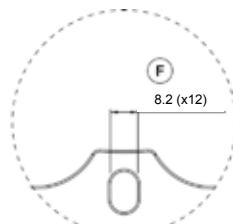
Vent Design



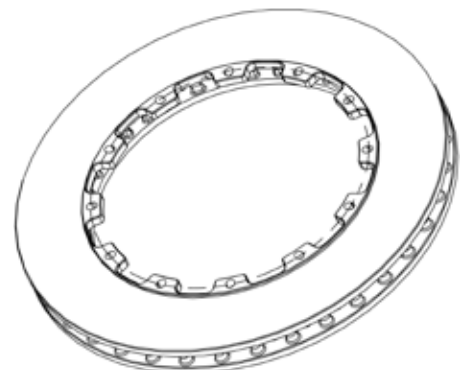
Kangaroo Paw



KANGAROO PAW



**'ELONGATED' HOLE
DETAIL**

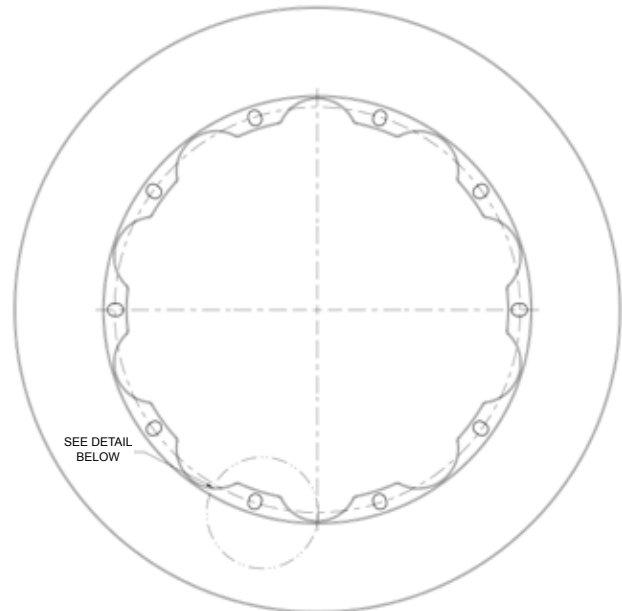


DBA Part No. **DBA 52931.1**



Technical Specifications

A Diameter (mm)	410
B Thickness (mm)	34
C Annulus (mm) (Maximum useable pad width)	60
D Air Gap (mm)	16
E Offset (mm)	+ 2.5
F Dia. & No. of Bolt holes (mm)	8.2 (x10)
Weight (kg)	10.6



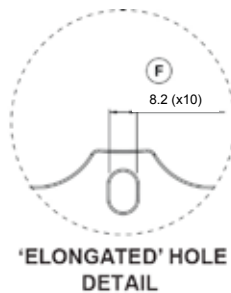
Vent Design



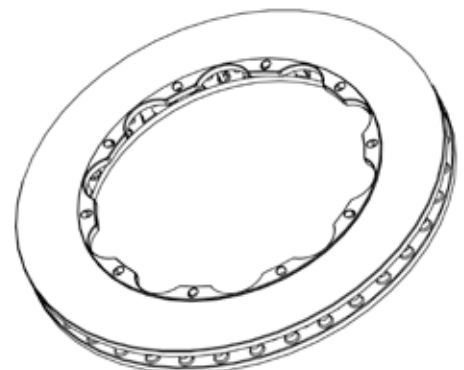
Kangaroo Paw



KANGAROO PAW



**'ELONGATED' HOLE
DETAIL**

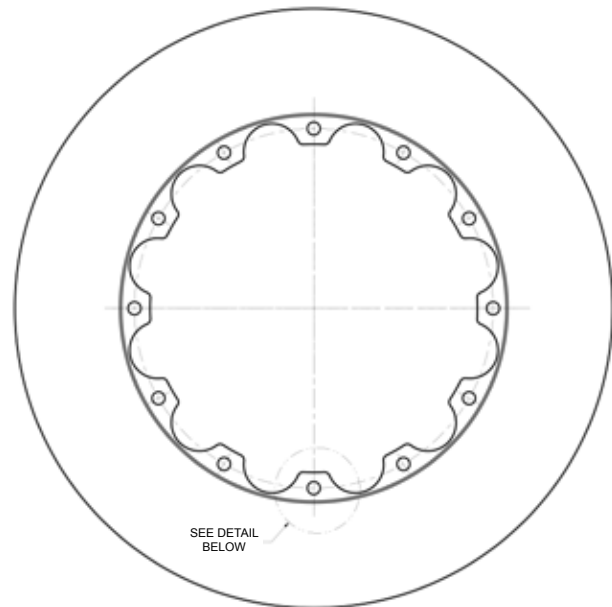


DBA Part No. **DBA 53920.1**



Technical Specifications

A	Diameter (mm)	410
B	Thickness (mm)	36
C	Annulus (mm) (Maximum useable pad width)	72
D	Air Gap (mm)	19
E	Offset (mm)	0
F	Dia. & No. of Bolt holes (mm)	8.25 (x12)
	Weight (kg)	13.15



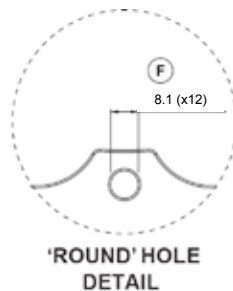
Vent Design



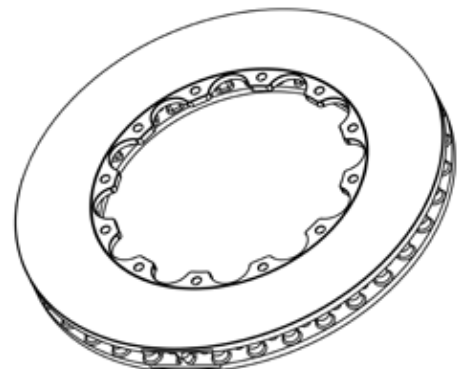
Kangaroo Paw



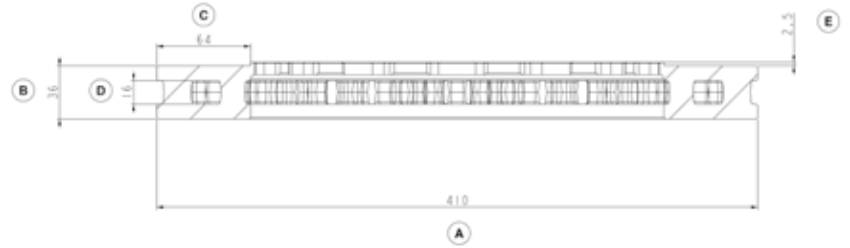
KANGAROO PAW



**'ROUND' HOLE
DETAIL**

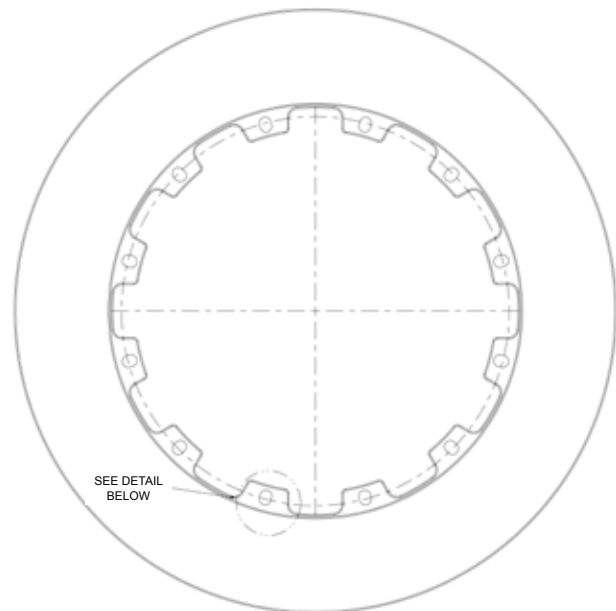


DBA Part No. **DBA 52930.1**



Technical Specifications

A	Diameter (mm)	410
B	Thickness (mm)	36
C	Annulus (mm) (Maximum useable pad width)	64
D	Air Gap (mm)	16
E	Offset (mm)	+ 2.5
F	Dia. & No. of Bolt holes (mm)	8.2 (x12)
	Weight (kg)	12.1



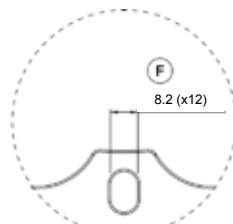
Vent Design



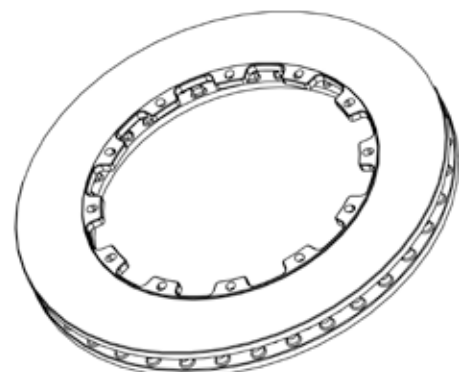
Kangaroo Paw



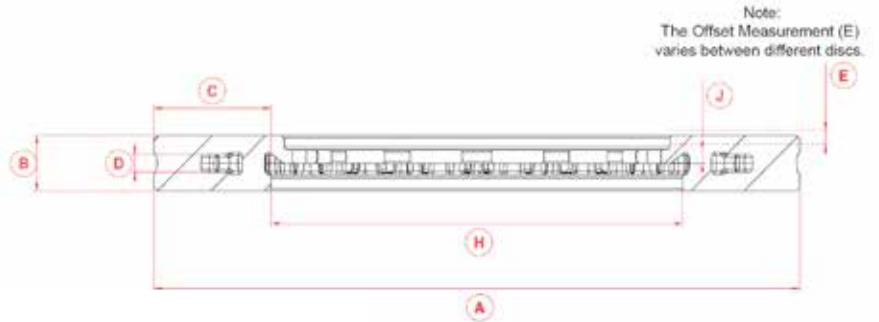
KANGAROO PAW



**'ELONGATED' HOLE
DETAIL**

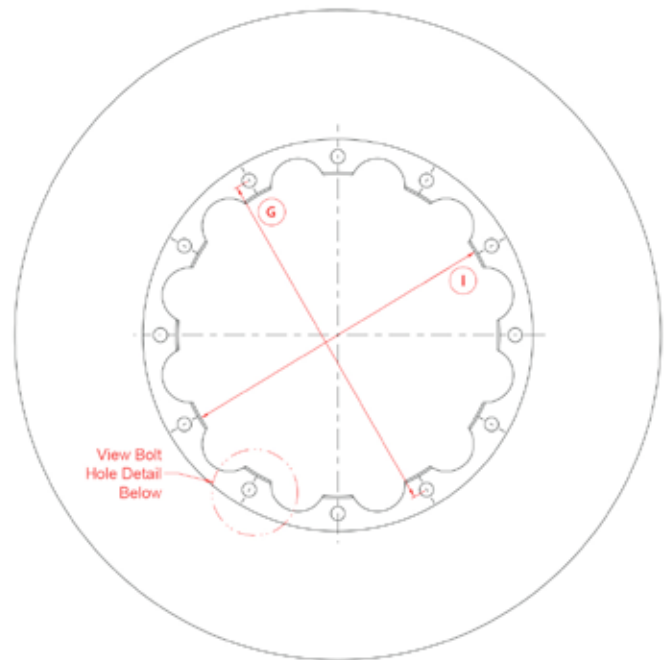


Alternate Part or Cross Reference Notes:



Technical Specifications

- A** Diameter: mm.
- B** Thickness: mm.
- C** Annulus: mm.
Maximum useable pad width.
- D** Air Gap: mm.
- E** Offset: mm.
Flat (0), Raised (+) or Recessed (-).
- F** Bolt Hole Dimension: mm.
(Hole size - view diagram below)
No. of Bolt holes:
- G** Pitch Circle Diameter (P.C.D.): mm.
- H** Inside Diameter: mm.
- I** Flange Inside Diameter: mm.
- J** Flange Thickness: mm.

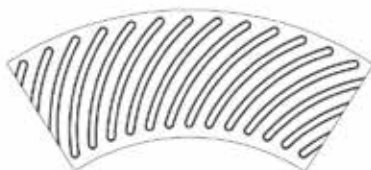


Ventilation: Kangaroo Paw or Curved Vane: _____.



KANGAROO PAW

OR



CURVED VANE



"ROUND" BOLT HOLE DETAIL

OR



"OVAL" BOLT HOLE DETAIL



Part Number Contents

Part Number	Dimensions	Page	Part Number	Dimensions	Page	Part Number	Dimensions	Page
DBA Radical II	281.5mm x 26mm	6	DBA52396.1	350mm x 34mm	81	DBA52923.1L/R	355mm x 32mm	90
DBA2978.1	350mm x 13mm	74	DBA52399.1	380mm x 32mm	136	DBA52926.1	410mm x 34mm	163
DBA2979.1	325mm x 10.1mm	29	DBA52448.1	356mm x 32mm	99	DBA52928.1L/R	378mm x 31.75mm	126
DBA42999	254mm x 9.65mm	2	DBA52468.1	320mm x 27mm	24	DBA52930.1	410mm x 36mm	166
DBA4993	248mm x 7mm	1	DBA52500.1	300mm x 25mm	15	DBA52931.1	410mm x 34mm	164
DBA5000.1	295mm x 25mm	10	DBA52510.1	300mm x 28mm	16	DBA52932.1L/R	378mm x 35.6mm	127
DBA5003.1	277.8mm x 15.9mm	4	DBA52525.1	320mm x 28mm	25	DBA52933.1L/R	380mm x 32mm	135
DBA5010.1	295mm x 25mm	11	DBA52545.1	280mm x 21mm	5	DBA52934.1	350mm x 22mm	75
DBA5040.1	296mm x 28mm	13	DBA52546.1	273mm x 9mm	3	DBA52935.1	330mm x 28mm	42
DBA5046.1	328mm x 28mm	33	DBA52592.1	360mm x 36mm	104	DBA52936.1	370mm x 36mm	121
DBA5048.1L/R	330mm x 32mm	46	DBA52604.1	355mm x 32mm	85	DBA52938.1	380mm x 38mm	148
DBA5055.1	343mm x 32mm	65	DBA52608.1L/R	370mm x 34mm	117	DBA52939.1	343mm x 32mm	66
DBA5100.1L/R	330mm x 34mm	48	DBA52619.1	330mm x 26mm	41	DBA52943.1	365mm x 32mm	110
DBA52019.1	350mm x 32mm	78	DBA52632.1	380mm x 34mm	141	DBA52945.1	350mm x 34mm	82
DBA52024.1	362mm x 32mm	106	DBA52644.1	350mm x 28mm	77	DBA52946.1	328mm x 32mm	35
DBA52030.1	365mm x 32mm	109	DBA52645.1	360mm x 28mm	102	DBA52968.1	350mm x 25mm	76
DBA52037.1	362mm x 32mm	107	DBA52650.1	316mm x 30mm	20	DBA52970.1	380mm x 28mm	130
DBA52066.1	367mm x 32mm	114	DBA52690.1	360mm x 36mm	105	DBA52971.1	380mm x 28mm	131
DBA52068.1L/R	390mm x 35.6mm	153	DBA52750.1	355mm x 32mm	88	DBA52972.1L/R	380mm x 36mm	146
DBA52069.1	372mm x 28mm	122	DBA52770.1L/R	370mm x 34mm	118	DBA52973.1L/R	304mm x 34mm	18
DBA52071.1	378mm x 36mm	128	DBA52771.1	365mm x 26mm	108	DBA52974.1L/R	328mm x 28mm	34
DBA52072.1	378mm x 36mm	129	DBA52774.1	380mm x 36mm	145	DBA52975.1	330mm x 28mm	43
DBA52073.1	355mm x 32mm	86	DBA52778.1	385mm x 36mm	149	DBA52980.1	390mm x 36mm	154
DBA52075.1	355mm x 32mm	87	DBA52804.1	360mm x 32mm	103	DBA52990.1	340mm x 32mm	61
DBA52102.1	355.6mm x 32mm	96	DBA52808.1	345mm x 30mm	68	DBA52992.1	355mm x 32mm	89
DBA52112.1	338mm x 32mm	57	DBA52808.1-V2	345mm x 30mm	69	DBA52994.1	325mm x 32mm	31
DBA52113.1	319mm x 30mm	21	DBA52808.1W	345mm x 30mm	70	DBA53000.1	390mm x 36mm	155
DBA52120.1	320mm x 25mm	23	DBA52808.1W-V2	345mm x 30mm	71	DBA53000.1W	390mm x 36mm	156
DBA52123.1	320mm x 22mm	22	DBA52828.1L/R	334mm x 32mm	53	DBA53001.1	356mm x 28mm	97
DBA52124.1	355mm x 32mm	92	DBA52830.1	340mm x 30mm	59	DBA53146.1	345mm x 30mm	72
DBA52134.1	336mm x 28mm	56	DBA52830.1W	340mm x 30mm	60	DBA53298.1	380mm x 30mm	132
DBA52165.1	330mm x 25.4mm	38	DBA52834.1	365mm x 34mm	111	DBA53359.1	360mm x 26mm	100
DBA52196.1	343mm x 29mm	63	DBA52834.1W	365mm x 34mm	112	DBA5355.1L/R	282mm x 25.9mm	7
DBA52199.1	336mm x 24mm	55	DBA52835.1	330mm x 32mm	36	DBA53900.1	285mm x 24mm	8
DBA52218.1	320mm x 32mm	26	DBA52835.1W	330mm x 22mm	37	DBA53901.1	390mm x 36mm	157
DBA52223.1	350mm x 32mm	79	DBA52838.1	365mm x 34mm	113	DBA53903.1	380mm x 34mm	142
DBA52224.1	350mm x 32mm	80	DBA52842.1	370mm x 32mm	116	DBA53910.1	356mm x 30mm	98
DBA52231.1L/R	308mm x 26mm	19	DBA52844.1	370mm x 34mm	119	DBA53911.1	355mm x 32mm	95
DBA52280.1	360mm x 30mm	101	DBA52844.1W	370mm X 34mm	120	DBA53916.1	390mm x 36mm	158
DBA52286.1	370mm x 30mm	115	DBA52858.1	348mm x 30mm	73	DBA53919.1	400mm x 36mm	161
DBA52288.1	335mm x 30mm	54	DBA52880.1	325mm x 28mm	30	DBA53920.1	400mm x 36mm	165
DBA52314.1	355mm x 32mm	91	DBA52900.1	380mm x 32mm	137	DBA53921.1	380mm x 36mm	147
DBA52320.1	380mm x 34mm	139	DBA52901.1	334mm x 28mm	52	DBA53940.1	390mm x 36mm	159
DBA52321.1	380mm x 30mm	134	DBA52902.1	378mm x 32mm	125	DBA5654.1	326mm x 30mm	32
DBA52322.1	380mm x 34mm	140	DBA52903.1	332mm x 26mm	49	DBA57330.1	330mm x 25.4mm	39
DBA52323.1	380mm x 30mm	133	DBA52905.1	355mm x 32mm	93	DBA57830.1	330mm x 28.2mm	44
DBA52349.1	330mm x 25.5mm	40	DBA52906.1L/R	355mm x 32mm	94	DBA57888.1L/R	332mm x 32mm	51
DBA52355.1	288mm x 26mm	9	DBA52908.1L/R	332mm x 32mm	50	DBA57890.1	405mm x 34mm	162
DBA52358.1	296mm x 26mm	12	DBA52909.1	355mm x 26mm	83	DBA57904.1L/R	330mm x 32mm	45
DBA52366.1	340mm x 28mm	58	DBA52910.1	390mm x 34mm	152	DBA5928.1	324mm x 30mm	28
DBA52370.1L/R	390mm x 34mm	150	DBA52914.1L/R	375mm x 36mm	124	DBA59382.1L/R	380mm x 32mm	138
DBA52372.1	396mm x 34mm	160	DBA52915.1	345mm x 28mm	67	DBA59384.1L/R	380mm x 34mm	143
DBA52379.1	390mm x 34mm	151	DBA52916.1	355mm x 28mm	84	DBA7056.1	343mm x 32mm	64
DBA52385.1L/R	380mm x 35mm	144	DBA52918.1	343mm x 28mm	62	DBA92190.1L/R	375mm x 35.6mm	123
DBA52386.1	330mm x 34mm	47	DBA52919.1L/R	298.5mm x 31.8mm	14	Flat Disc Enquiry Form		167
DBA52390.1	322mm x 32mm	27	DBA52921.1L/R	304mm x 32mm	17			

WARRANTY STATEMENT



Standard Communications Warranty against defects

IMPORTANT: THIS WARRANTY APPLIES TO ALL GOODS SOLD BY US ON OR AFTER 1 JANUARY 2012 AND IT REPLACES ANY PREVIOUS WARRANTY STATEMENTS IN RELATION TO SUCH GOODS.

1. This warranty against defects ("Warranty") is given by Disc Brakes Australia Pty Ltd ABN 12 003 543 995 of address Unit 33 / 2 Slough Avenue Silverwater NSW 2128 Australia ("We, Us, Our or DBA").

This Warranty only applies to products purchased in Australia. Please contact your local DBA distributor for products sold outside of Australia. Local distributor details at <http://www.dba.com.au/where-to-buy/>

WARRANTY

2.1 We warrant, to the original purchaser ("You") that Our goods will be free from defects in materials and workmanship for 12 months or 20,000 kms (12,000 miles) from the date of purchase whichever occurs earlier ("Warranty Period), provided that subject to

Our obligations under clause 2.3, We will at Our option either repair or replace goods where;

- (a) We are satisfied that the goods are defective; and
- (b) Freight charges both ways are paid for by You and We accept no liability for loss or damage during transit.

2.2 No repair or replacement during the Warranty Period will renew or extend the Warranty specified in this clause;

2.3 Our goods come with guarantees that cannot be excluded under the Australian Consumer Law. You are entitled to a replacement or refund for a major failure and for compensation for any other reasonably foreseeable loss or damage. You are also entitled to have the goods repaired or replaced if the goods fail to be of acceptable quality and the failure does not amount to a major failure.

2.4 Notwithstanding the preceding clause, Our liability in respect of a breach of a consumer guarantee, condition, warranty or other obligation made under this Warranty is limited, to the extent permissible by law, at our option to:

- (a) in the case of goods We supply;
 - (i) the replacement of the goods or the supply of equivalent goods;
 - (ii) the repair of the goods;
 - (iii) the payment of the cost of repairing the goods or of acquiring equivalent goods;
 - (iv) the payment of the cost of having the goods repaired.
- (b) in the case of services We supply;
 - (i) the supplying of the services again;
 - (ii) the cost of having the services supplied again.

2.5 To the extent permitted by law, all other warranties whether implied or otherwise, not set out in this Warranty are excluded and We are not liable in contract, tort (including, without limitation, negligence or breach of statutory duty) or otherwise to compensate You for:

- (i) any increased costs or expenses;
- (ii) any loss of profit, revenue, business, contracts or anticipated savings;
- (iii) any loss or expense resulting from a claim by a third party; or
- (iv) any special, indirect or consequential loss or damage of any nature whatsoever caused by Our failure in complying with our obligations.

2.6 We warrant that We will perform any Warranty services with reasonable care and skill and agree to investigate any complaint regarding our services made in good faith. To the extent permitted by law, Our liability in relation to such services is limited to matters set out in clause 2.4(b) provided that We are satisfied that the complaint is justified.

2.7 To make a claim pursuant to this Warranty You must, before the end of the Warranty Period, contact the reseller, distributor or workshop from where You purchased the product and follow their warranty claim instructions. In the event that the reseller or repairer is no longer trading, please phone DBA on 1800 730 039 where you will be assisted.

2.8 This Warranty is in addition to and does not limit, exclude or restrict your rights under the Competition and Consumer Act 2010 (Australia) or any other mandatory protection laws that may apply.

3. What this warranty does not cover

3.1 This warranty will not apply in relation to:

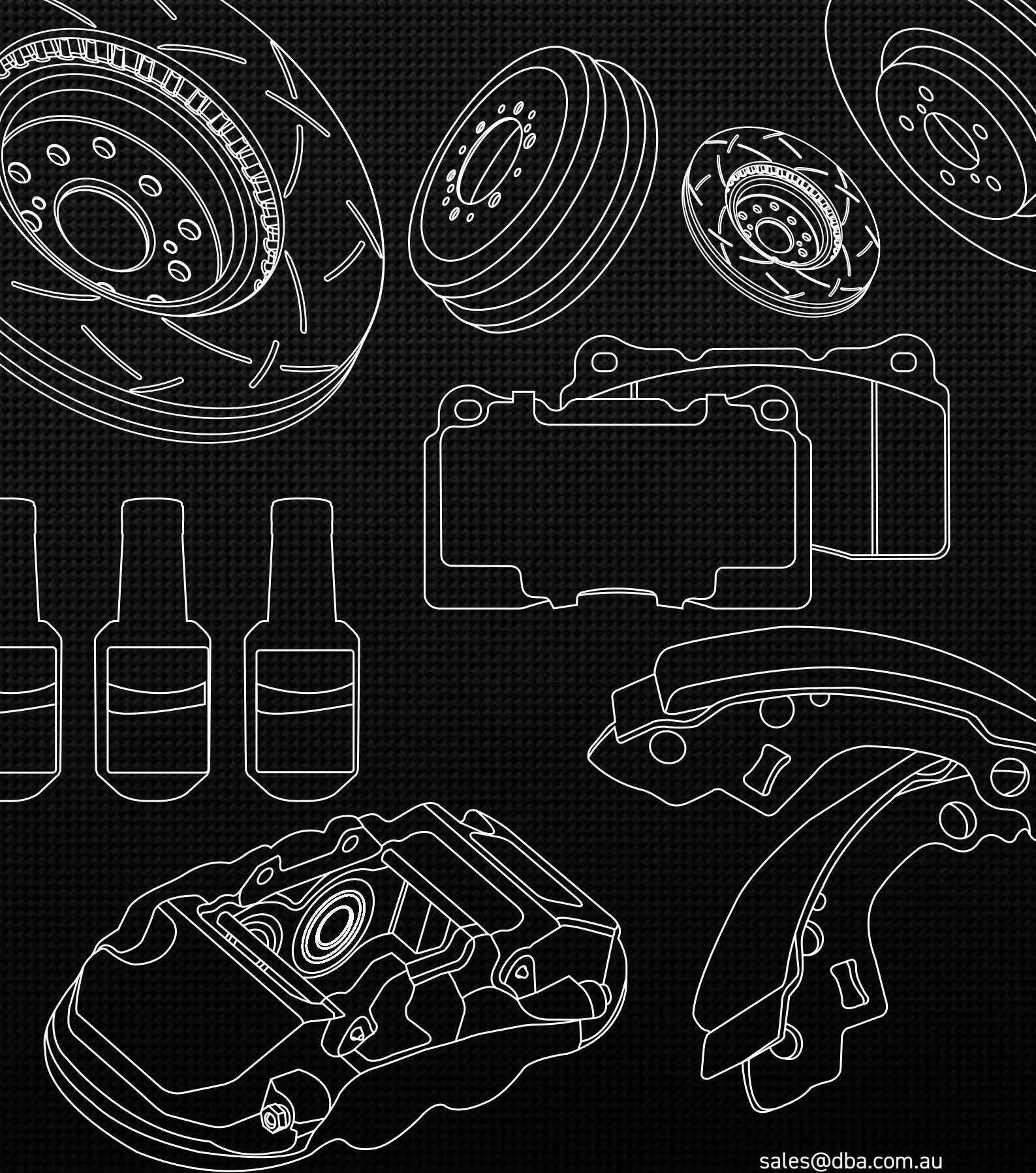
- (a) goods modified or altered in any way;
- (b) defects and damage caused by use with non standard tools
- (c) repairs performed other than by an authorised mechanical or brake expert;
- (d) defects or damage resulting from misuse, accident, impact or neglect;
- (e) goods improperly installed or used in a manner contrary to the relevant instruction manual; or
- (f) goods where the serial number part number on the product has been removed
- (g) all associated components are within recommended specifications
- (h) the rotor that has been subjected to conditions beyond those for which it was intended, such as, but not limited to, being used in any form of motor sport.

Motorsport Warranty Statement

DBA's warranty will not apply in relation to: use of the product for any form of motorsport or speed trial.

Whilst DBA promote its product for use in motor sport applications, DBA cannot warrant the product when used in any form of motor sport because it may be subjected to many variables that are not controllable (such as vehicle modifications, ie. wheels, tyres, suspension).

DBA cannot be held responsible for fitment if not installed by a licensed motor mechanic or licensed brake specialist, wear and tear and lack of maintenance, including situations, where DBA's product is used past the design limits.



Ph: +61 2 9748 0211

International calls

Ph: 1800 730 039

Toll free Australia only

sales@dba.com.au

dba.com.au



dba

DISC BRAKES AUSTRALIA

All rights reserved. ©Copyright 2021 Disc Brakes Australia Pty Ltd

All DBA® drawings listed in this catalogue are copyright of Disc Brakes Australia Pty Ltd